

# Conveyor Roller Catalog



## Company Introduction

Suzhou Zhisong Mould Co., Ltd. is located in Suzhou City, Jiangsu Province, China, close to Shanghai Port, with convenient export transportation.

Our company is a professional enterprise engaged in conveyor roller/electric roller/conveyor accessories. This catalog mainly introduces various conveying rollers.

Whether you need all kinds of rollers to make conveyors, or roller parts to make your own rollers, we are your best one-stop full-category supplier.

Our company produces more than 1 million conveyor components for customers every year. From the United States, Europe, Asia and other continents, the quality is reliable and stable.

We supply a complete line of standard and custom rollers and components to equipment manufacturers, distributors, traders and frontline shops worldwide. After years of development, the company has strong production and research and development capabilities, and can provide OEM services.

## Suzhou Zhisong Mould Co., Ltd

**Conveyor Parts Manufacturer from P.R.C**

Add: No.216, Zhangjiagang Free Trade Zone, Zhangjiagang City, Jiangsu province, China

WhatsApp/wechat: +86-18261518853

Email1: szzsroller@163.com

Email2: gavin@szzsroller.com

Web: [www.szzsroller.com](http://www.szzsroller.com)

# Product Contents

## Gravity Conveyor Roller Series ..... 04-11

<b>Model 1200L</b> Light Duty Gravity Roller-Spring Loaded .....	05
<b>Model 1200T</b> Light Duty Gravity Roller-Female Threaded .....	06
<b>Model 1200M</b> Light Duty Gravity Roller-Flat Milled .....	07
<b>Model 1800L</b> Medium/Heavy Duty Gravity Roller-Spring Loaded .....	09
<b>Model 1800T</b> Medium/Heavy Duty Gravity Roller-Female Threaded .....	10
<b>Model 1800M</b> Medium/Heavy Duty Gravity Roller-Flat Milled .....	11

## Driven Conveyor Roller Series ..... 12-22

<b>Model 2411</b> Steel Single Sprocket Roller With Plastic Roller Bearing .....	13
<b>Model 2421</b> Steel Double Sprocket Roller With Plastic Roller Bearing .....	14
<b>Model 2311</b> Steel Single Sprocket Roller With Steel Roller Bearing .....	15
<b>Model 2321</b> Steel Double Sprocket Roller With Steel Roller Bearing .....	16
<b>Model 2322</b> Steel Double Sprocket Roller With Flange .....	17
<b>Model 2230</b> Single Grooved O-Belt Roller .....	18
<b>Model 2240</b> Double Grooved O-Belt Roller .....	19
<b>Model 2250</b> Poly-Vee Pulley Roller .....	20
<b>Model 2260</b> Double Grooved O-Belt Pulley Roller .....	21
<b>Model 2280</b> Timing Belt Pulley Roller .....	22

## Accumulation Conveyor Roller Series ..... 23-24

<b>Model 3211</b> Steel Single Sprocket Friction Accumulation Roller .....	23
<b>Model 3221</b> Steel Double Sprocket Friction Accumulation Roller .....	23
<b>Model 3816</b> Steel Single Sprocket Adjustable Accumulation Roller .....	24
<b>Model 3826</b> Steel Double Sprocket Adjustable Accumulation Roller .....	24

## Tapered Conveyor Roller Series ..... 25-30

<b>Model 1500</b> Gravity Tapered Roller-Steel Body .....	25
<b>Model 1600</b> Gravity Tapered Roller-Plastic Sleeve Body .....	26
<b>Model 2521</b> Double Sprocket Tapered Roller-Steel Body .....	27
<b>Model 2624</b> Double Sprocket Tapered Roller-Plastic Sleeve Body .....	28
<b>Model 2650</b> Poly-Vee Pulley Tapered Roller-Plastic Sleeve Body .....	29
<b>Model 2660</b> Double Grooved Pulley Roller-Plastic Sleeve Body .....	30

## Machined Belt Conveyor Roller Series ..... 31-32

<b>Model 3110</b> Rotating Shaft Roller With External Mounted Bearing .....	31
<b>Model 3120</b> Fixed Shaft Roller With Internal Mounted Bearing .....	32

# Product Contents

## **Customized Conveyor Roller Series ..... 33-37**

Machined Belt Conveyor With Seals .....	33
Polyurethane Coated Roller .....	33
PVC Soft Sleeve Coated Roller .....	33
Black Rubber Coated Roller .....	34
PVC Tube Roller .....	34
Double Grooved Roller .....	34
Machined Belt Conveyor Roller .....	35
Machined Belt Conveyor Roller With Knurling .....	35
Heavy Duty Polyurathane Coated Roller .....	36
Machined Belt Conveyor Roller With Rubber Coating .....	36
Machined Belt Conveyor Roller With Seals .....	36
Polyurethane Coated Conveyor Roller .....	37
Poly-Vee Pulley Roller With Anti-Static Ball .....	37
Machined Belt Conveyor Roller With Welded Housing .....	37
Machined Belt Conveyor Roller With Knurling .....	37

## Model 1200L+1200T+1200M

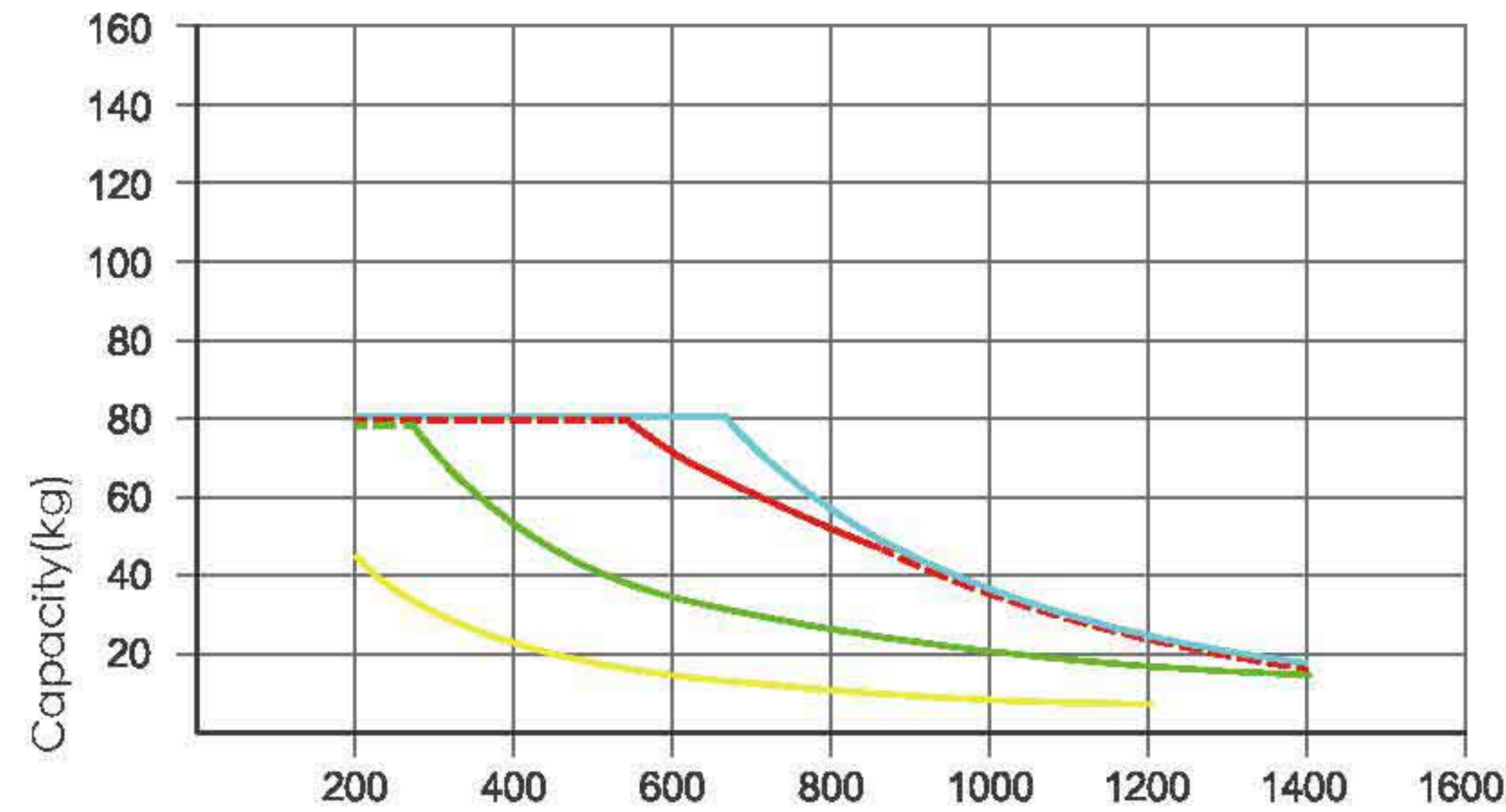
1, The Model 1200 roller is one of the commonest and most popular rollers. It's widely used in different transportation applications especially the carbons, boxes.

2, The main feature of this roller is the plastic bearing housing which consists of one precision ball bearing, one housing and one end cap.

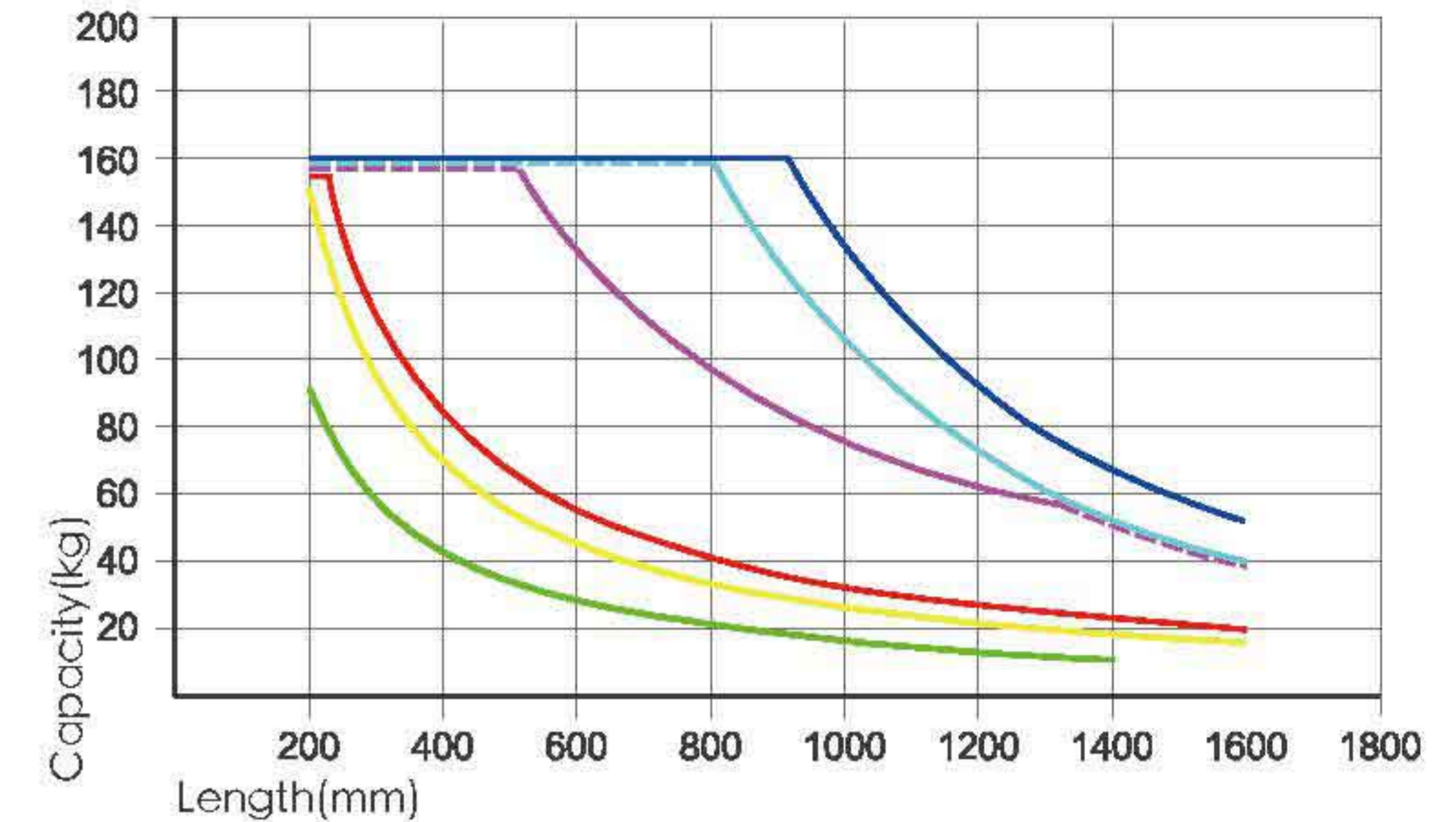
3, The plastic end cap prevents the dusts and scraps from going into the bearing and guarantee the longer bearing life.

4, The advantage of this roller is the spring loaded installation method. Because of this design, no matter you are going to assemble new conveyors, or just to replace some old broken conveyor rollers, you can just use your two hands without any tools to finish the job.

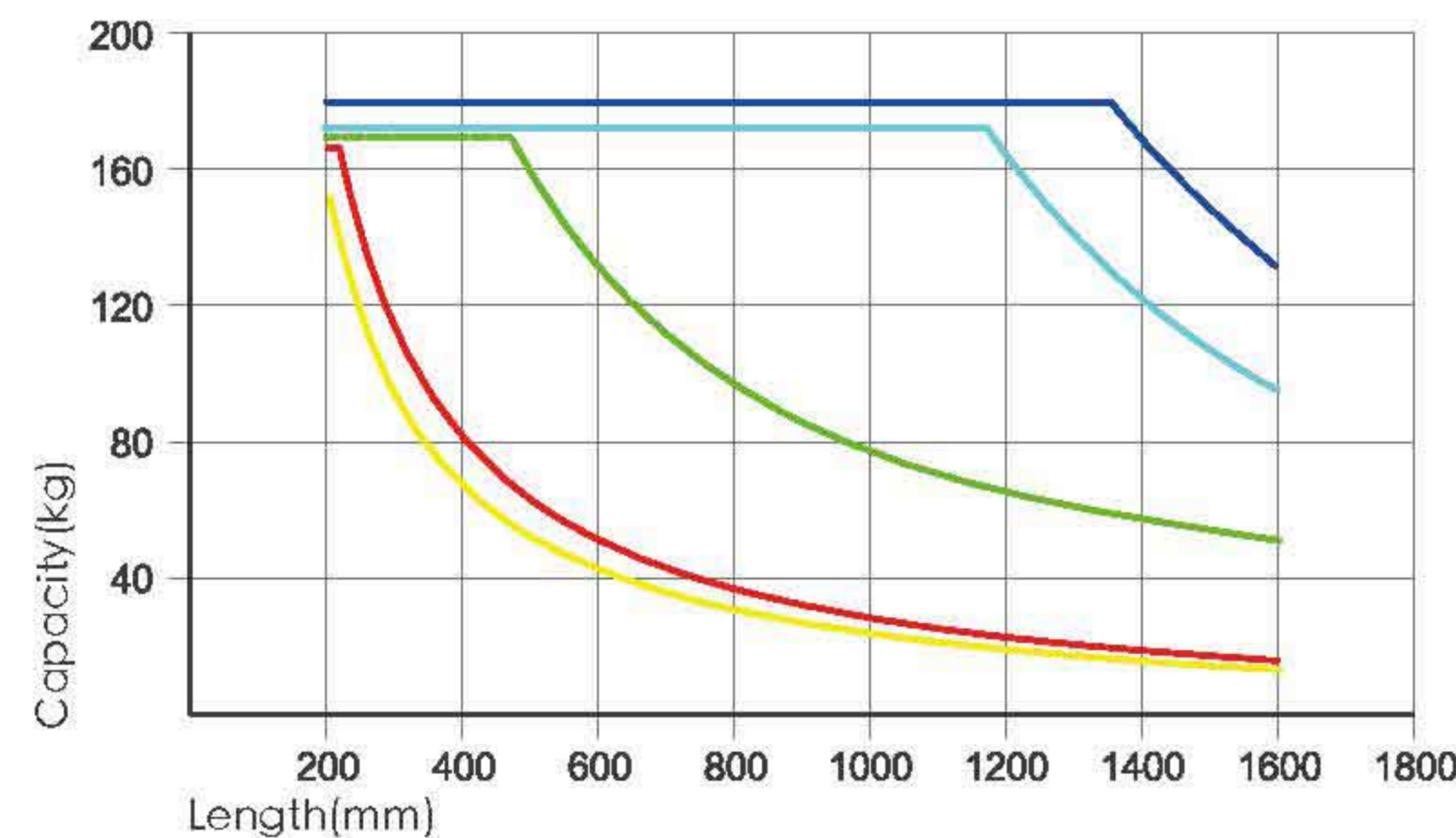
## Roller Load Capacity Table



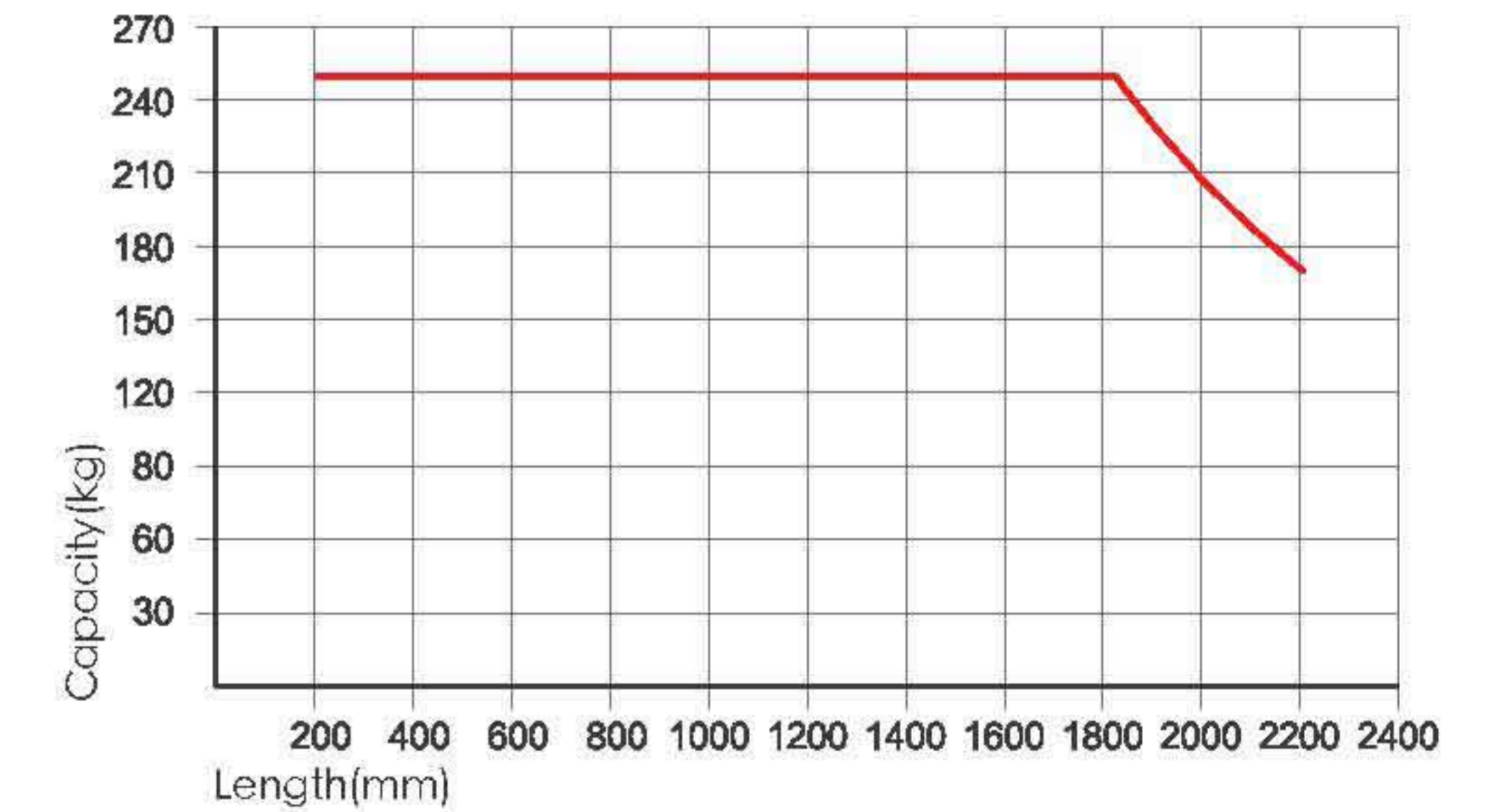
- Steel tube  $\varnothing 38 \times 1.2$ , shaft  $\varnothing 12$ , female threaded
- Steel tube  $\varnothing 38 \times 1.2$ , shaft  $\varnothing 12$ , spring loaded
- Steel tube  $\varnothing 38 \times 1.2$ , shaft  $\varnothing 10$ , spring loaded
- Steel tube  $\varnothing 38 \times 1.2$ , shaft  $\varnothing 8$ , spring loaded



- Steel tube  $\varnothing 50 \times 2.0$ , shaft  $\varnothing 12/15$ , female thread
- Steel tube  $\varnothing 50 \times 1.5$ , shaft  $\varnothing 12/15$ , female thread
- Steel tube  $\varnothing 50 \times 1.5$ , shaft  $\varnothing 15$ , flat milled
- Steel tube  $\varnothing 50 \times 1.5$ , shaft  $\varnothing 12$ , spring loaded
- Steel tube  $\varnothing 50 \times 1.5$ , shaft 11 hex, spring loaded
- Steel tube  $\varnothing 50 \times 1.5$ , shaft  $\varnothing 10$ , spring loaded



- Steel tube  $\varnothing 60 \times 3.0$ , shaft  $\varnothing 17$ , female threaded
- Steel tube  $\varnothing 60 \times 2.0$ , shaft  $\varnothing 12/15$ , female threaded
- Steel tube  $\varnothing 60 \times 2.0$ , shaft  $\varnothing 15$ , flat milled
- Steel tube  $\varnothing 60 \times 2.0$ , shaft  $\varnothing 12$ , spring loaded
- Steel tube  $\varnothing 60 \times 2.0$ , shaft 11 hex, spring loaded



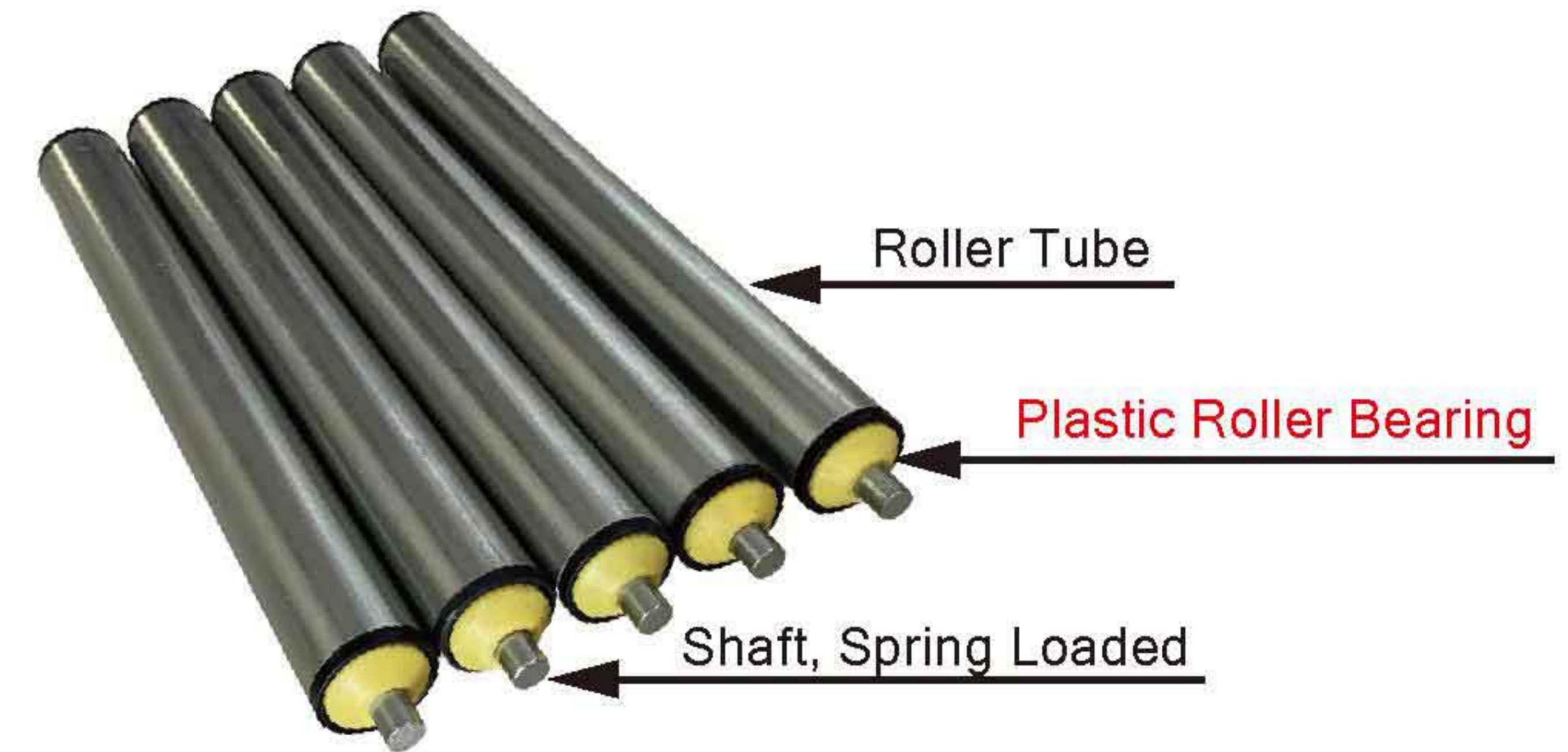
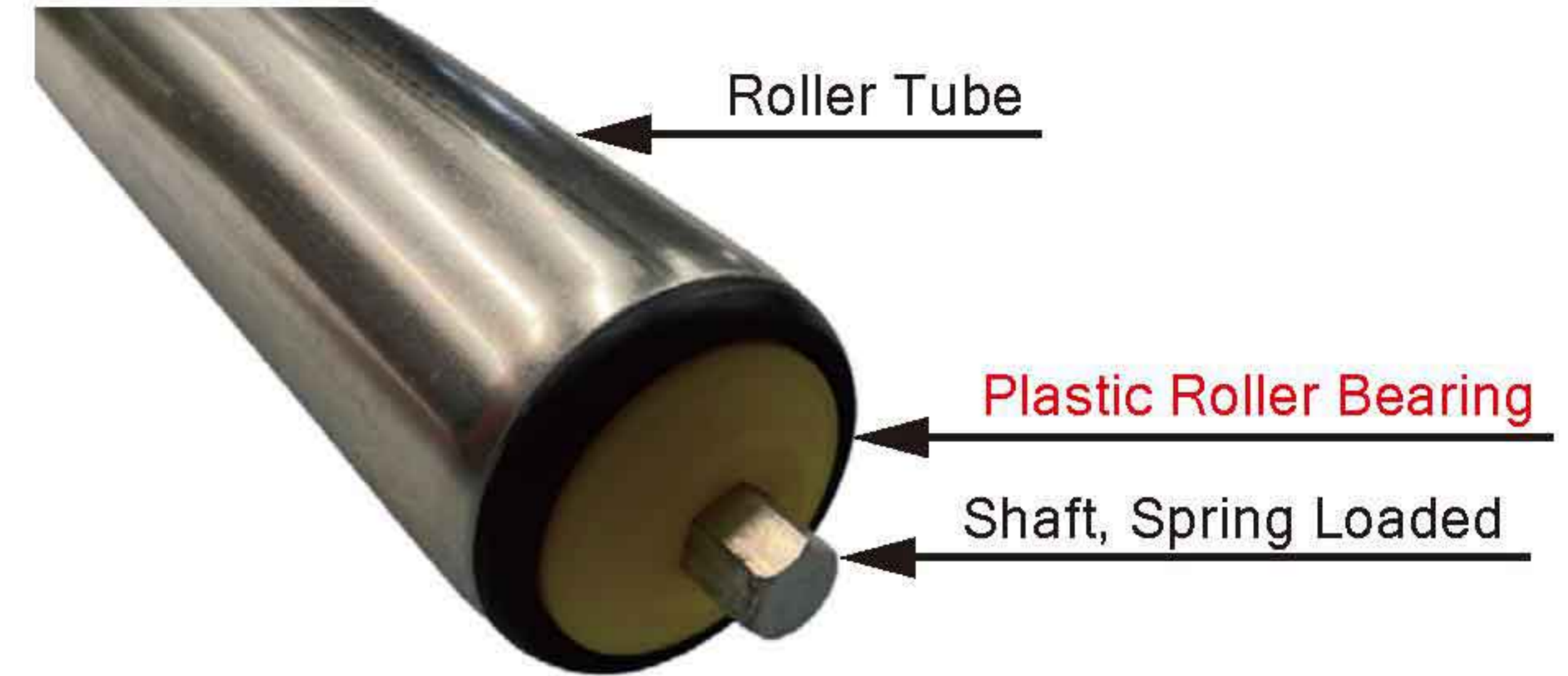
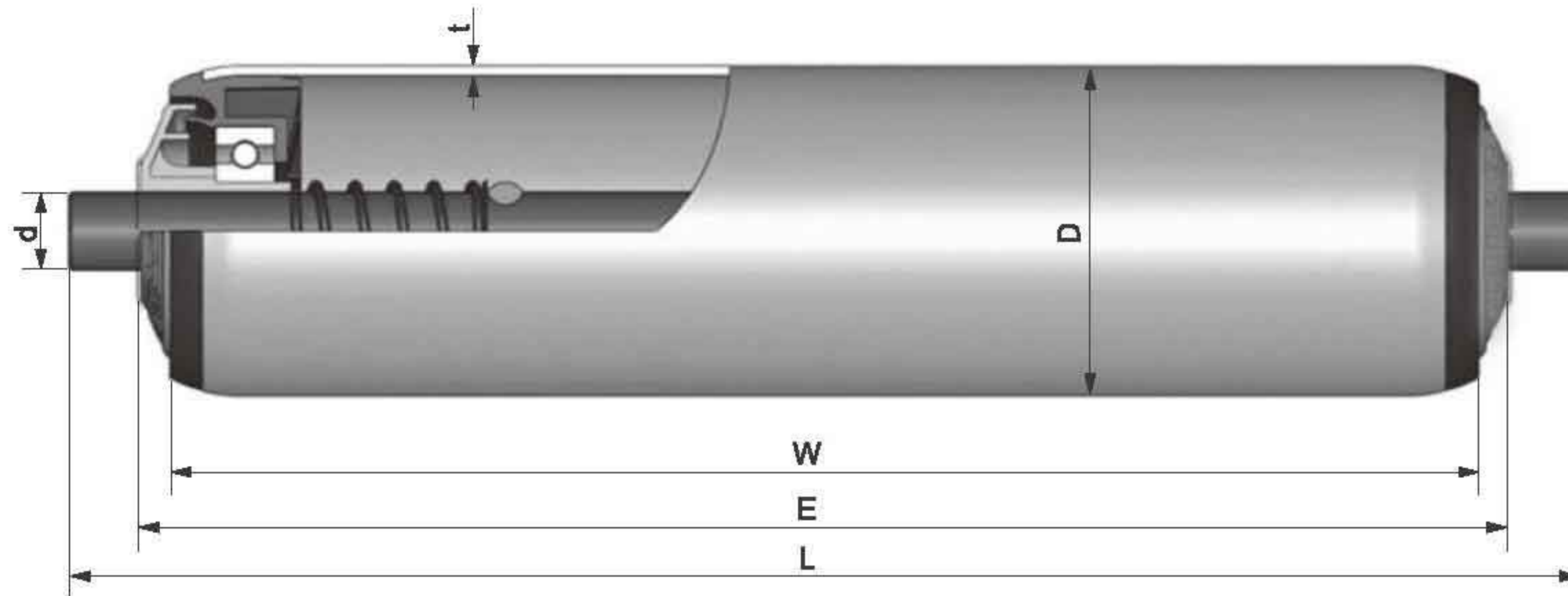
- Steel tube  $\varnothing 80 \times 3.0$ , shaft  $\varnothing 20$ , female thread

⚠ The above data shows the static load capacity of the roller for a uniformly distributed load.

1200L	1200T	1200M	1800L	1800T	1800M	2411	2421	2311	2321	2322	2230	2240	2250	2260	2280	3211
3221	3816	3826	1500	1600	2521	2624	2650	2660	3110	3120	C1	C2	C3	C4	C5	

# Gravity Conveyor Roller Series

## Model 1200L Spring Loaded



### Dimension Table

Tube Material	Tube Dia. x Thk.	Shaft Dia.	Dimension E&W	Dimension L&W
	D/mm	d/mm	E/mm	L/mm
Steel, Zinc Plated	Φ38x1.2	Φhex 11   Φ12	E=W+9	L=W+31
	Φ50x1.5	Φhex 11   Φ12	E=W+9	L=W+31
	Φ50x2.0	Φhex 11   Φ12	E=W+9	L=W+31
	Φ60x2.0	Φhex 11   Φ12	E=W+9	L=W+31
	Φ60x3.0	Φhex 11   Φ12	E=W+9	L=W+31
Stainless Steel 304	Φ38x1.2	Φhex 11   Φ12	E=W+9	L=W+31
	Φ50x1.5	Φhex 11   Φ12	E=W+9	L=W+31
	Φ60x2.0	Φhex 11   Φ12	E=W+9	L=W+31

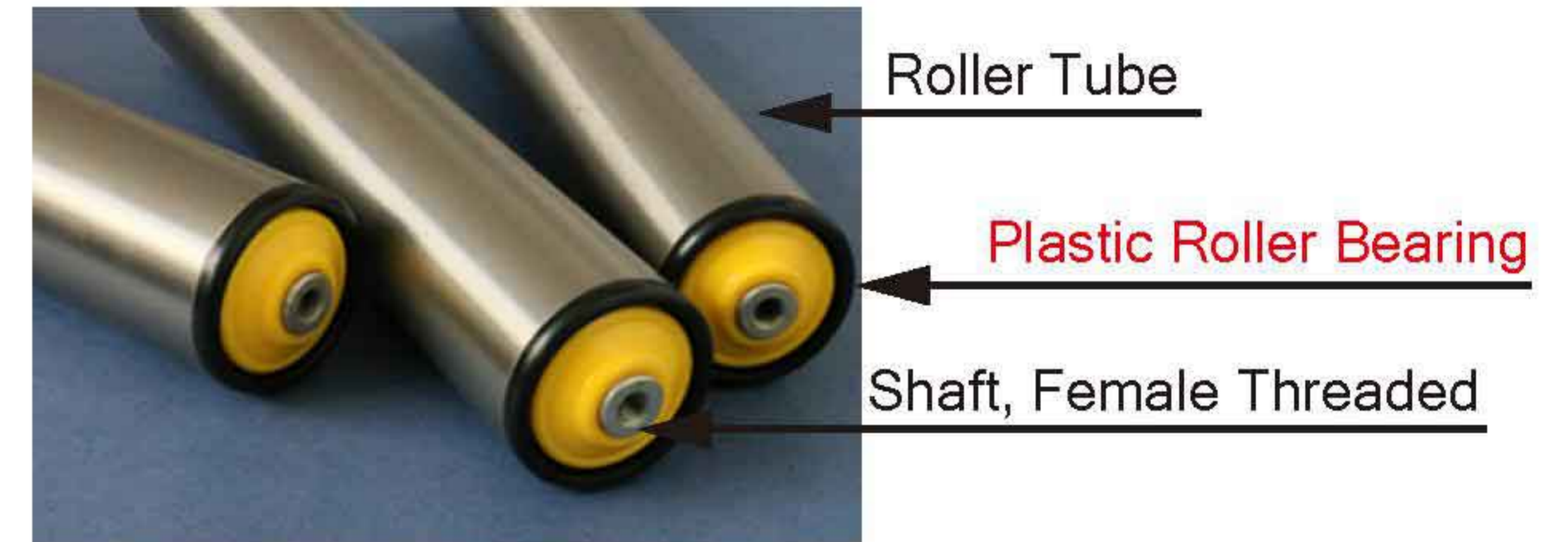
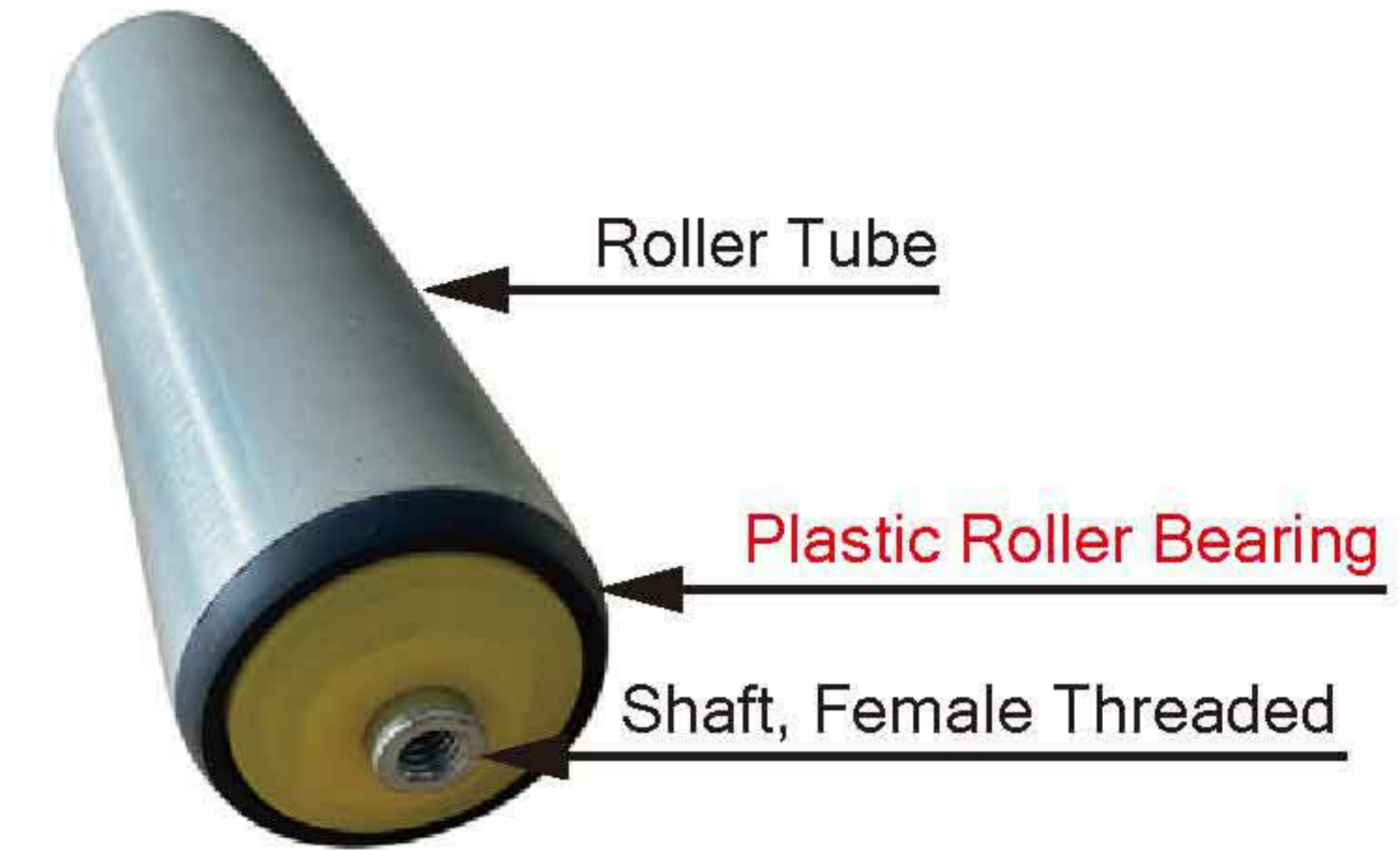
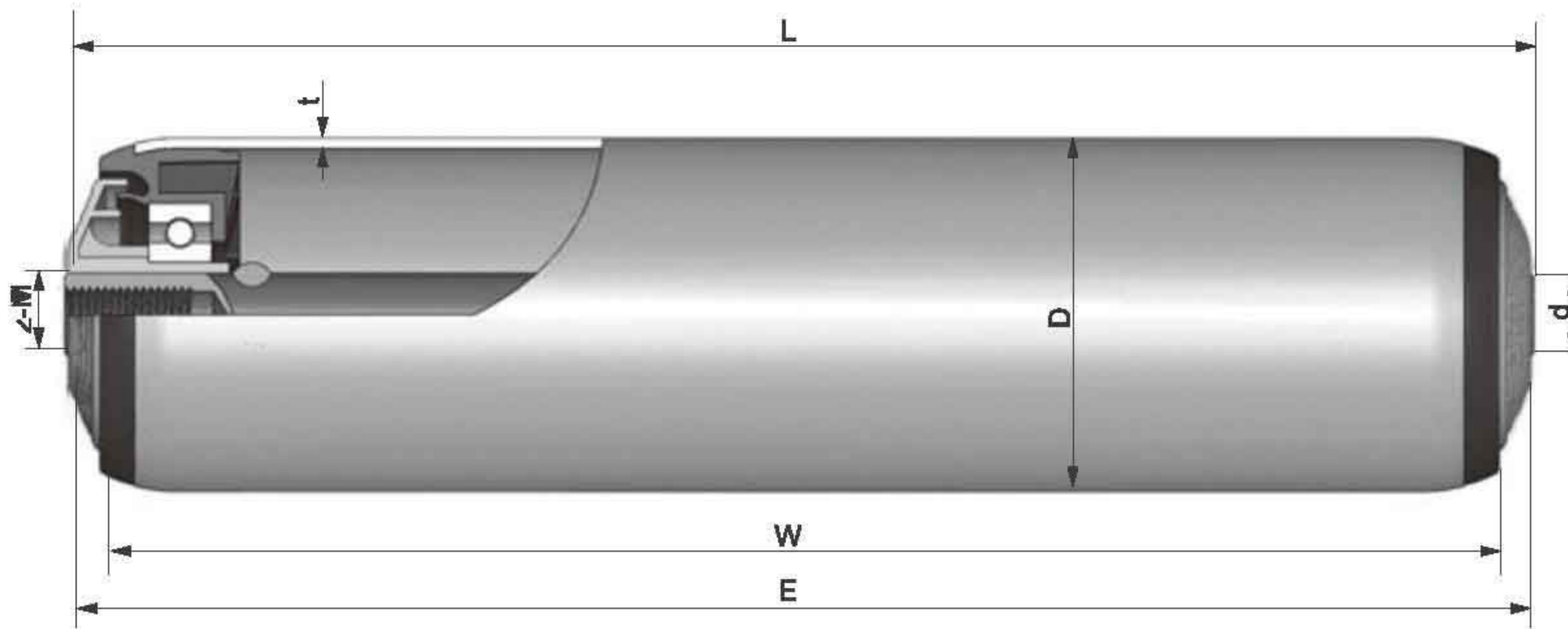
2mm | 3mm pvc soft sleeve is available for Φ38mm | Φ50mm | Φ60mm roller.

### Product Features

<b>Tube Material</b>	Steel, Zinc Plated/Stainless Steel 304   Aluminium
<b>Shaft Material</b>	Steel, Zinc Plated   Stainless Steel 304
<b>Roller Bearing</b>	Bearing Housing: Plastic, Black
	End Cap: Plastic, Yellow
	Bearing Number: 6002   6003   6804
	<a href="#">Catalogue Page Hyperlink: Plastic Roller Bearing!</a>

# Gravity Conveyor Roller Series

## Model 1200T Female Threaded



### Dimension Table

Tube Material	Tube Dia. x Thk.	Shaft Dia.	Dimension E&W	Dimension L&W
	D/mm	d/mm	E/mm	L/mm
Steel, Zinc Plated	Φ38x1.2	Φ12	E=W+9	L=W+10
	Φ50x1.5	Φ12   Φ15	E=W+9	L=W+10
	Φ50x2.0	Φ12   Φ15	E=W+9	L=W+10
	Φ60x2.0	Φ12   Φ15	E=W+9	L=W+10
	Φ60x3.0	Φ12   Φ15	E=W+9	L=W+10
Stainless Steel 304	Φ38x1.2	Φ12   Φ15	E=W+9	L=W+10
	Φ50x1.5	Φ12   Φ15	E=W+9	L=W+10
	Φ60x2.0	Φ12   Φ15	E=W+9	L=W+10

2mm | 3mm pvc soft sleeve is available for Φ38mm | Φ50mm | Φ60mm roller.

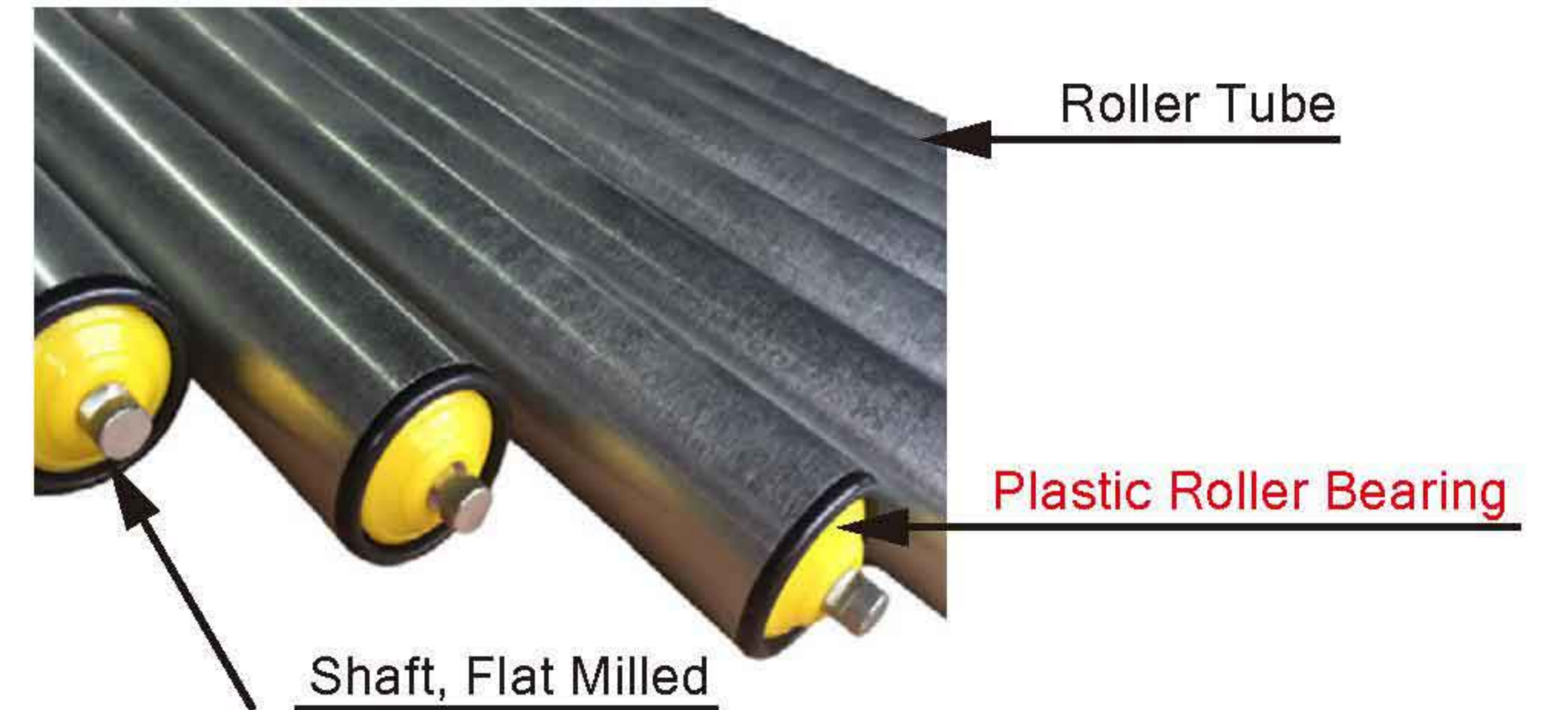
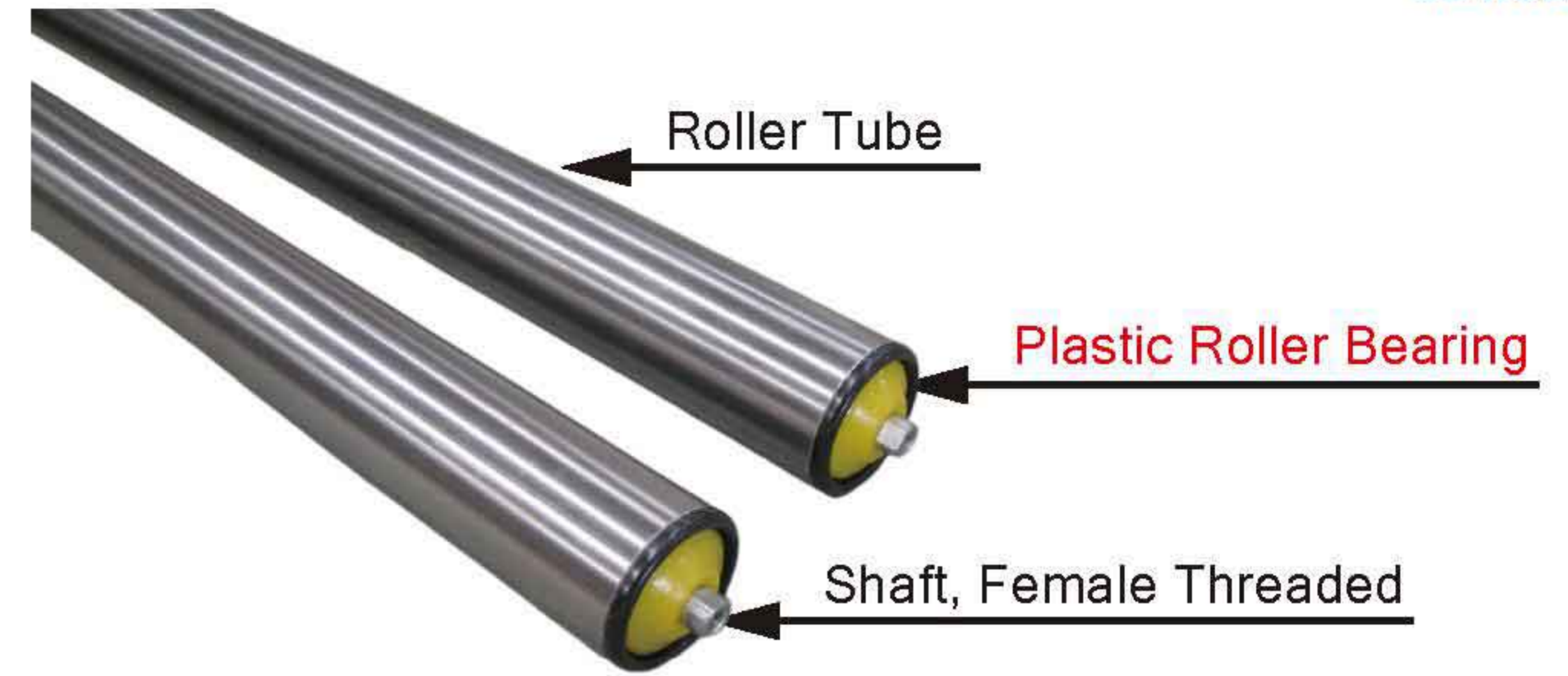
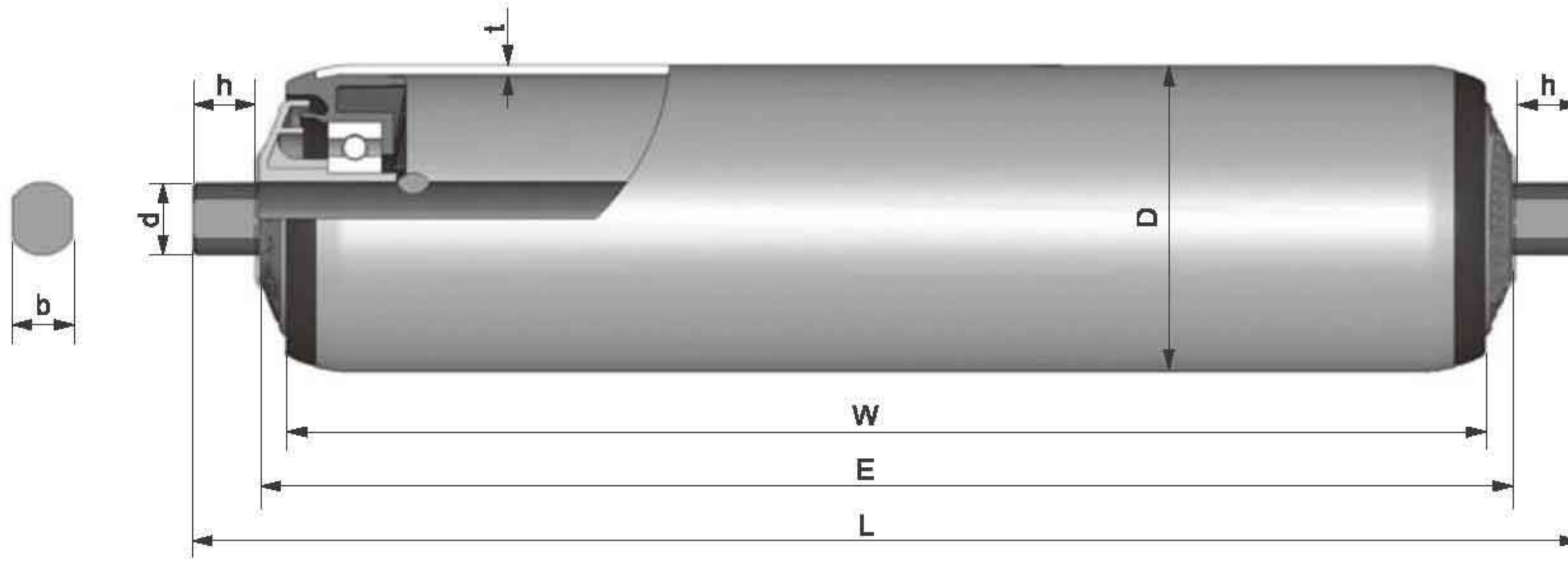
Female thread on the shaft Φ12(M8x15mm) | Φ15(M10x20mm).

### Product Features

<b>Tube Material</b>	Steel, Zinc Plated   Stainless Steel 304   Aluminium
<b>Shaft Material</b>	Steel, Zinc Plated   Stainless Steel 304
<b>Roller Bearing</b>	Bearing Housing: Plastic, Black
	End Cap: Plastic, Yellow
	Bearing Number: 6002   6003   6804
<b>Catalogue Page Hyperlink: <a href="#">Plastic Roller Bearing!</a></b>	

# Gravity Conveyor Roller Series

## Model 1200M Flat Milled



### Dimension Table

Tube Material	Tube Dia. x Thk.	Shaft Dia.	Dimension E&W	Dimension L&W
	D/mm	d/mm	E/mm	L/mm
Steel, Zinc Plated	Φ38x1.2	Φ12	E=W+9	L=W+31
	Φ50x1.5	Φ12   Φ15	E=W+9	L=W+31
	Φ50x2.0	Φ12   Φ15	E=W+9	L=W+31
	Φ60x2.0	Φ12   Φ15	E=W+9	L=W+31
	Φ60x3.0	Φ12   Φ15	E=W+9	L=W+31
Stainless Steel 304	Φ38x1.2	Φ12   Φ15	E=W+9	L=W+31
	Φ50x1.5	Φ12   Φ15	E=W+9	L=W+31
	Φ60x2.0	Φ12   Φ15	E=W+9	L=W+31

2mm | 3mm pvc soft sleeve is available for Φ38mm | Φ50mm | Φ60mm roller.

Flat milled on the shaft Φ12(b/h=10/11mm) | Φ15(b/h=12/11mm).

### Product Features

<b>Tube Material</b>	Steel, Zinc Plated   Stainless Steel 304   Aluminium
<b>Shaft Material</b>	Steel, Zinc Plated   Stainless Steel 304
<b>Roller Bearing</b>	Bearing Housing: Plastic, Black
	End Cap: Plastic, Yellow
	Bearing Number: 6002   6003   6804
<a href="#">Catalogue Page Hyperlink: Plastic Roller Bearing!</a>	

## Model 1800L+1800T+1800M

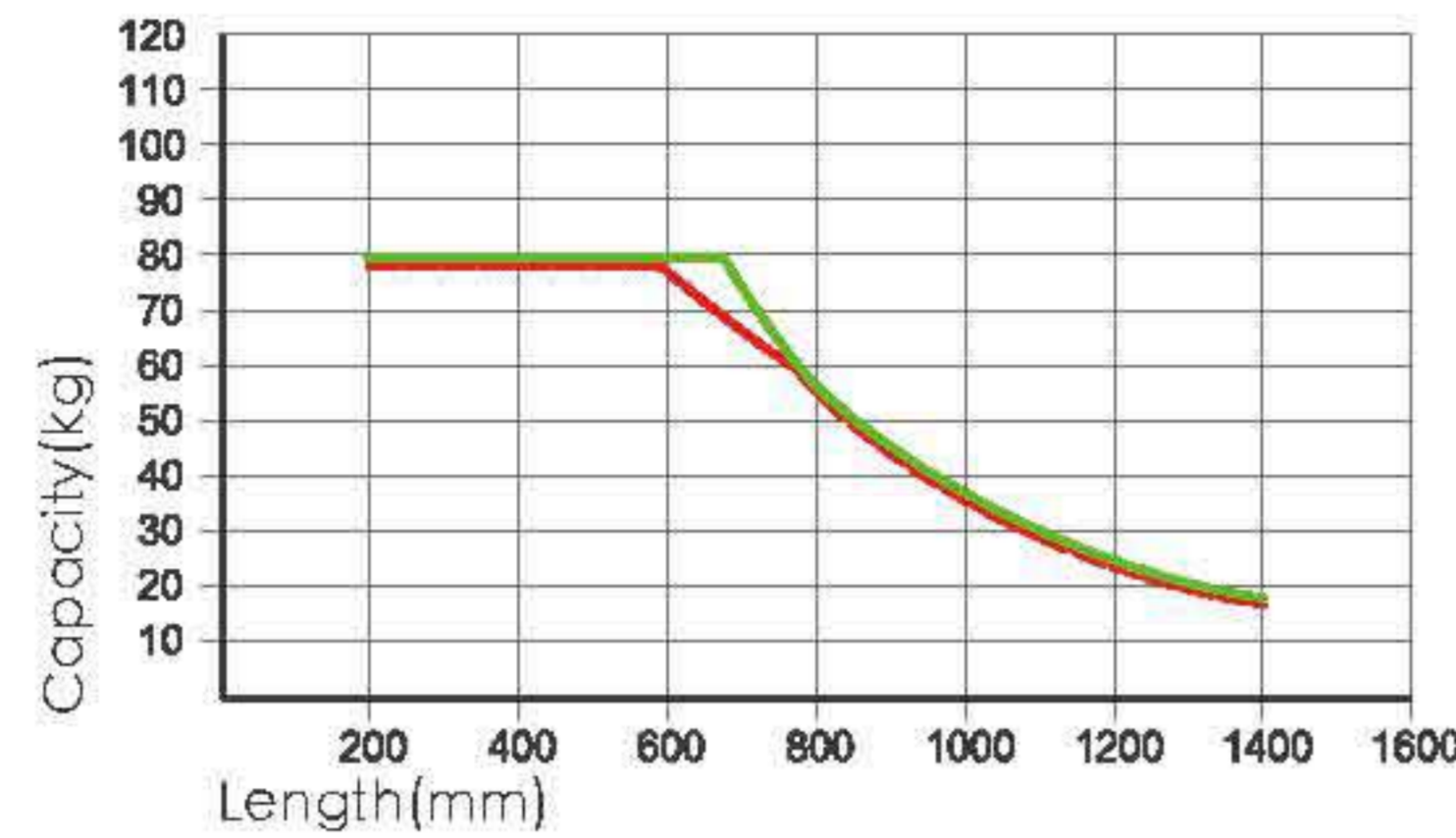
1, The Model 1800 has bigger load capacity and can work under more complicated working conditions.

2, The roller is assembled by steel stamped bearing housing which has steel housing and ball precision bearings. Based on this various bearing housing sizes, it can meet different using requirements.

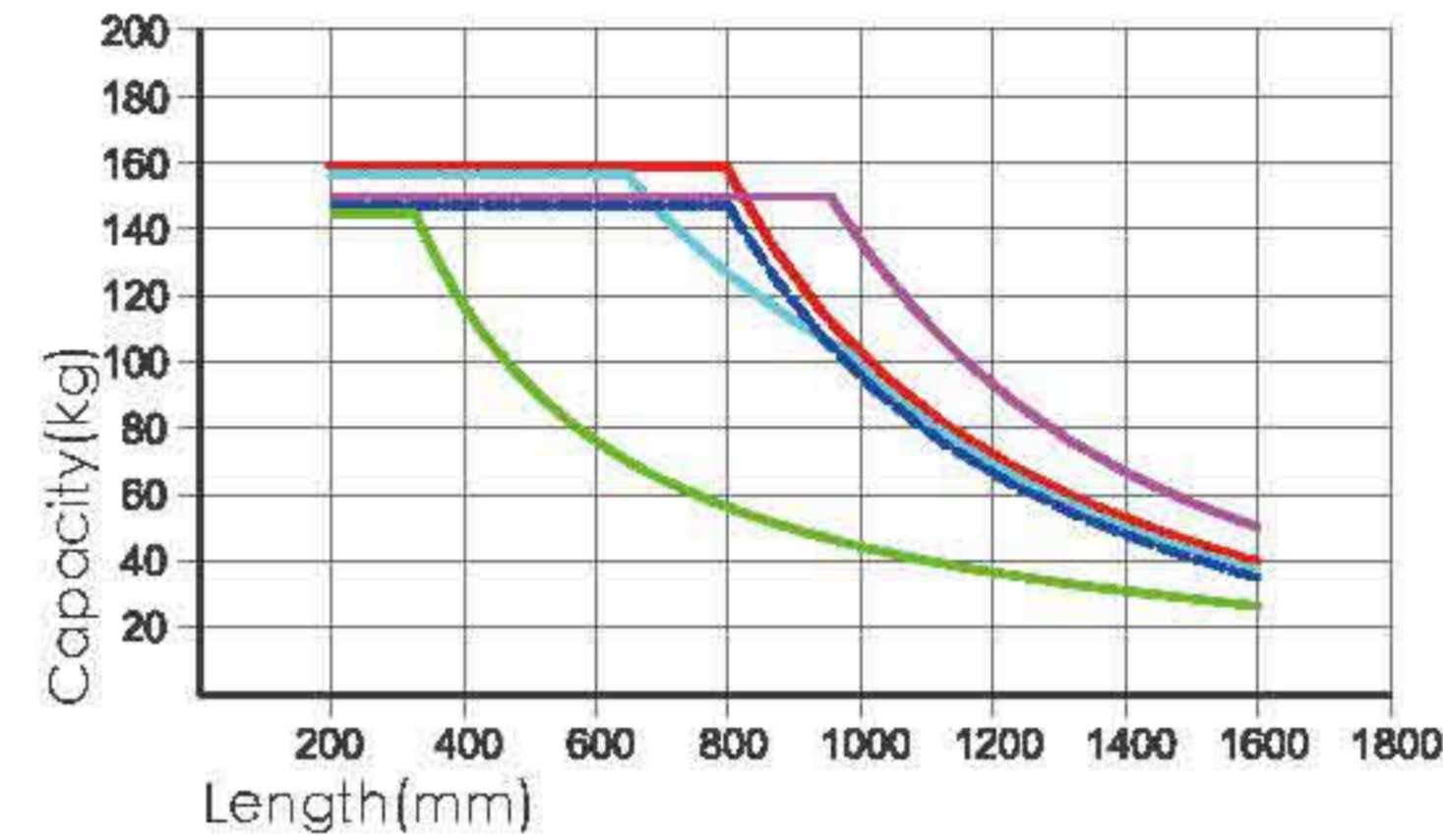
3, The advantage using of this roller includes common light weight parcel conveyors, big weight pallet conveyors and other areas.

4, The advantage of this roller is very easy to install because of spring loaded design. No matter the conveyor is light duty or heavy duty, it's quick to insert the roller shaft and finish the works.

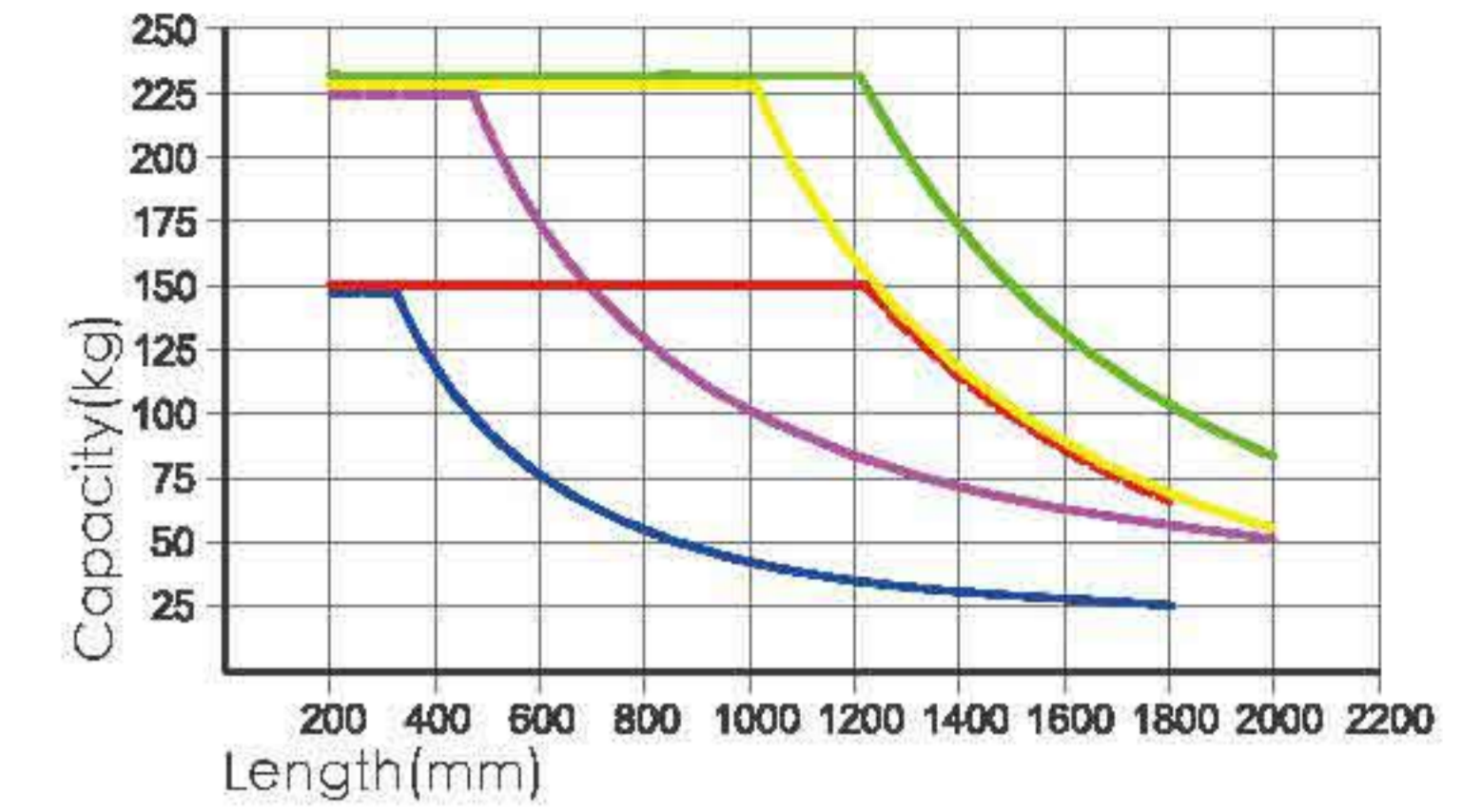
## Roller Load Capacity Table



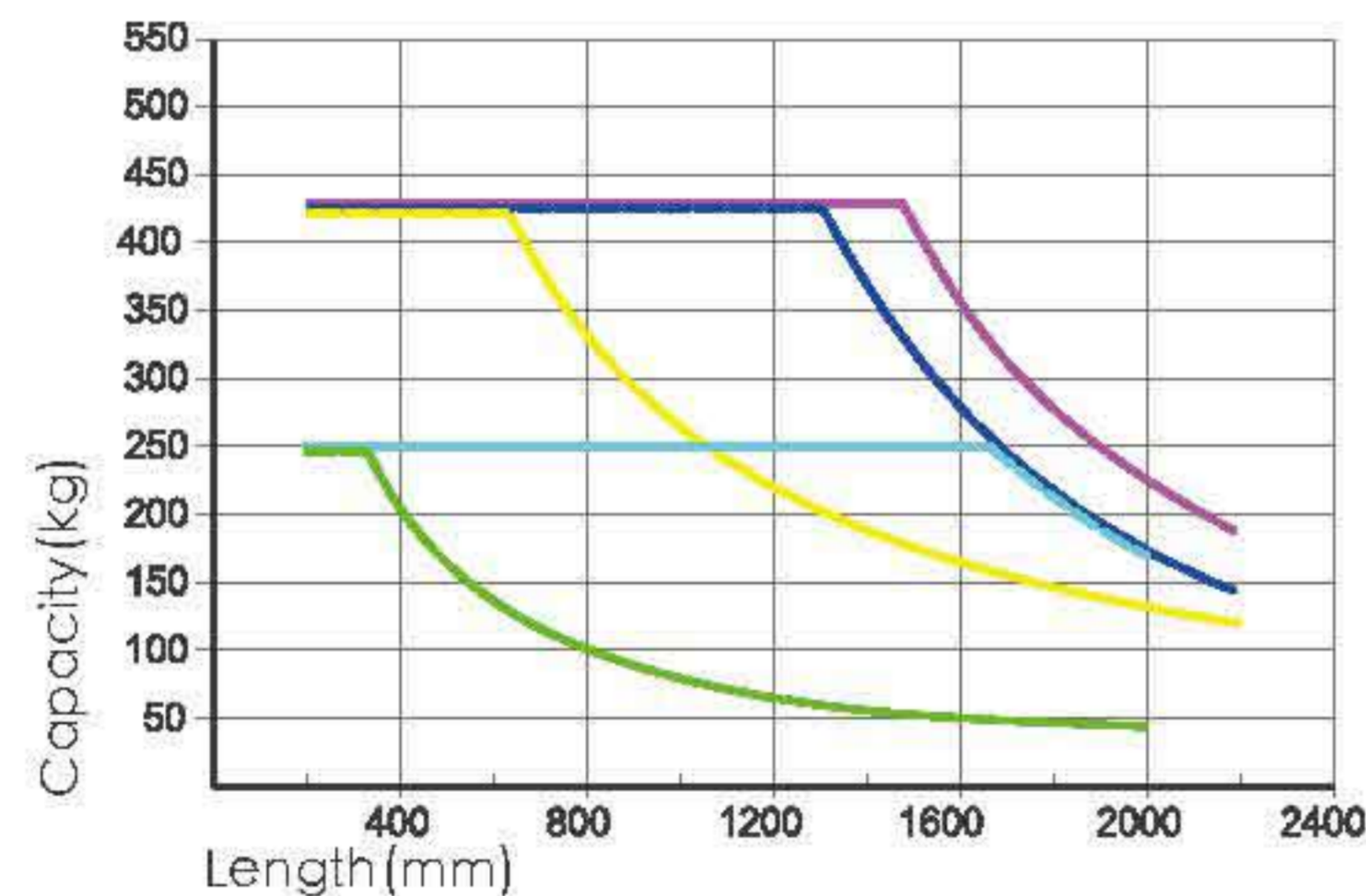
- Steel tube  $\varnothing 38 \times 1.2$ , shaft  $\varnothing 12$ , female threaded
- Steel tube  $\varnothing 38 \times 1.2$ , shaft  $\varnothing 12$ , spring loaded



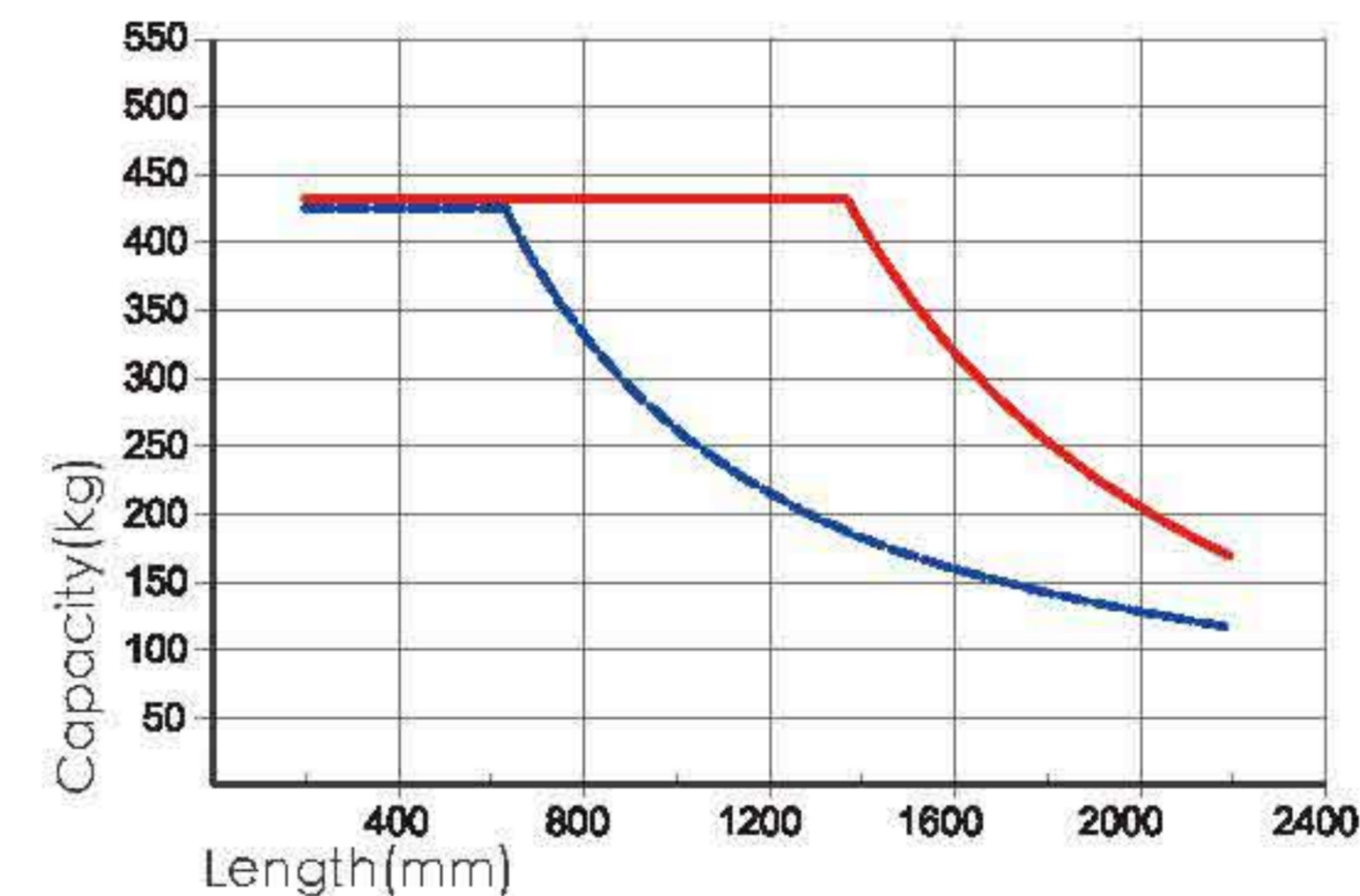
- Steel tube  $\varnothing 50 \times 1.5$ , shaft  $\varnothing 15$ , female threaded
- Steel tube  $\varnothing 50 \times 1.5$ , shaft  $\varnothing 15$ , spring loaded
- Steel tube  $\varnothing 50 \times 2.0$ , shaft  $\varnothing 12$ , female threaded
- Steel tube  $\varnothing 50 \times 1.5$ , shaft  $\varnothing 12$ , female threaded
- Steel tube  $\varnothing 50 \times 1.5/2.0$ , shaft  $\varnothing 12$ , spring loaded



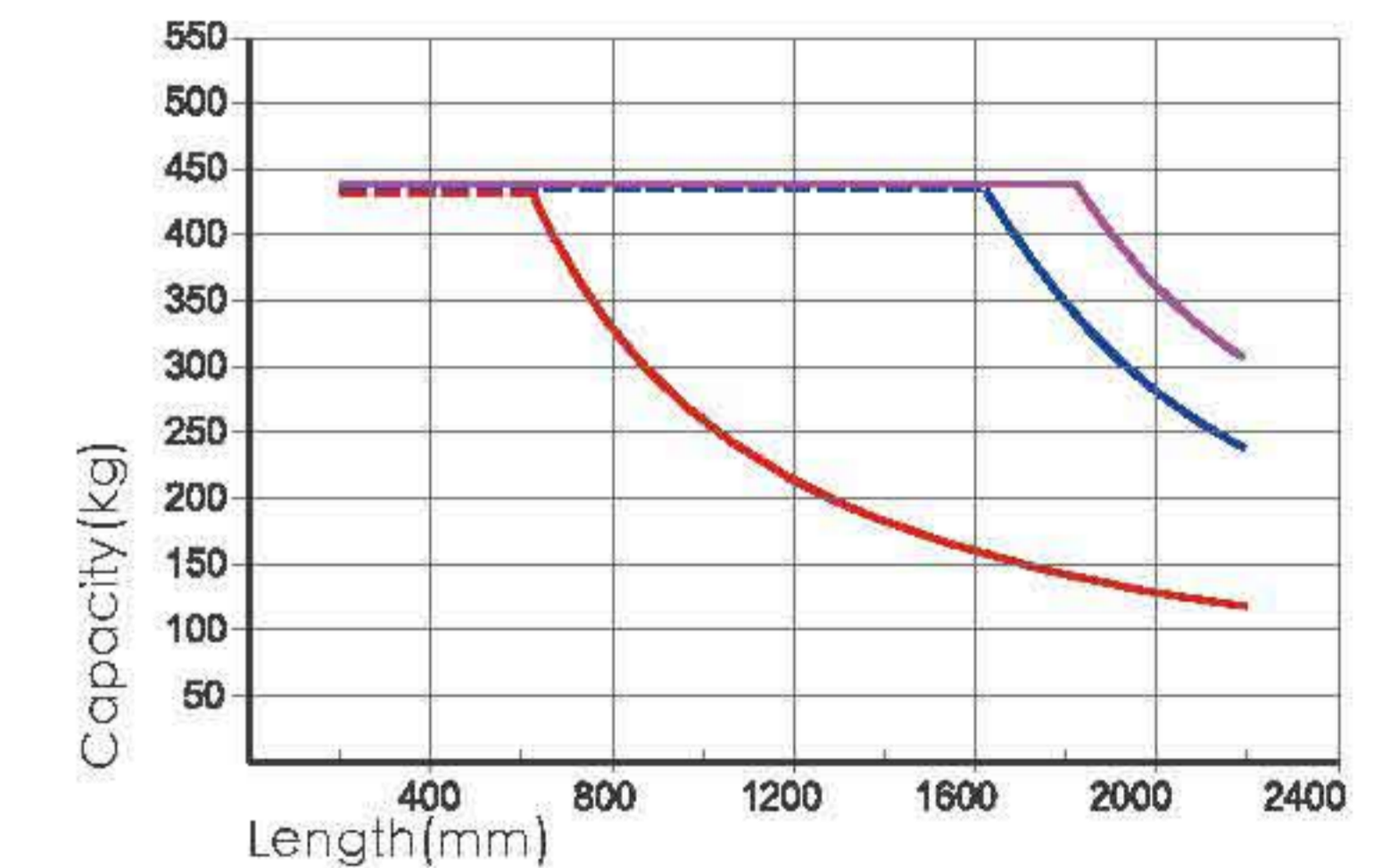
- Steel tube  $\varnothing 60 \times 3.0$ , shaft  $\varnothing 15$ , female threaded
- Steel tube  $\varnothing 60 \times 2.0$ , shaft  $\varnothing 15$ , female threaded
- Steel tube  $\varnothing 60 \times 3.0$ , shaft  $\varnothing 15$ , spring loaded
- Steel tube  $\varnothing 60 \times 2.0$ , shaft  $\varnothing 12$ , female threaded
- Steel tube  $\varnothing 60 \times 2.0$ , shaft  $\varnothing 12$ , spring loaded



- Steel tube  $\varnothing 76 \times 4.0$ , shaft  $\varnothing 20$ , female threaded
- Steel tube  $\varnothing 76 \times 3.0$ , shaft  $\varnothing 20$ , female threaded
- Steel tube  $\varnothing 76 \times 3.0/4.0$ , shaft  $\varnothing 20$ , spring loaded
- Steel tube  $\varnothing 76 \times 3.0$ , shaft  $\varnothing 15$ , female threaded
- Steel tube  $\varnothing 76 \times 3.0$ , shaft  $\varnothing 15$ , spring loaded



- Steel tube  $\varnothing 80 \times 3.0$ , shaft  $\varnothing 20$ , female threaded
- Steel tube  $\varnothing 80 \times 3.0$ , shaft  $\varnothing 20$ , spring loaded



- Steel tube  $\varnothing 89 \times 3.0$ , shaft  $\varnothing 20$ , female threaded
- Steel tube  $\varnothing 89 \times 3.0$ , shaft  $\varnothing 20$ , female threaded
- Steel tube  $\varnothing 89 \times 3.0/4.0$ , shaft  $\varnothing 20$ , spring loaded

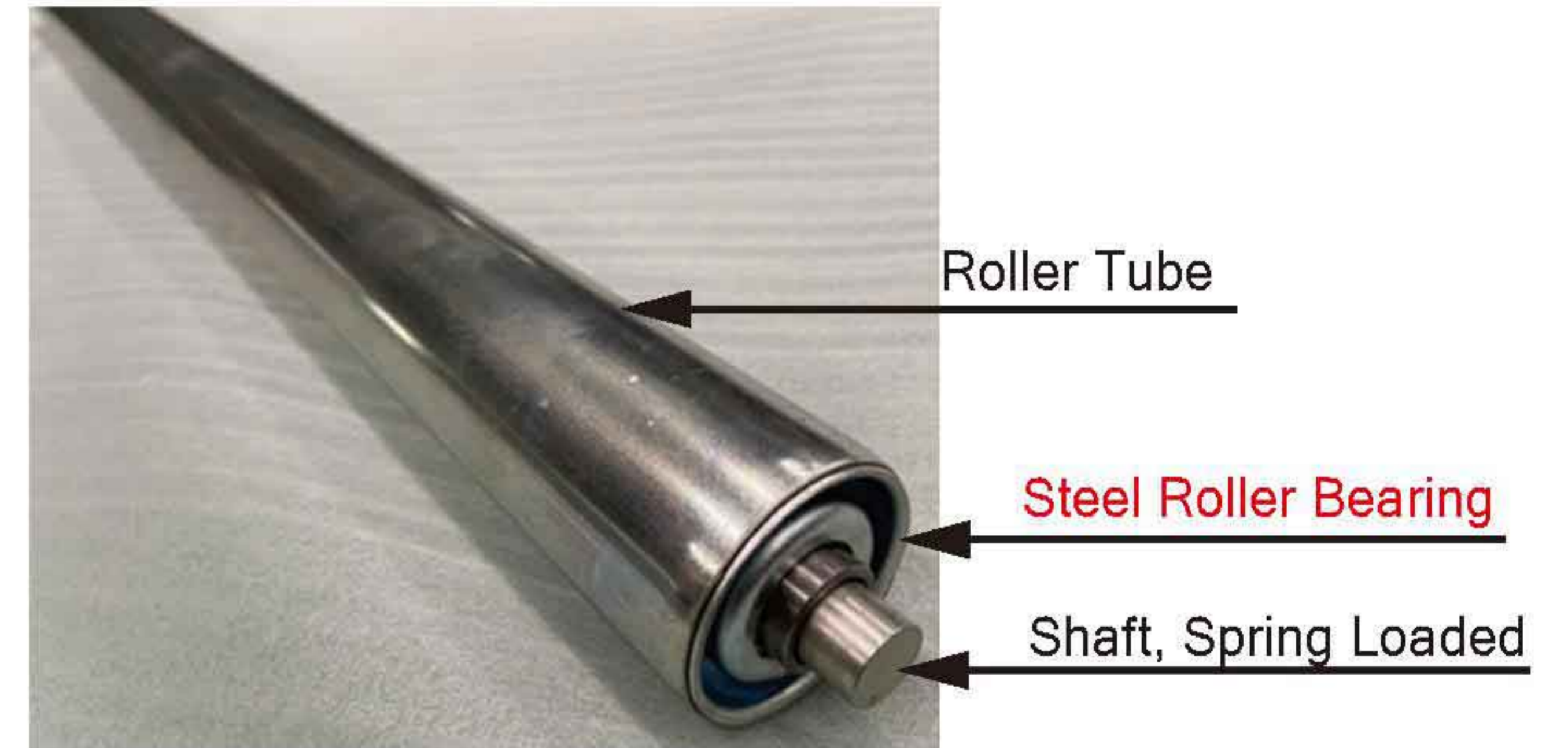
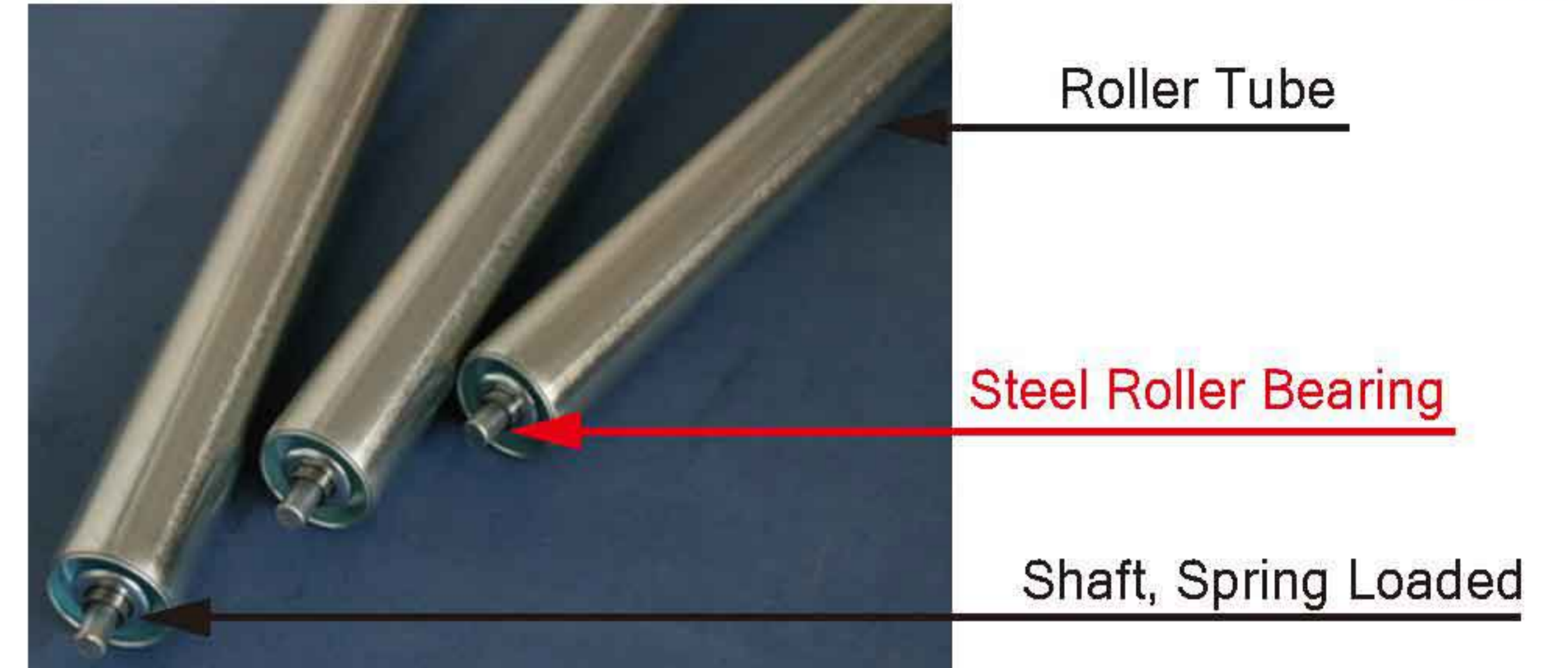
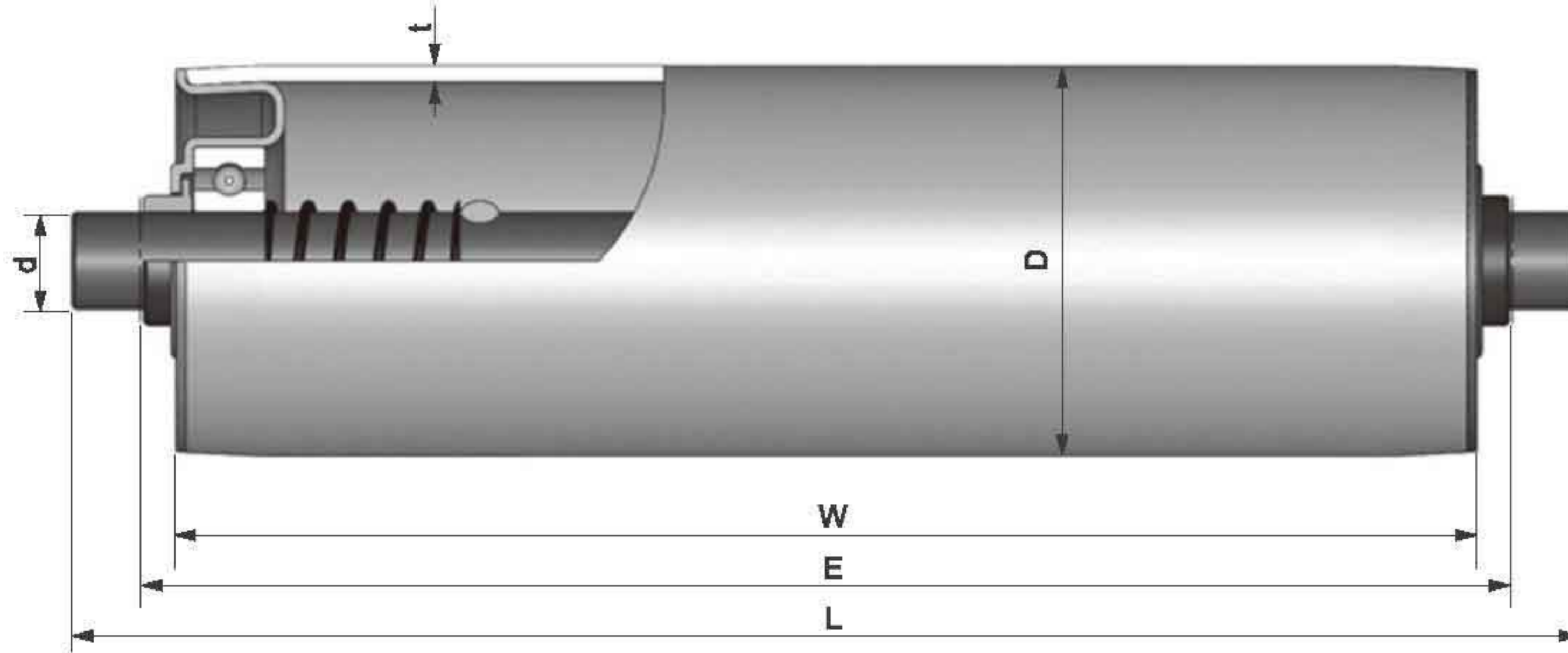
⚠ The above data shows the static load capacity of the roller for a uniformly distributed load.

1200L	1200T	1200M	1800L	1800T	1800M	2411	2421	2311	2321	2322	2230	2240	2250	2260	2280	3211
3221	3816	3826	1500	1600	2521	2624	2650	2660	3110	3120	C1	C2	C3	C4	C5	



# Gravity Conveyor Roller Series

## Model 1800L Spring Loaded



### Dimension Table

Tube Material	Tube Dia. x Thk.	Shaft Dia.	Dimension E&W	Dimension L&W
	D/mm	d/mm	E/mm	L/mm
Steel, Zinc Plated	Φ38x1.2	Φ12	E=W+10	L=W+32
	Φ50x1.5	Φ12   Φ15	E=W+10	L=W+32
	Φ50x2.0	Φ12   Φ15	E=W+10	L=W+32
	Φ60x2.0	Φ12   Φ15	E=W+10	L=W+32
	Φ60x3.0	Φ12   Φ15	E=W+10	L=W+32
	Φ76x3.0	Φ15   Φ20	E=W+10	L=W+40
	Φ76x3.75	Φ15   Φ20	E=W+10	L=W+40
	Φ80x3.0	Φ20	E=W+10	L=W+40
	Φ89x3.0	Φ20	E=W+10	L=W+40
	Φ89x3.75	Φ20	E=W+10	L=W+40
Stainless Steel 304	Φ38x1.2	Φ12	E=W+10	L=W+32
	Φ50x1.5	Φ12   Φ15	E=W+10	L=W+32
	Φ60x2.0	Φ12   Φ15	E=W+10	L=W+32
	Φ76x3.0	Φ15   Φ20	E=W+10	L=W+40

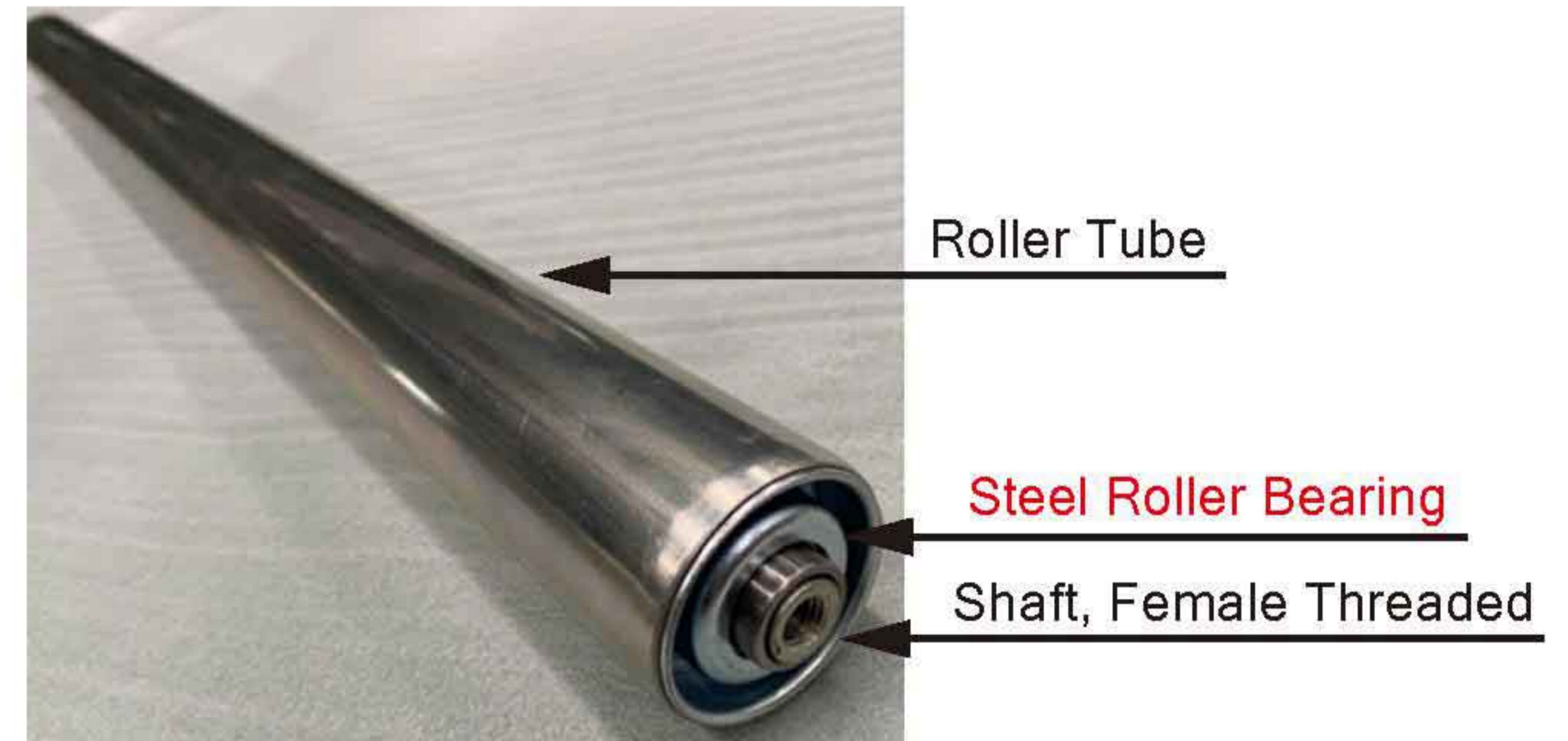
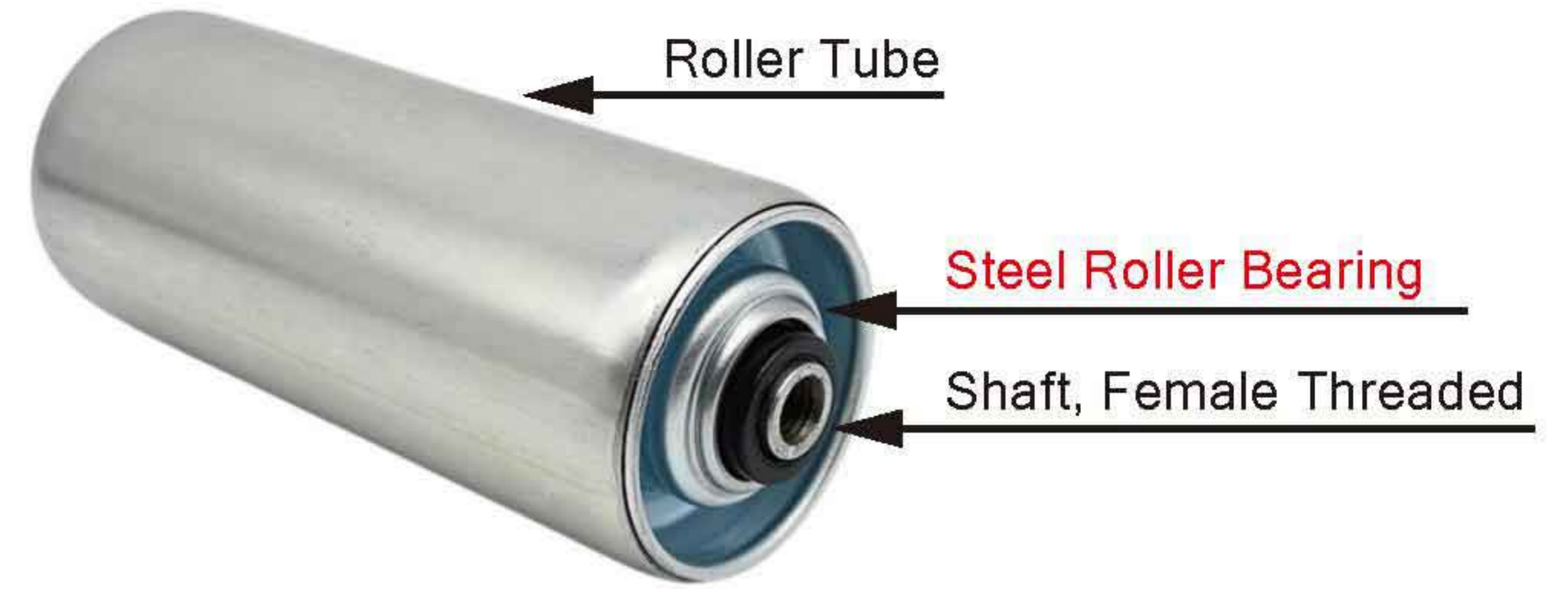
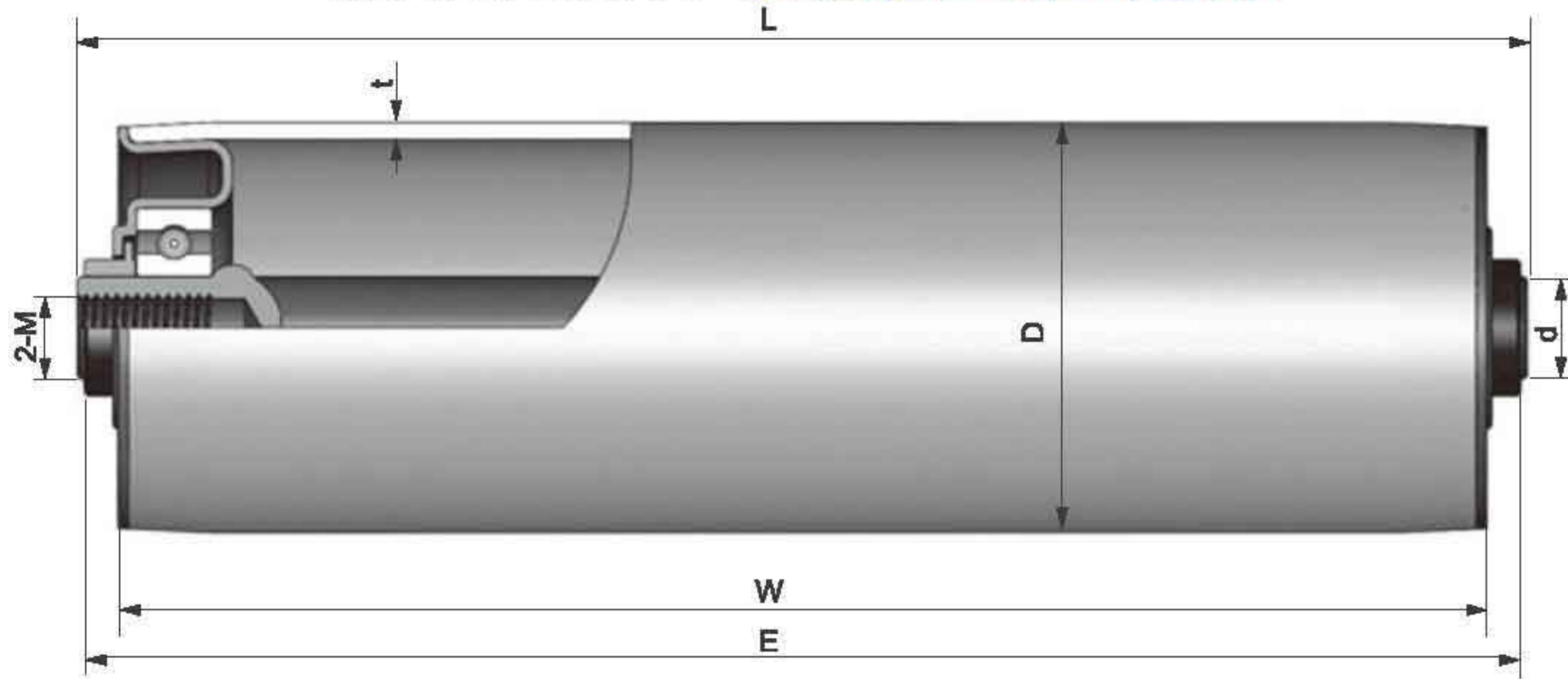
2mm | 3mm pvc soft sleeve is available for Φ38mm | Φ50mm | Φ60mm roller.

### Product Features

<b>Tube Material</b>	Steel, Zinc Plated   Stainless Steel 304   Aluminium
<b>Shaft Material</b>	Steel, Zinc Plated   Stainless Steel 304
<b>Roller Bearing</b>	Bearing Housing: Steel, Zinc Plated
	Bearing Busher: Bearing Steel   Plastic, Black
	Bearing Number: 6001   6002   6202   6204
	<b>Catalogue Page Hyperlink: <a href="#">Steel Roller Bearing!</a></b>

# Gravity Conveyor Roller Series

## Model 1800T Female Threaded



### Dimension Table

Tube Material	Tube Dia. x Thk.	Shaft Dia.	Dimension E&W	Dimension L&W
	D/mm	d/mm	E/mm	L/mm
Steel, Zinc Plated	Φ38x1.2	Φ12	E=W+10	L=W+11
	Φ50x1.5	Φ12   Φ15	E=W+10	L=W+11
	Φ50x2.0	Φ12   Φ15	E=W+10	L=W+11
	Φ60x2.0	Φ12   Φ15	E=W+10	L=W+11
	Φ60x3.0	Φ12   Φ15	E=W+10	L=W+11
	Φ76x3.0	Φ15   Φ20	E=W+10	L=W+11
	Φ76x3.75	Φ15   Φ20	E=W+10	L=W+11
	Φ80x3.0	Φ20	E=W+10	L=W+11
	Φ89x3.0	Φ20	E=W+10	L=W+11
	Φ89x3.75	Φ20	E=W+10	L=W+11
Stainless Steel 304	Φ38x1.2	Φ12	E=W+10	L=W+11
	Φ50x1.5	Φ12   Φ15	E=W+10	L=W+11
	Φ60x2.0	Φ12   Φ15	E=W+10	L=W+11
	Φ76x3.0	Φ15   Φ20	E=W+10	L=W+11

Female thread on the shaft Φ12(M8\*15mm) | Φ15(M10\*20mm) | Φ20(M12\*25mm).

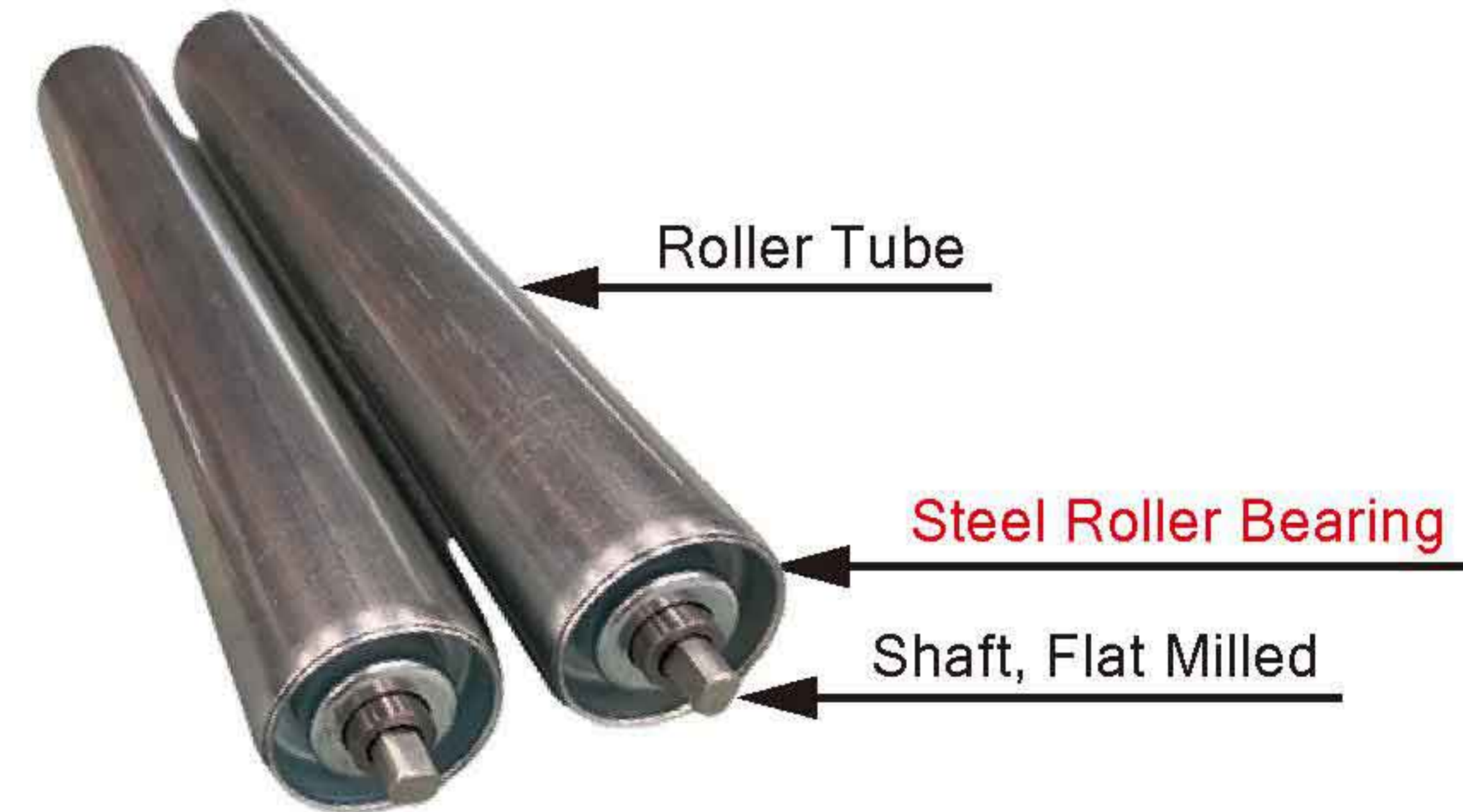
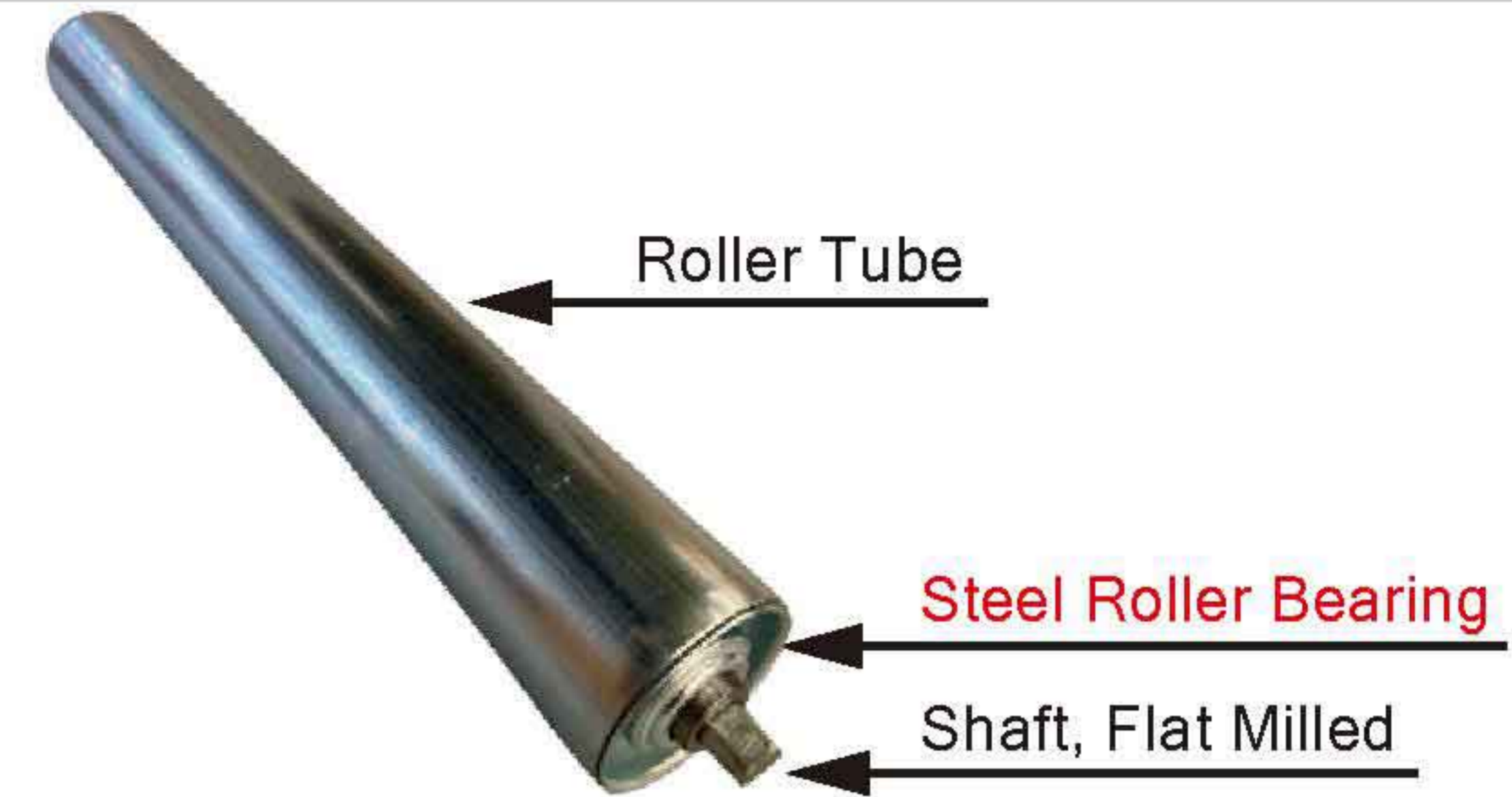
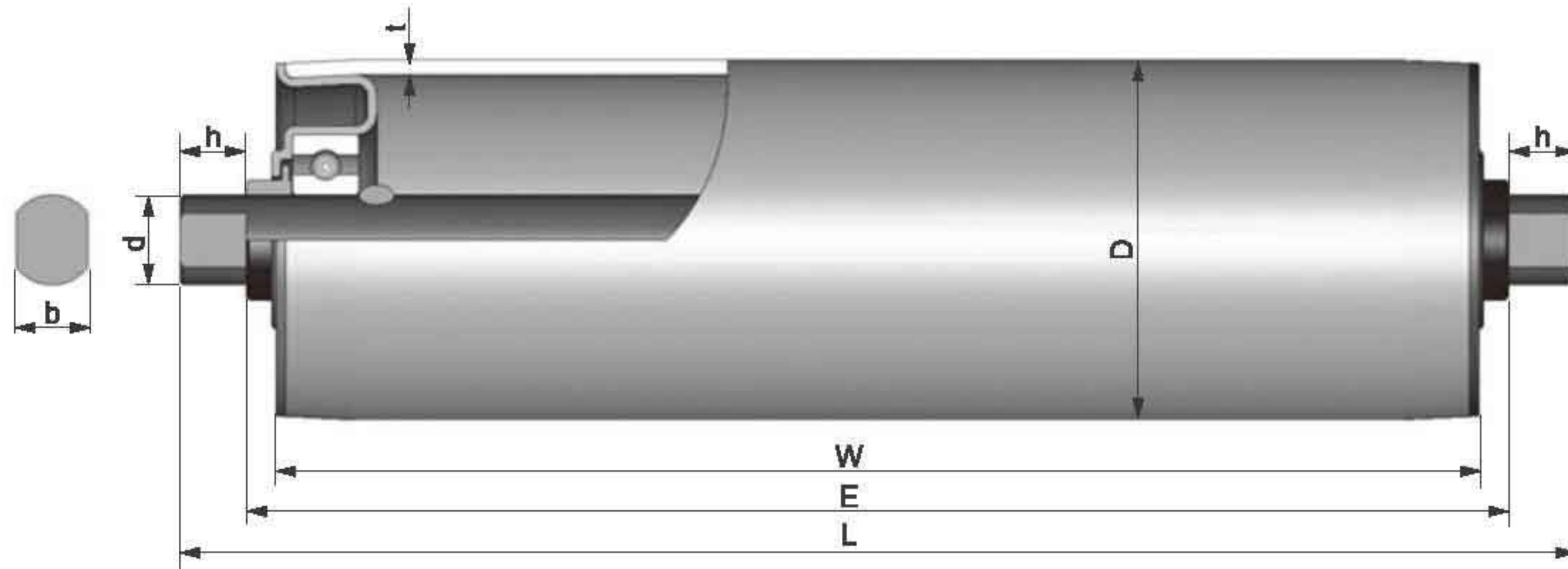
2mm | 3mm pvc soft sleeve is available for Φ38mm | Φ50mm | Φ60mm roller.

### Product Features

<b>Tube Material</b>	Steel, Zinc Plated   Stainless Steel 304   Aluminium
<b>Shaft Material</b>	Steel, Zinc Plated   Stainless Steel 304
<b>Roller Bearing</b>	Bearing Housing: Steel, Zinc Plated
	Bearing Busher: Steel   Plastic, Black
	Bearing Number: 6001   6002   6202   6204
<a href="#">Catalogue Page Hyperlink: Steel Roller Bearing!</a>	

# Gravity Conveyor Roller Series

## Model 1800M Flat Milled



### Dimension Table

Tube Material	Tube Dia. x Thk.	Shaft Dia.	Dimension E&W	Dimension L&W
	D/mm	d/mm	E/mm	L/mm
Steel, Zinc Plated	Φ38x1.2	Φ12	E=W+10	L=W+32
	Φ50x1.5	Φ12   Φ15	E=W+10	L=W+32
	Φ50x2.0	Φ12   Φ15	E=W+10	L=W+32
	Φ60x2.0	Φ12   Φ15	E=W+10	L=W+32
	Φ60x3.0	Φ12   Φ15	E=W+10	L=W+32
	Φ76x3.0	Φ15   Φ20	E=W+10	L=W+40
	Φ76x3.75	Φ15   Φ20	E=W+10	L=W+40
	Φ80x3.0	Φ20	E=W+10	L=W+40
	Φ89x3.0	Φ20	E=W+10	L=W+40
	Φ89x3.75	Φ20	E=W+10	L=W+40
Stainless Steel 304	Φ38x1.2	Φ12	E=W+10	L=W+32
	Φ50x1.5	Φ12   Φ15	E=W+10	L=W+32
	Φ60x2.0	Φ12   Φ15	E=W+10	L=W+32
	Φ76x3.0	Φ15   Φ20	E=W+10	L=W+40

Flat milled on the shaft Φ12(b/h=10/11mm) | Φ15(b/h=12/11mm) | Φ20(b/h=16/15mm).

2mm | 3mm pvc soft sleeve is available for Φ38mm | Φ50mm | Φ60mm roller.

### Product Features

<b>Tube Material</b>	Steel, Zinc Plated   Stainless Steel 304   Aluminium
<b>Shaft Material</b>	Steel, Zinc Plated   Stainless Steel 304
<b>Roller Bearing</b>	Bearing Housing: Steel, Zinc Plated
	Bearing Busher: Steel   Plastic, Black
	Bearing Number: 6001   6002   6202   6204
<a href="#">Catalogue Page Hyperlink: Steel Roller Bearing!</a>	

## Model 2411+2421+2311+2321 +2322+2230+2240+2250 +2251+2260+2280

1, This series roller is driven by chain, PU O belt, poly-vee belt, timing belt. The different conveyor driving ways serve for different working conditions.

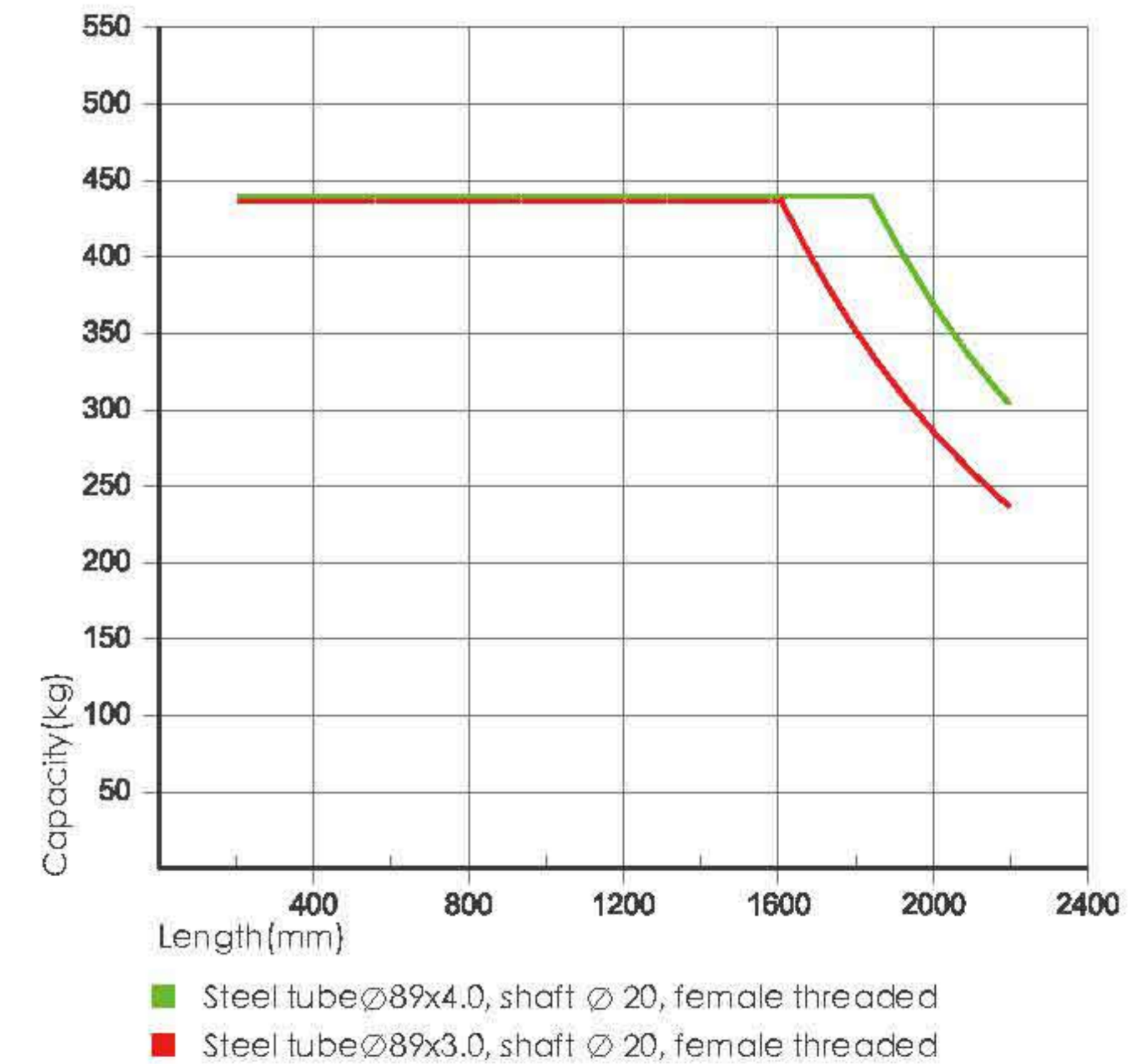
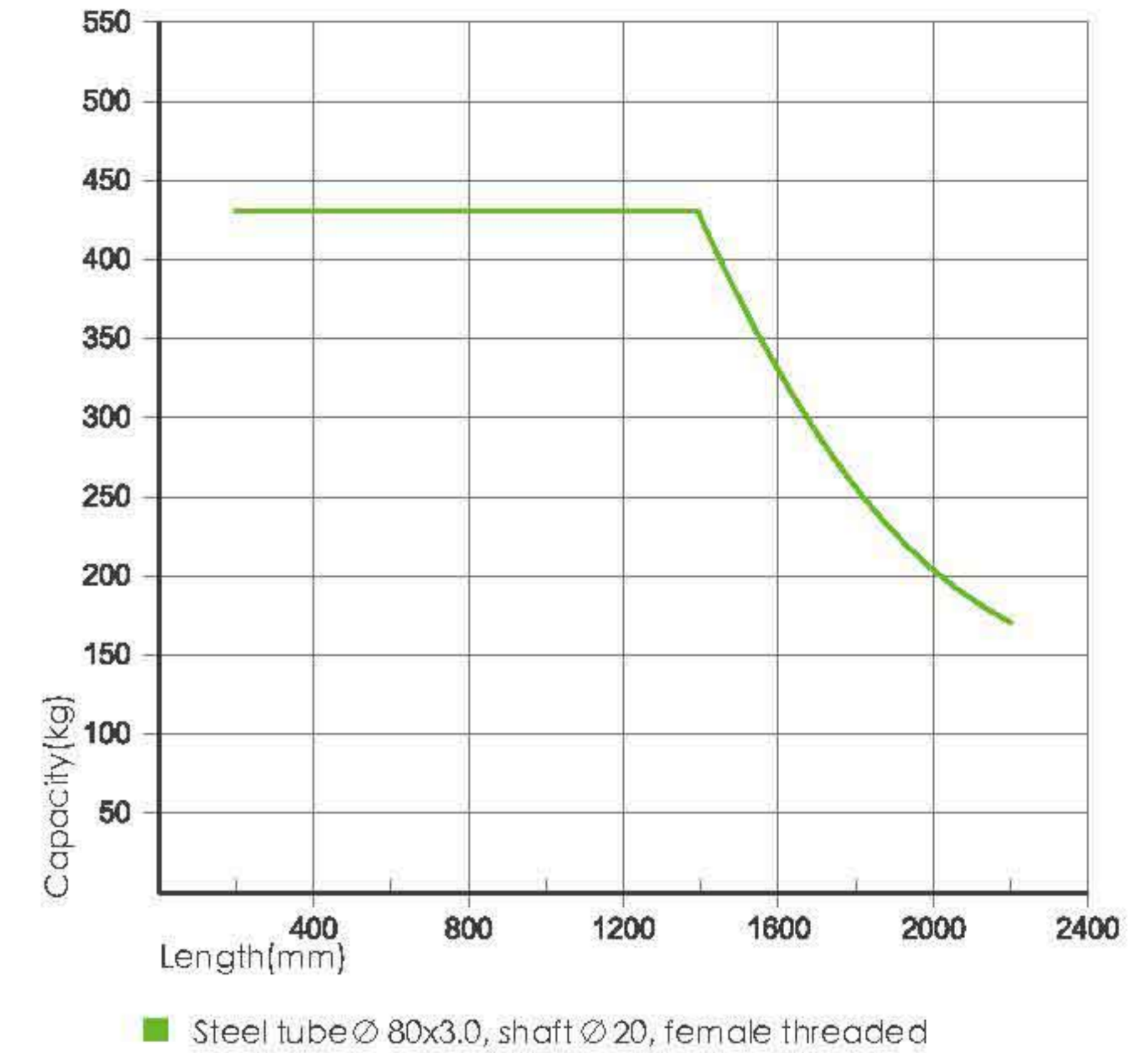
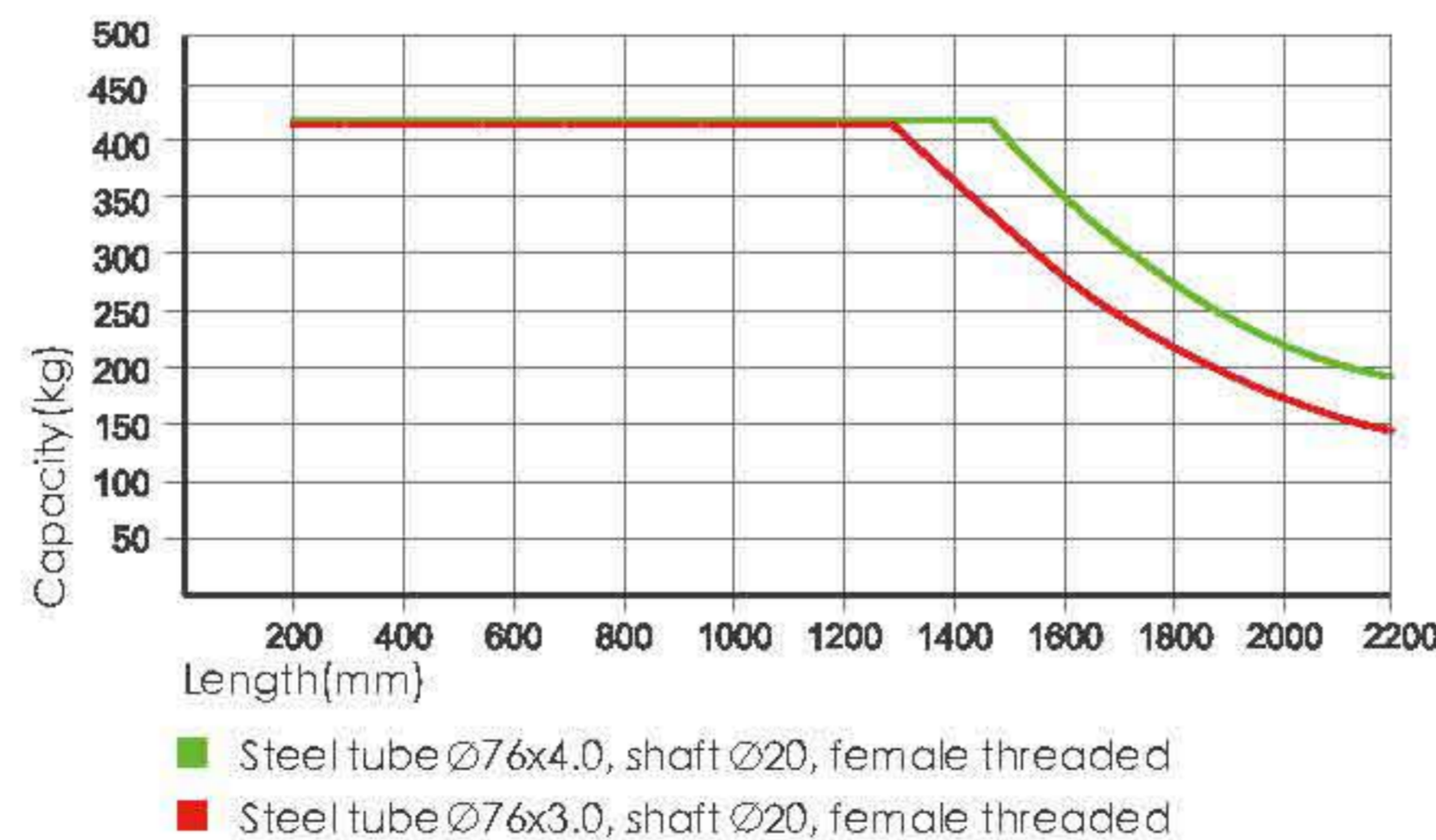
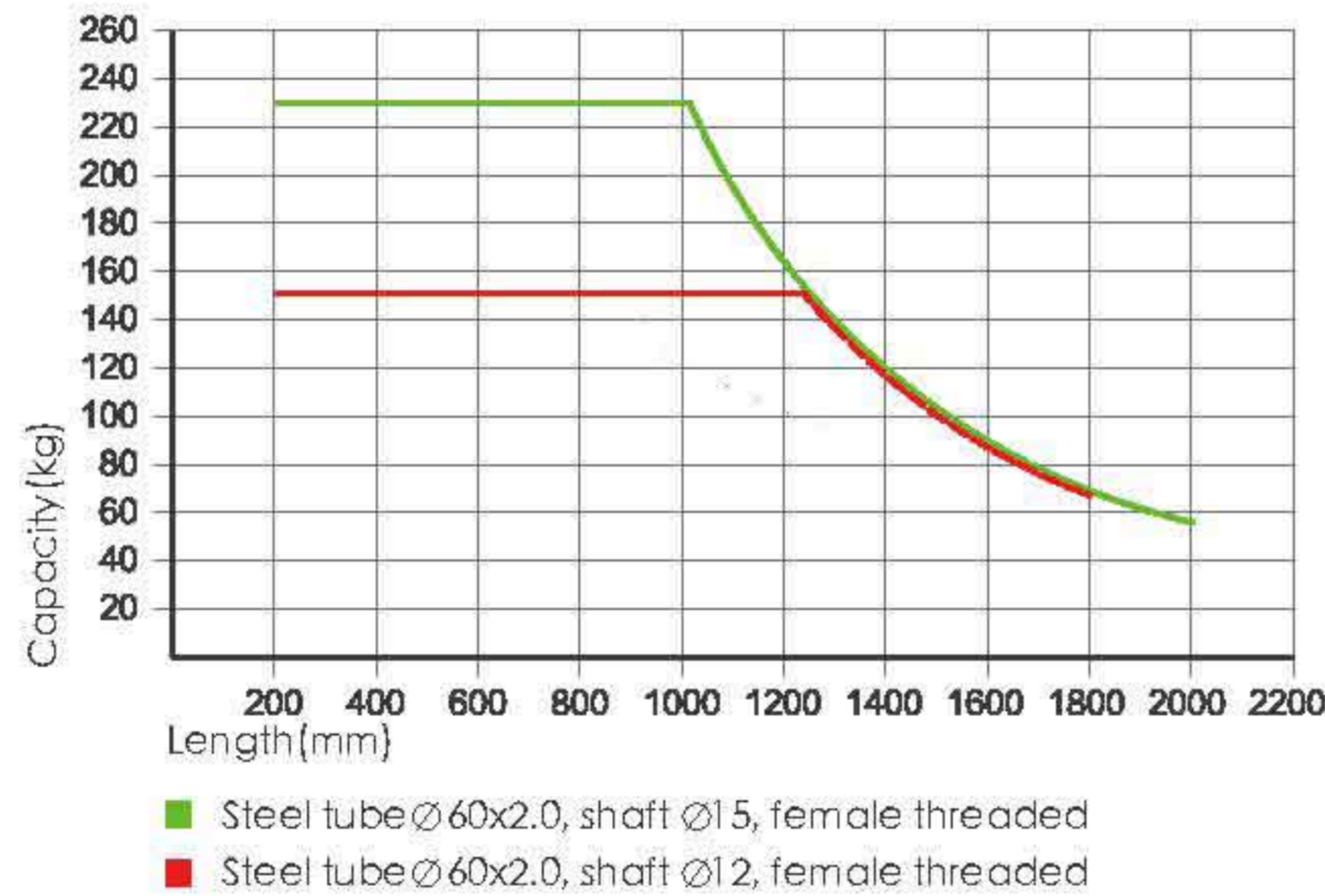
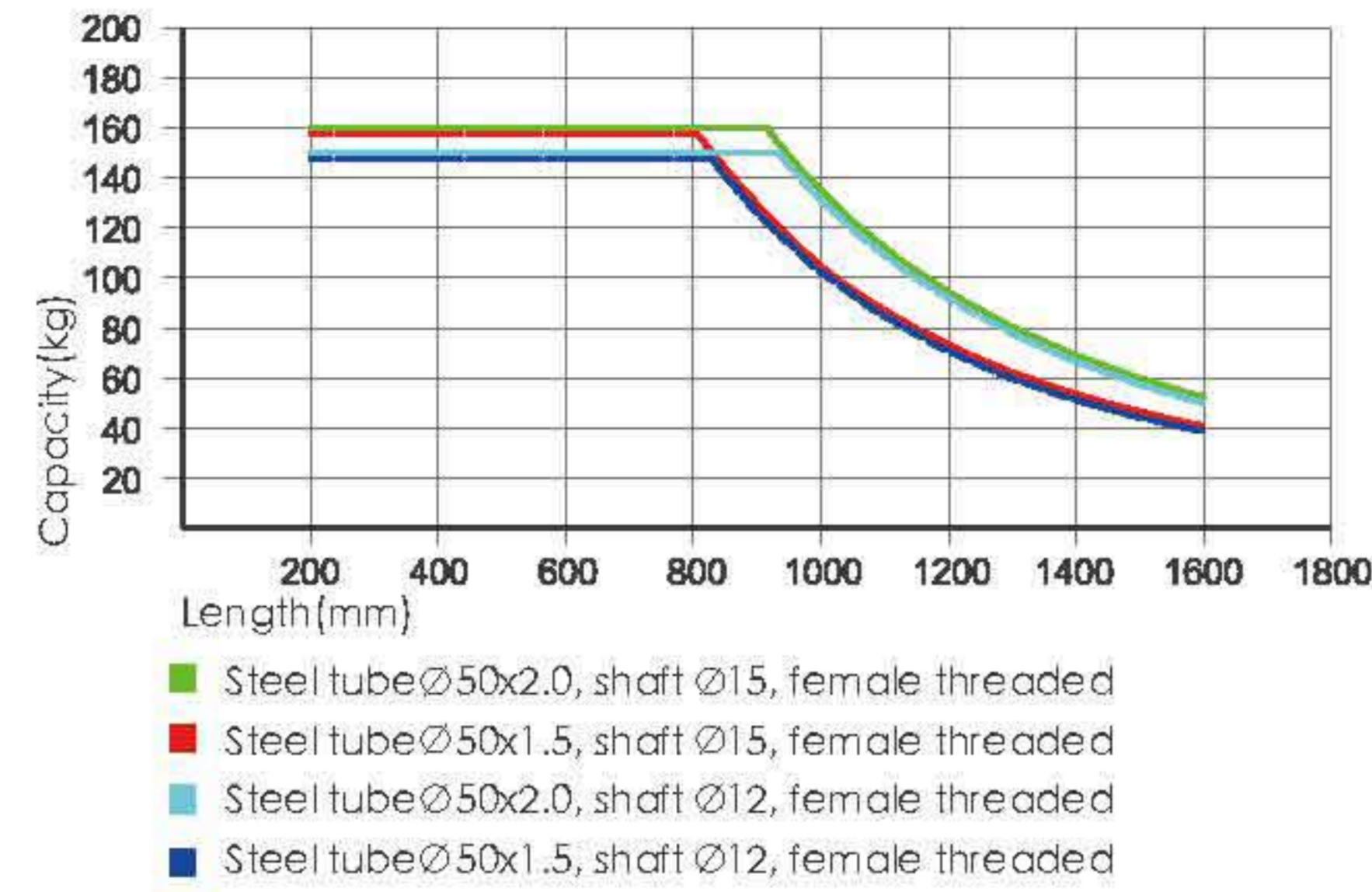
2, The sprocket roller is driven by steel or plastic sprocket which can supply stable strength.

3, The grooved roller is driven by PU O belt which can work stably and quietly.

4, The poly-vee pulley roller is driven by poly-vee belt with 9 grooves which fits for some conveyors which need to adjust the transportation degree.

5, The timing belt pulley roller is driven timing belt with good strength and stability.

## Roller Load Capacity Table

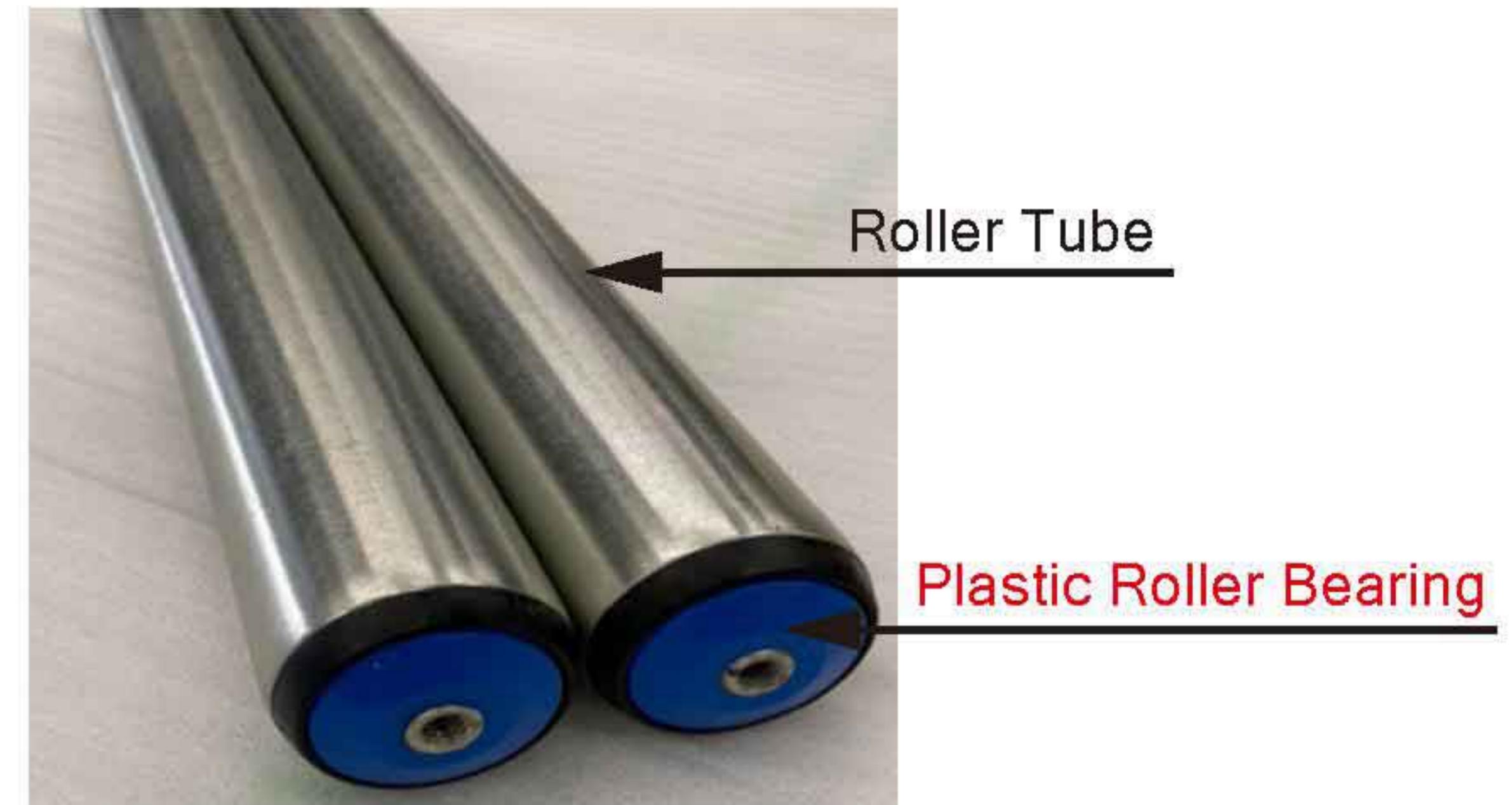
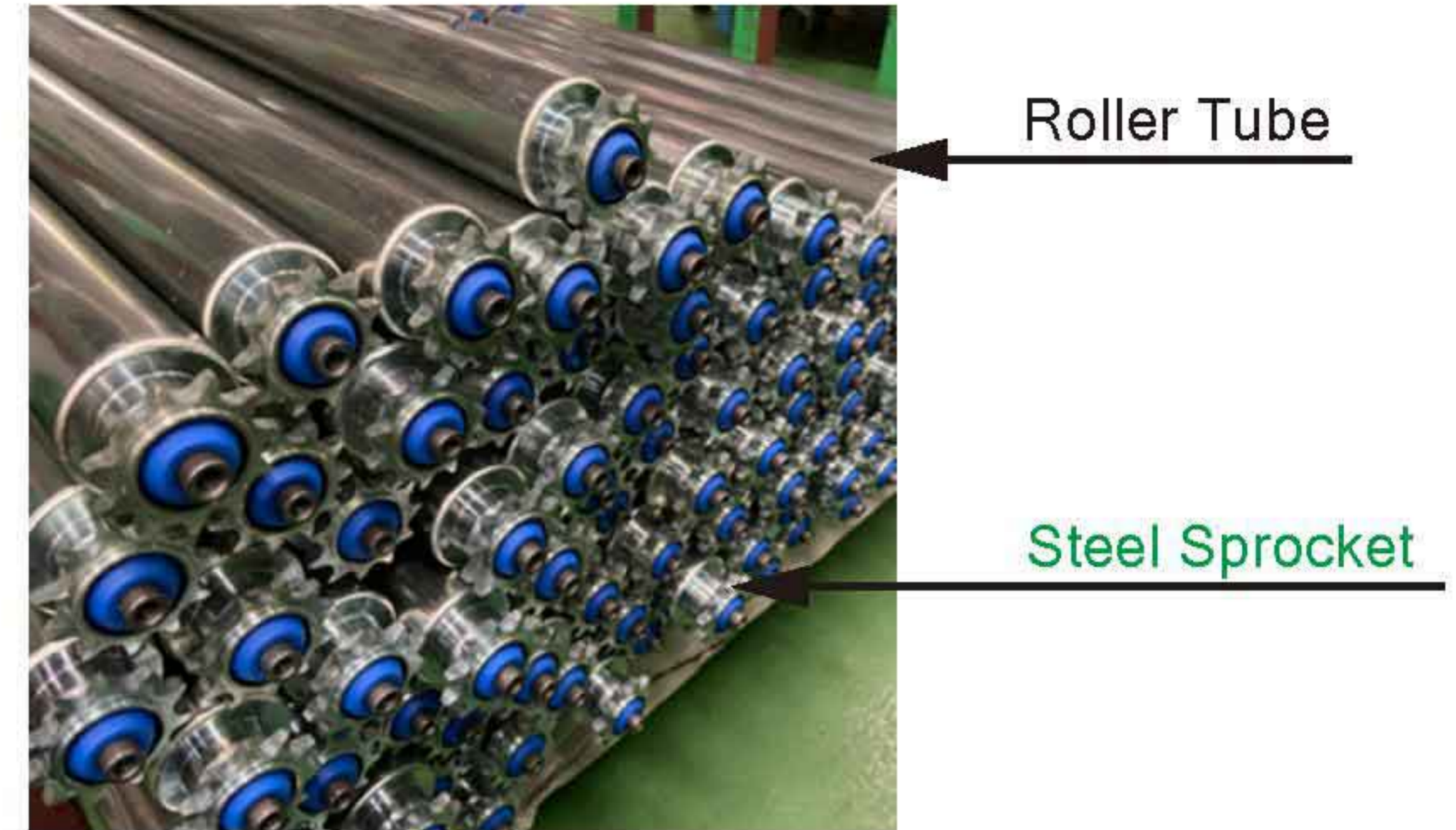
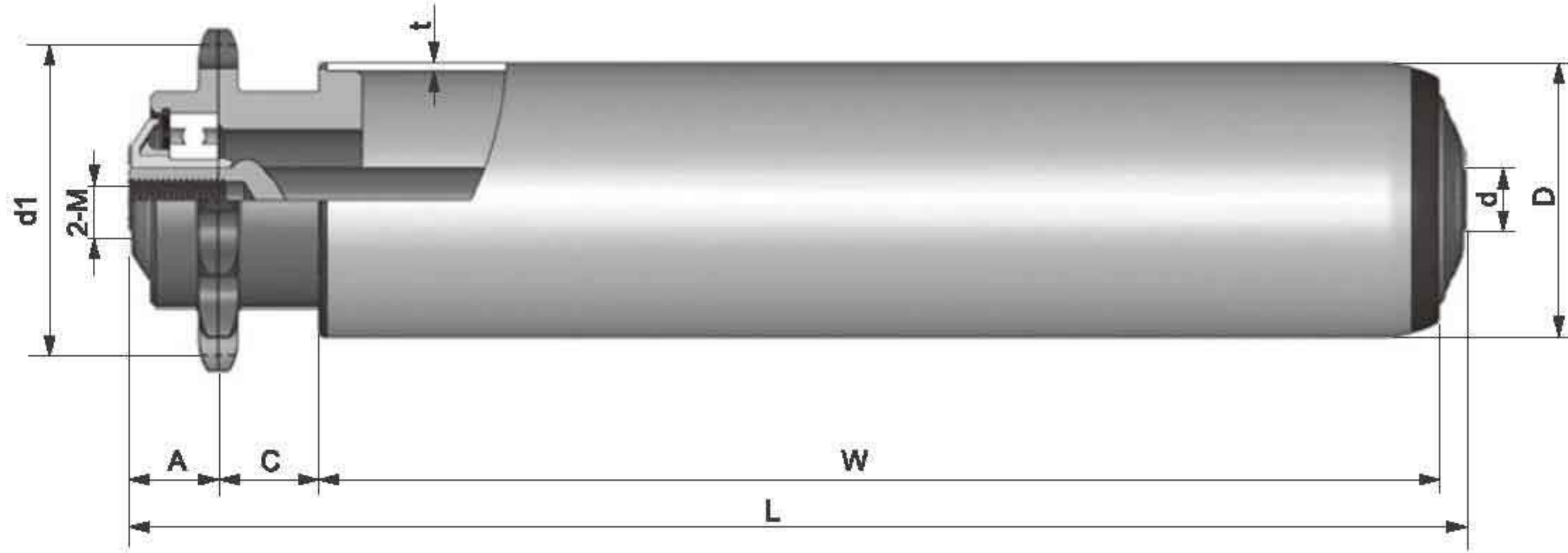


⚠ The above data shows the static load capacity of the roller for a uniformly distributed load.

[12|Roller|Bearing|Components](#)

1200L	1200T	1200M	1800L	1800T	1800M	2411	2421	2311	2321	2322	2230	2240	2250	2260	2280	3211
3221	3816	3826	1500	1600	2521	2624	2650	2660	3110	3120	C1	C2	C3	C4	C5	

## Model 2411 Steel Single Sprocket Roller



### Dimension Table

Tube Material	Tube Dia. x Thk.	Shaft Dia.	L&W	Sprocket	A	C	d1
	D/mm	d/mm	mm	Size	mm	mm	mm
Steel, Zinc Plated	Φ50x1.5	Φ12   Φ15	L=W+41	08B14T	17	18.5	Φ57.07
	Φ60x2.0	Φ12   Φ15	L=W+41	08B14T	17	18.5	Φ57.07
Stainless Steel 304	Φ50x1.5	Φ12   Φ15	L=W+41	08B14T	17	18.5	Φ57.07
	Φ60x2.0	Φ12   Φ15	L=W+41	08B14T	17	18.5	Φ57.07

Female thread on the shaft Φ12(M8\*15mm) | Φ15(M10\*20mm).

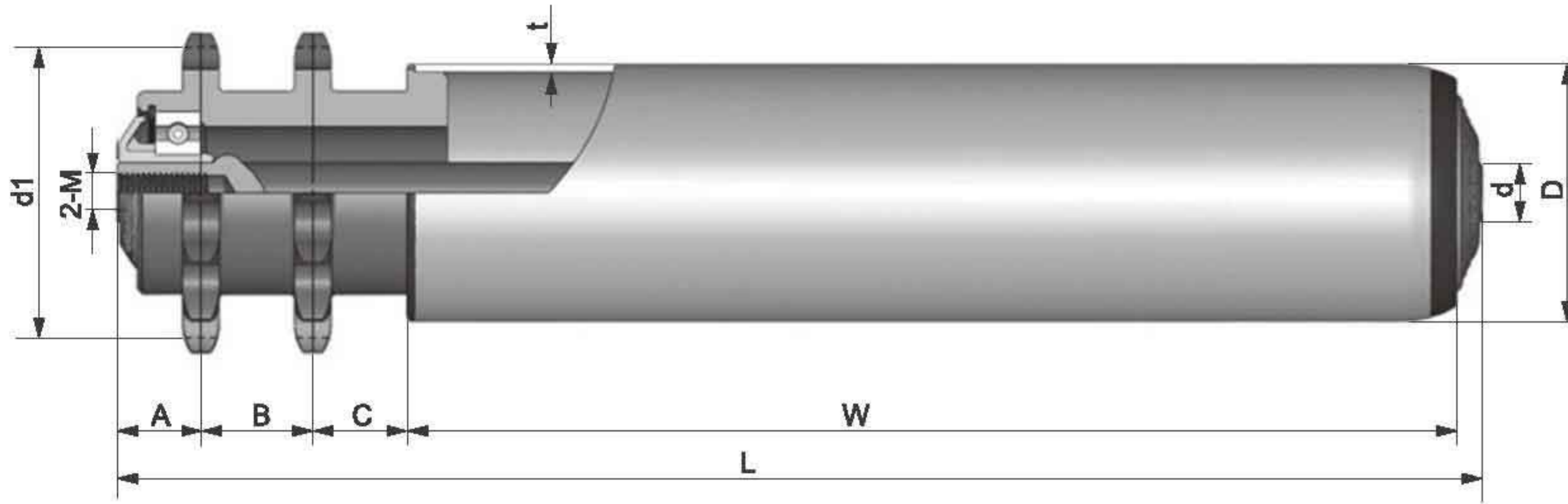
2mm | 3mm pvc soft sleeve is available for Φ50mm | Φ60mm roller.

### Product Features

<b>Tube Material</b>	Steel, Zinc Plated   Stainless Steel 304   Aluminium
<b>Shaft Material</b>	Steel, Zinc Plated   Stainless Steel 304
<b>Roller Bearing</b>	Bearing Housing: Steel, Zinc Plated
	Bearing Busher: Steel   Plastic, Black
	Bearing Number: 6001   6002   6202   6204 <a href="#">Catalogue Page Hyperlink: Plastic Roller Bearing!</a>
<b>Sprocket</b>	<a href="#">Catalogue Page Hyperlink: Steel Sprocket!</a>

# Driven Conveyor Roller Series

## Model 2421 Steel Double Sprocket Roller



Roller Tube  
Plastic Roller Bearing  
Steel Sprocket



Roller Tube  
Steel Sprocket  
Plastic Roller Bearing

### Dimension Table

Tube Material	Tube Dia. x Thk.	Shaft Dia.	L&W	Sprocket	A	B	C	d1
	D/mm	d/mm	mm	Size	mm	mm	mm	mm
Steel, Zinc Plated	Φ50x1.5	Φ12   Φ15	L=W+63	08B14T	17	22	18.5	Φ57.07
	Φ60x2.0	Φ12   Φ15	L=W+63	08B14T	17	22	18.5	Φ57.07
Stainless Steel 304	Φ50x1.5	Φ12   Φ15	L=W+63	08B14T	17	22	18.5	Φ57.07
	Φ60x2.0	Φ12   Φ15	L=W+63	08B14T	17	22	18.5	Φ57.07

Female thread on the shaft Φ12(M8\*15mm) | Φ15(M10\*20mm).

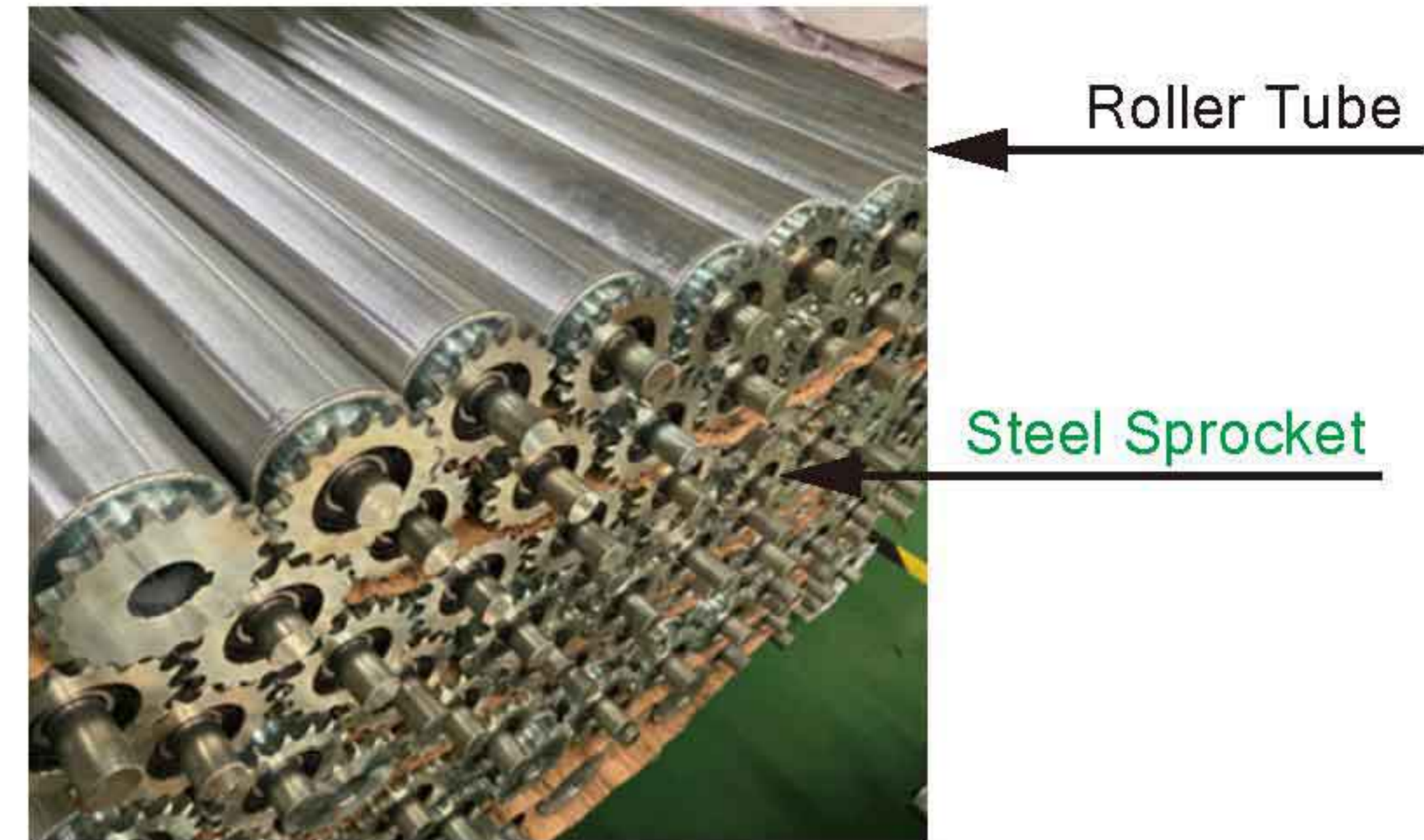
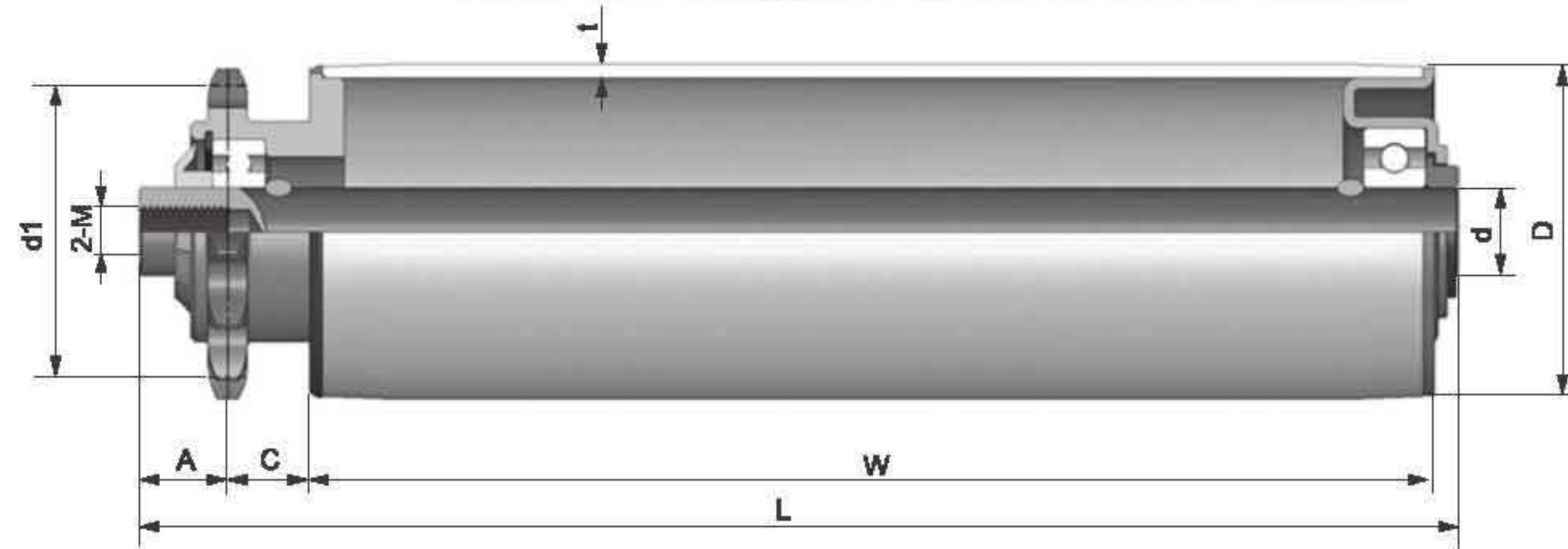
2mm | 3mm pvc soft sleeve is available for Φ50mm | Φ60mm roller.

### Product Features

<b>Tube Material</b>	Steel, Zinc Plated   Stainless Steel 304   Aluminium
<b>Shaft Material</b>	Steel, Zinc Plated   Stainless Steel 304
<b>Roller Bearing</b>	Bearing Housing: Plastic, Black
	End Cap: Plastic, Yellow
	Bearing Number: 6001   6002   6202   6204 <a href="#">Catalogue Page Hyperlink: Plastic Roller Bearing!</a>
<b>Sprocket</b>	<a href="#">Catalogue Page Hyperlink: Steel Sprocket!</a>

# Driven Conveyor Roller Series

## Model 2311 Steel Single Sprocket Roller



### Dimension Table

Tube Material	Tube Dia. x Thk.	Shaft Dia.	L&W	Sprocket	A	C	d1
	D/mm	d/mm	mm	Size	mm	mm	mm
Steel, Zinc Plated	Φ50x1.5	Φ12   Φ15	L=W+41	08B11T	17	18.5	Φ45.08
	Φ50x2.0	Φ12   Φ15	L=W+41	08B11T	17	18.5	Φ45.08
	Φ50x1.5	Φ12   Φ15	L=W+41	08B14T	17	18.5	Φ57.07
	Φ50x2.0	Φ12   Φ15	L=W+41	08B14T	17	18.5	Φ57.07
	Φ60x2.0	Φ12   Φ15	L=W+41	08B14T	17	18.5	Φ57.07
	Φ60x3.0	Φ12   Φ15	L=W+41	08B14T	17	18.5	Φ57.07
	Φ76x3.0	Φ15   Φ20	L=W+41	08B14T	17	18.5	Φ57.07
	Φ76x3.75	Φ15   Φ20	L=W+41	08B14T	17	18.5	Φ57.07
	Φ76x3.0	Φ15   Φ20	L=W+44	10A13T	20	18.5	Φ66.33
	Φ76x3.75	Φ15   Φ20	L=W+44	10A13T	20	18.5	Φ66.33
	Φ80x3.0	Φ20	L=W+44	10B15T	20	18.5	Φ76.35
	Φ89x3.0	Φ20	L=W+44	10B15T	20	18.5	Φ76.35
Stainless Steel 304	Φ50x1.5	Φ12   Φ15	L=W+41	08B11T	17	18.5	Φ45.08
	Φ50x1.5	Φ12   Φ15	L=W+41	08B14T	17	18.5	Φ57.07
	Φ60x2.0	Φ12   Φ15	L=W+41	08B14T	17	18.5	Φ57.07
	Φ76x3.0	Φ15   Φ20	L=W+44	10A13T	20	18.5	Φ66.33

1, Female thread on the shaft Φ12(M8\*15mm) | Φ15(M10\*20mm) | Φ20(M12\*25mm).

2, 2mm/3mm pvc soft sleeve is available for Φ50mm | Φ60mm roller.

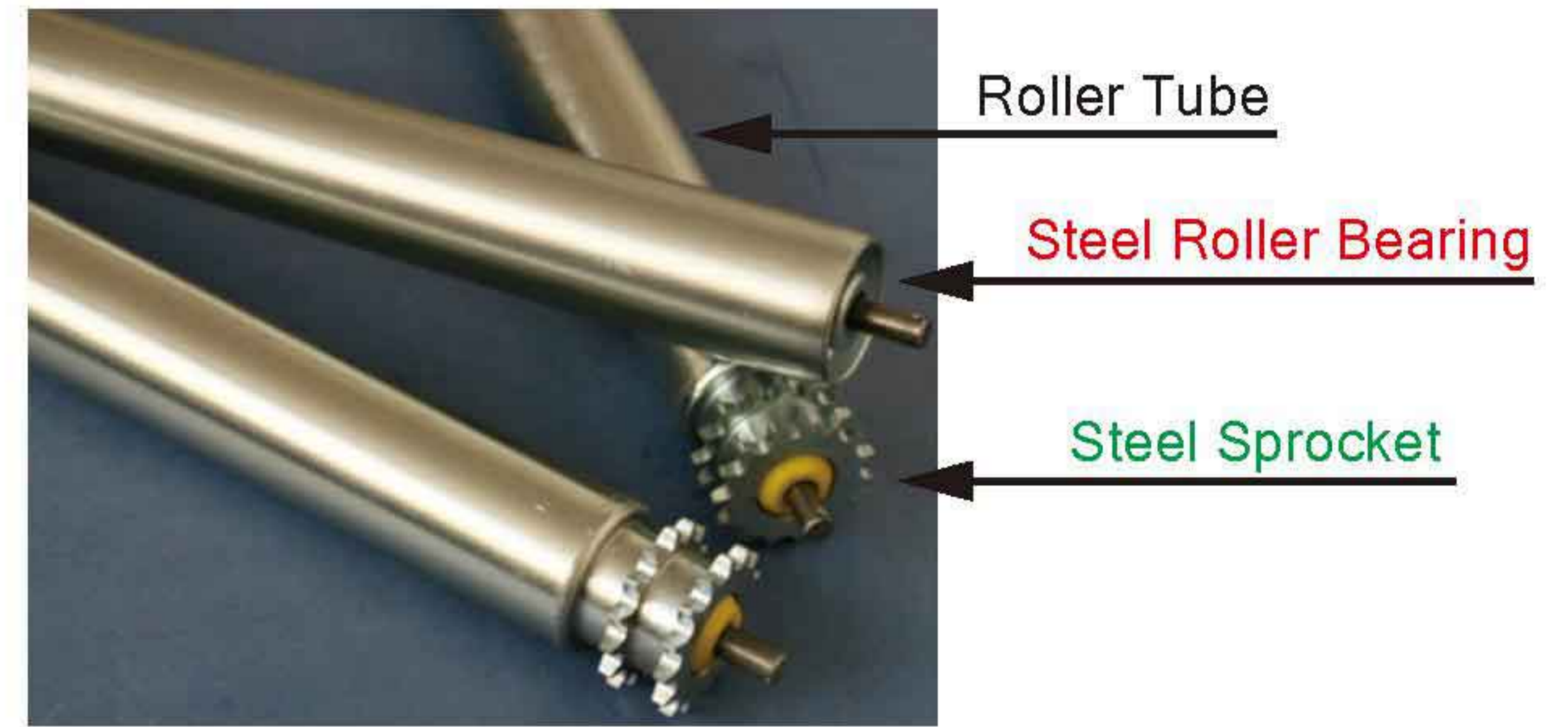
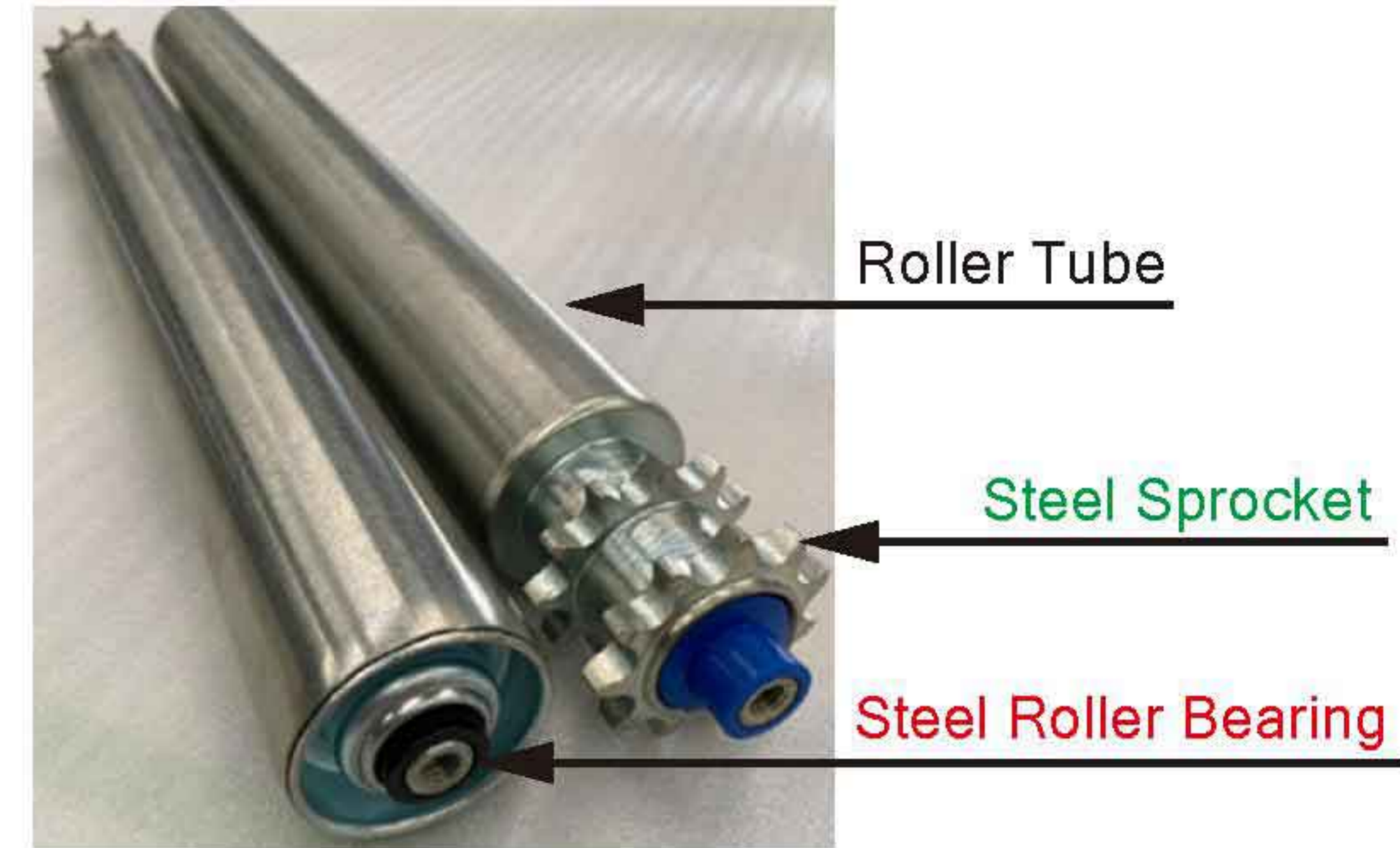
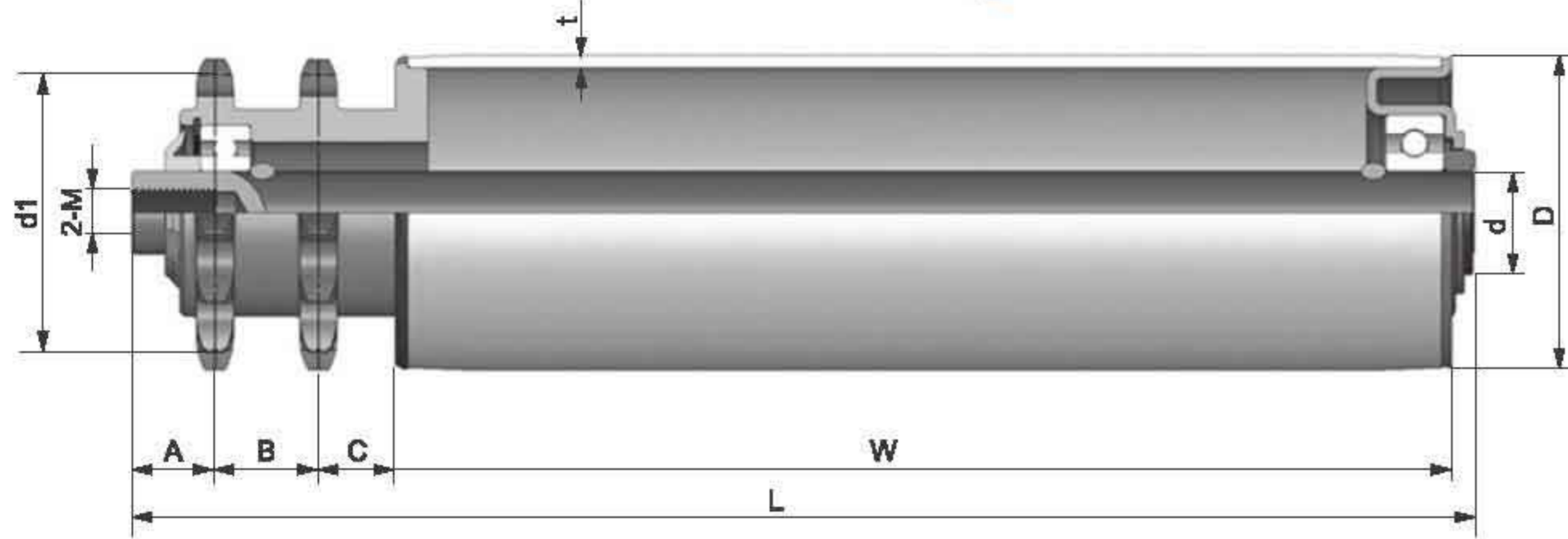
3, Steel frange can be welded outer of Φ76mm | Φ89mm roller.

### Product Features

<b>Tube Material</b>	Steel, Zinc Plated   Stainless Steel 304   Aluminium
<b>Shaft Material</b>	Steel, Zinc Plated   Stainless Steel 304
<b>Roller Bearing</b>	Bearing Housing: Steel, Zinc Plated
	Bearing Busher: Steel   Plastic, Black
	Bearing Number: 6001   6002   6202   6204 <a href="#">Catalogue Page Hyperlink: Plastic Roller Bearing!</a>
<b>Sprocket</b>	<a href="#">Catalogue Page Hyperlink: Steel Sprocket!</a>

# Driven Conveyor Roller Series

## Model 2321 Steel Double Sprocket Roller



### Dimension Table

Tube Material	Tube Dia. x Thk. D/mm	Shaft Dia. d/mm	L&W mm	Sprocket Size	A mm	B mm	C mm	d1 mm
Steel, Zinc Plated	Φ50x1.5	Φ12   Φ15	L=W+63	08B11T	17	22	18.5	Φ45.08
	Φ50x2.0	Φ12   Φ15	L=W+63	08B11T	17	22	18.5	Φ45.08
	Φ50x1.5	Φ12   Φ15	L=W+63	08B14T	17	22	18.5	Φ57.07
	Φ50x2.0	Φ12   Φ15	L=W+63	08B14T	17	22	18.5	Φ57.07
	Φ60x2.0	Φ12   Φ15	L=W+63	08B14T	17	22	18.5	Φ57.07
	Φ60x3.0	Φ12   Φ15	L=W+63	08B14T	17	22	18.5	Φ57.07
	Φ76x3.0	Φ15   Φ20	L=W+63	08B14T	17	22	18.5	Φ57.07
	Φ76x3.75	Φ15   Φ20	L=W+63	08B14T	17	22	18.5	Φ57.07
	Φ76x3.0	Φ15   Φ20	L=W+69	10A13T	20	25	18.5	Φ66.33
	Φ76x3.75	Φ15   Φ20	L=W+69	10A13T	20	25	18.5	Φ66.33
	Φ80x3.0	Φ20	L=W+69	10B15T	20	25	18.5	Φ76.35
	Φ89x3.0	Φ20	L=W+69	10B15T	20	25	18.5	Φ76.35
	Φ89x3.75	Φ20	L=W+69	10B15T	20	25	18.5	Φ76.35
Stainless Steel 304	Φ50x1.5	Φ12   Φ15	L=W+63	08B11T	17	22	18.5	Φ45.08
	Φ50x1.5	Φ12   Φ15	L=W+63	08B14T	17	22	18.5	Φ57.07
	Φ60x2.0	Φ12   Φ15	L=W+63	08B14T	17	22	18.5	Φ57.07
	Φ76x3.0	Φ15   Φ20	L=W+69	10A13T	20	25	18.5	Φ66.33

1, Female thread on the shaft Φ12(M8\*15mm) | Φ15(M10\*20mm) | Φ20(M12\*25mm).

2, 2mm | 3mm pvc soft sleeve is available for Φ50mm | Φ60mm roller.

3, Steel frange can be welded outer of Φ76mm | Φ89mm roller.

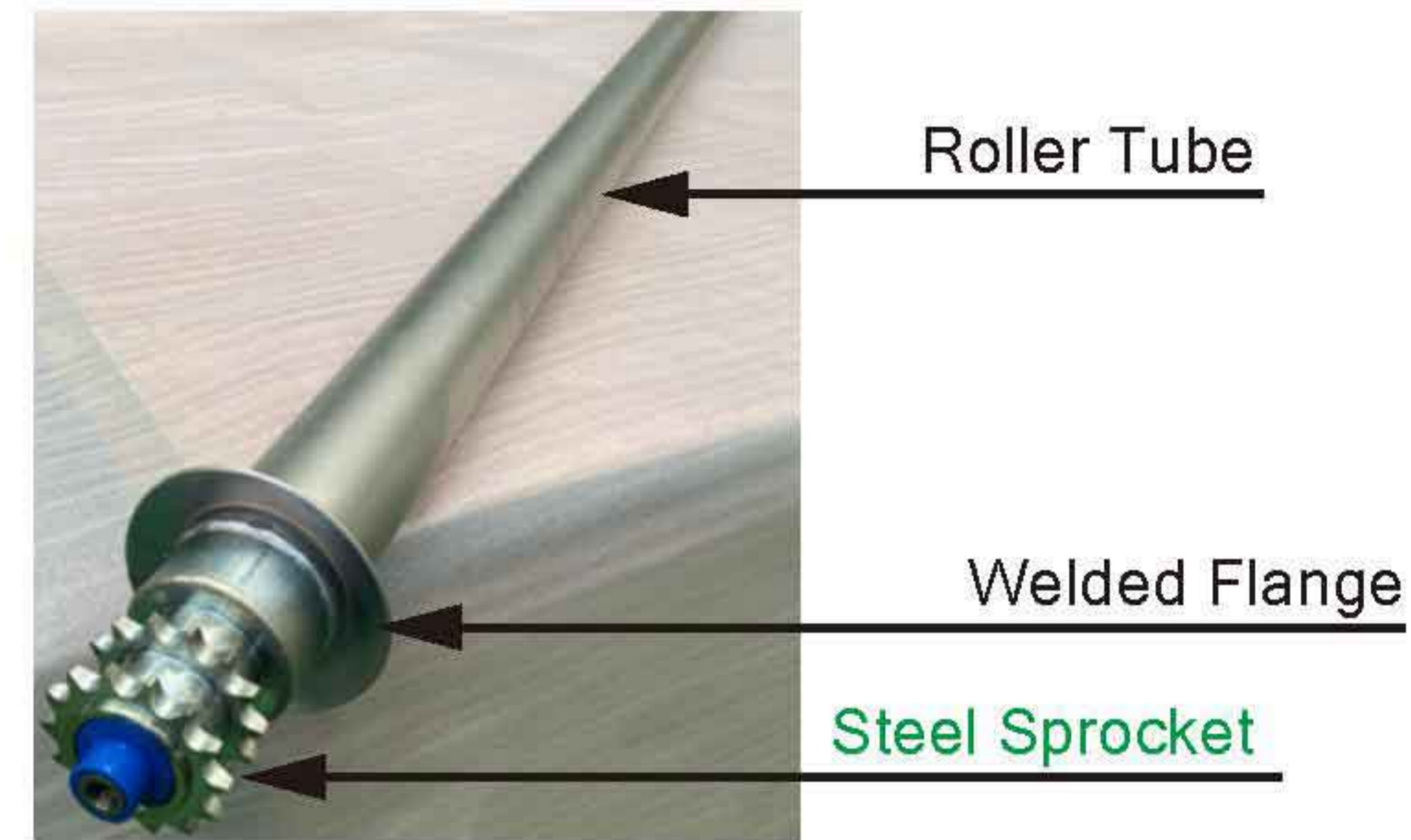
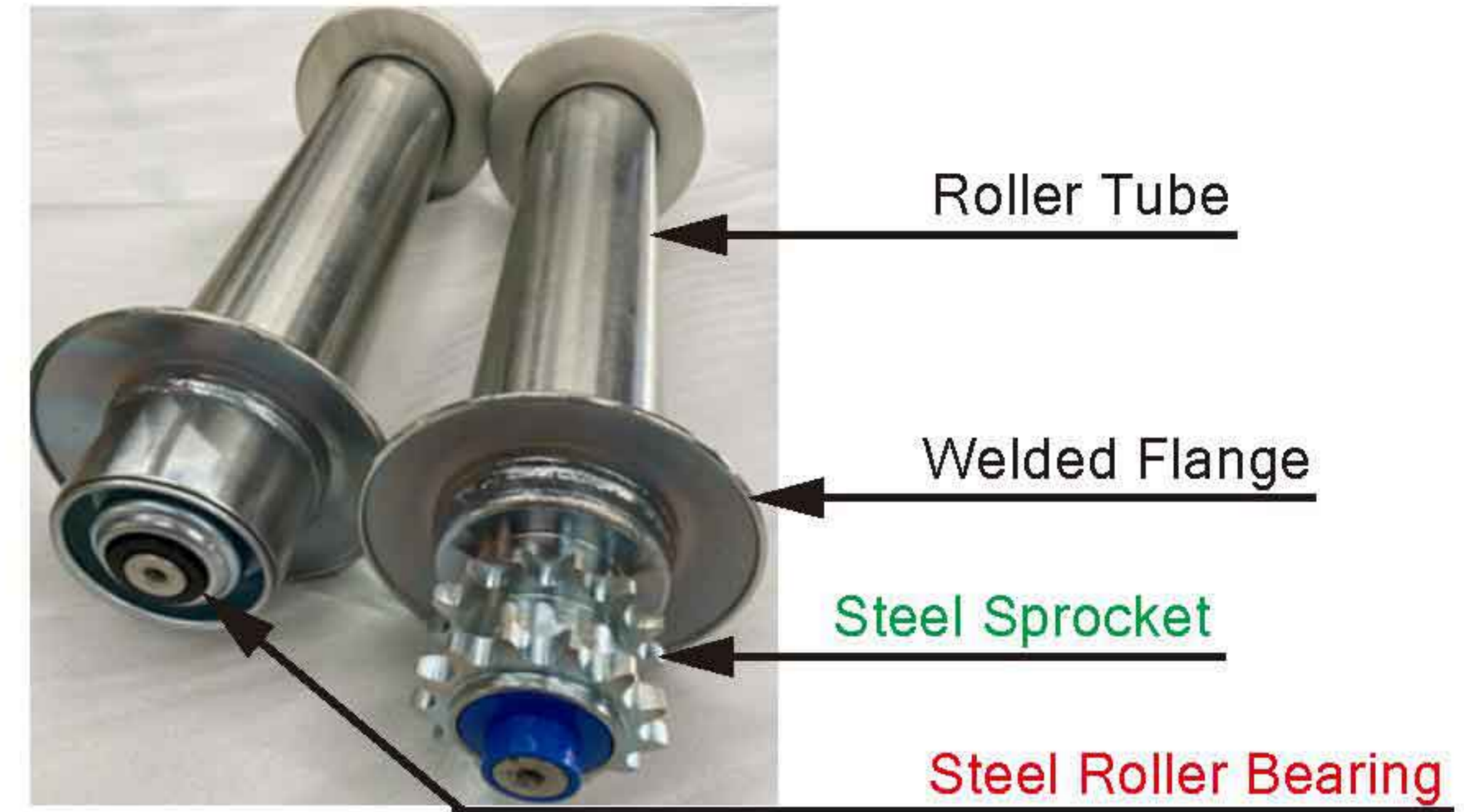
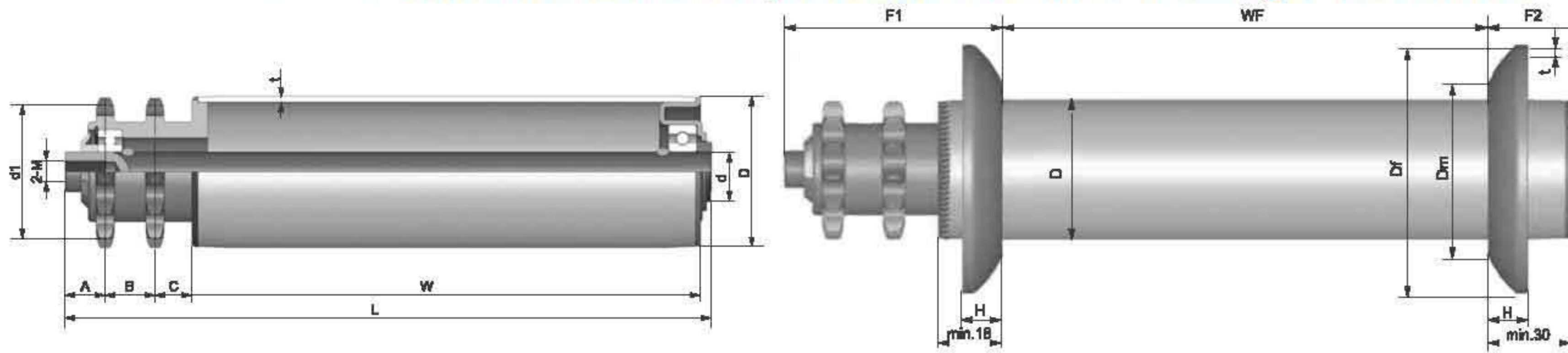
### Product Features

<b>Tube Material</b>	Steel, Zinc Plated   Stainless Steel 304   Aluminium
<b>Shaft Material</b>	Steel, Zinc Plated   Stainless Steel 304
<b>Roller Bearing</b>	Bearing Housing: Steel, Zinc Plated
	Bearing Busher: Steel   Plastic, Black
	Bearing Number: 6001   6002   6202   6204 <a href="#">Catalogue Page Hyperlink: Plastic Roller Bearing!</a>
<b>Sprocket</b>	<a href="#">Catalogue Page Hyperlink: Steel Sprocket!</a>



# Driven Conveyor Roller Series

## Model 2322 Steel Double Sprocket Roller-Flange Welded



### Dimension Table

Tube Material	Tube Dia. x Thk. D/mm	Shaft Dia. d/mm	L&W mm	Sprocket Size	A mm	B mm	C mm	d1 mm
Steel, Zinc Plated	Φ60x2.0	Φ12   Φ15	L=W+63	08B14T	17	22	18.5	Φ57.07
	Φ60x3.0	Φ12   Φ15	L=W+63	08B14T	17	22	18.5	Φ57.07
	Φ76x3.0	Φ15   Φ20	L=W+63	08B14T	17	22	18.5	Φ57.07
	Φ76x3.75	Φ15   Φ20	L=W+63	08B14T	17	22	18.5	Φ57.07
	Φ76x3.0	Φ15   Φ20	L=W+69	10A13T	20	25	18.5	Φ66.33
	Φ76x3.75	Φ15   Φ20	L=W+69	10A13T	20	25	18.5	Φ66.33
	Φ80x3.0	Φ20	L=W+69	10B15T	20	25	18.5	Φ76.35
	Φ89x3.0	Φ20	L=W+69	10B15T	20	25	18.5	Φ76.35
	Φ89x3.75	Φ20	L=W+69	10B15T	20	25	18.5	Φ76.35
Stainless Steel 304	Φ60x2.0	Φ12   Φ15	L=W+63	08B14T	17	22	18.5	Φ57.07
	Φ76x3.0	Φ15   Φ20	L=W+69	10A13T	20	25	18.5	Φ66.33

1, Female thread on the shaft Φ12(M8\*15mm) | Φ15(M10\*20mm) | Φ20(M12\*25mm).

2, Steel frange can be welded outer of Φ60mm | Φ76mm | Φ89mm roller.

### Flange Dimension Table

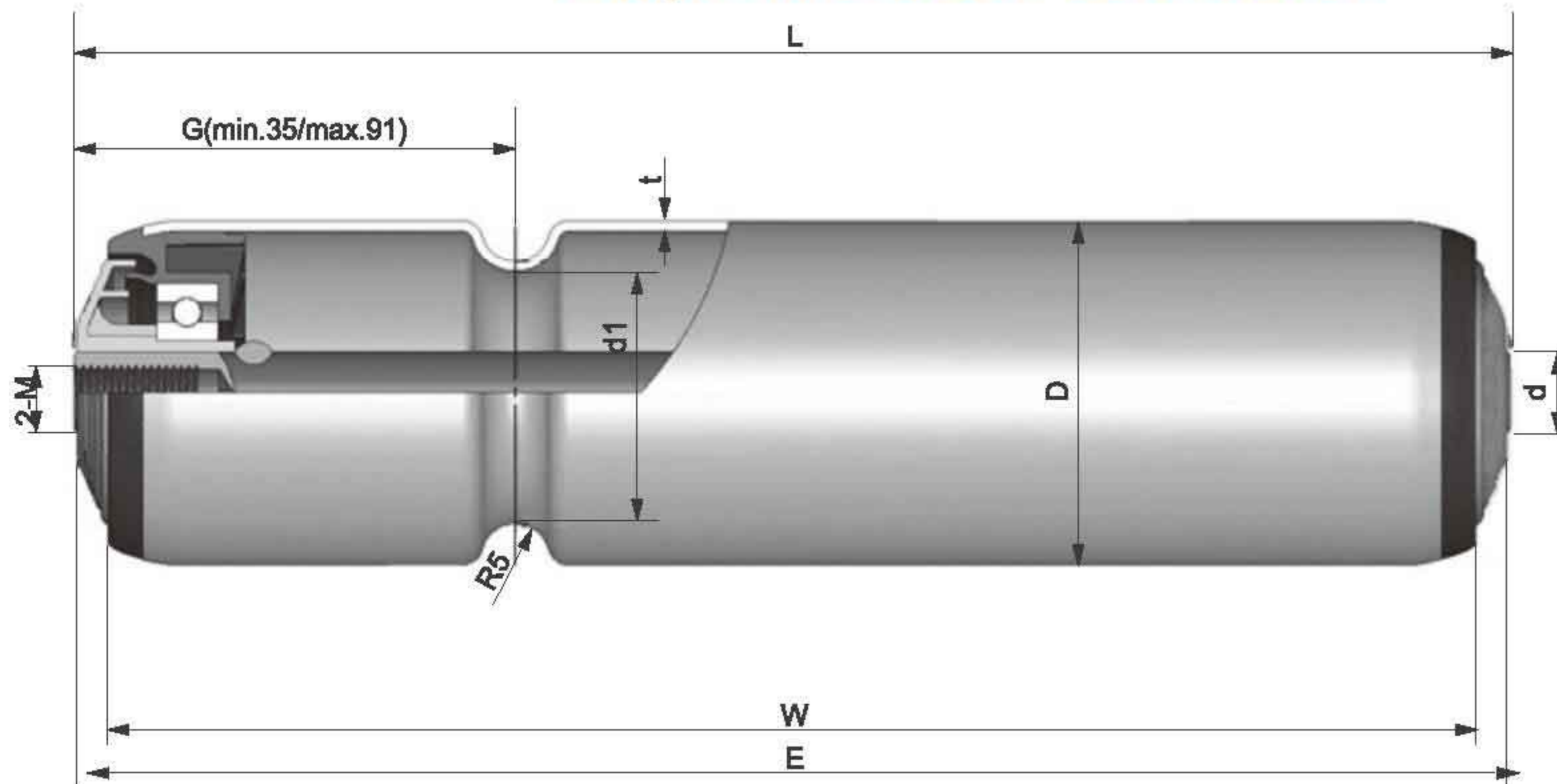
Flange Material	Tube Dia.	Flange OD.	Flange ID.	Flange Height	Flange Thk.
	D/mm	Df/mm	Dm/mm	H/mm	t/mm
Steel, Zinc Plated & Stainless Steel 304	Φ60	Φ100	Φ60	10	2
	Φ76	Φ135	Φ88.5	16.5	4
	Φ89	Φ150	Φ110	18	4

### Product Features

<b>Tube Material</b>	Steel, Zinc Plated   Stainless Steel 304   Aluminium
<b>Shaft Material</b>	Steel, Zinc Plated   Stainless Steel 304
<b>Roller Bearing</b>	Bearing Housing: Steel, Zinc Plated
	Bearing Busher: Steel   Plastic, Black
	Bearing Number: 6001   6002   6202   6204 <a href="#">Catalogue Page Hyperlink: Plastic Roller Bearing!</a>
<b>Sprocket</b>	<a href="#">Catalogue Page Hyperlink: Steel Sprocket!</a>

# Driven Conveyor Roller Series

## Model 2230 Single Grooved O-Belt Roller



Roller Tube

Plastic Roller Bearing



Roller Tube

Plastic Roller Bearing

### Dimension Table

Tube Material	Tube Dia. x Thk.	Shaft Dia.	E&W	L&W	G	d1
	D/mm	d/mm	mm	mm	mm	mm
Steel, Zinc Plated	Φ50x1.5	Φ12   Φ15	E=W+9	L=W+10	65	Φ38.5
	Φ60x2.0	Φ12   Φ15	E=W+9	L=W+10	65	Φ48.0
Stainless Steel 304	Φ50x1.5	Φ12   Φ15	E=W+9	L=W+10	65	Φ38.5
	Φ60x2.0	Φ12   Φ15	E=W+9	L=W+10	65	Φ48.0

1, Female thread on the shaft Φ12(M8\*15mm) | Φ Φ15(M10\*20mm).

2, 2mm | 3mm pvc soft sleeve is available for Φ50mm | Φ60mm roller.

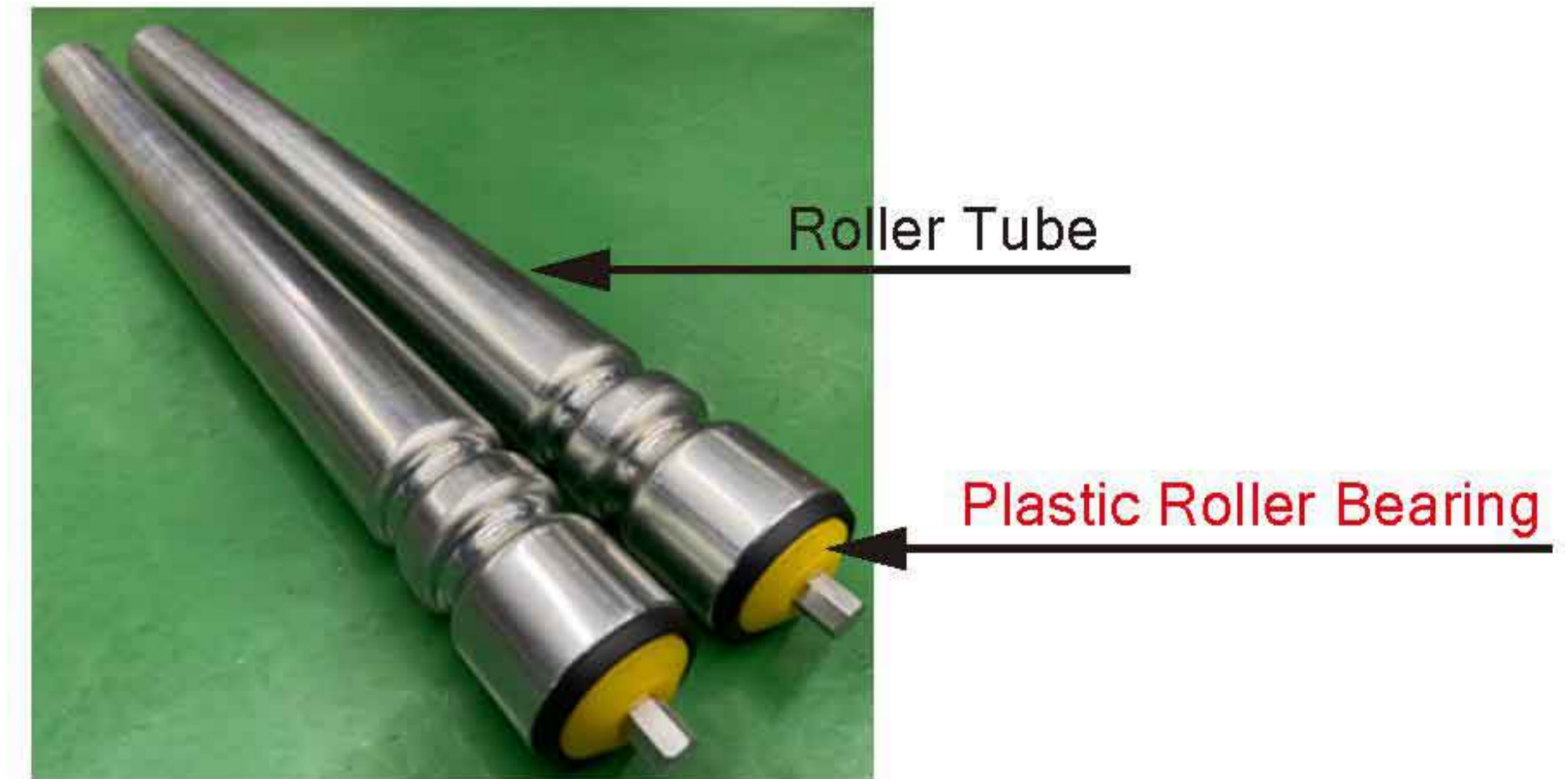
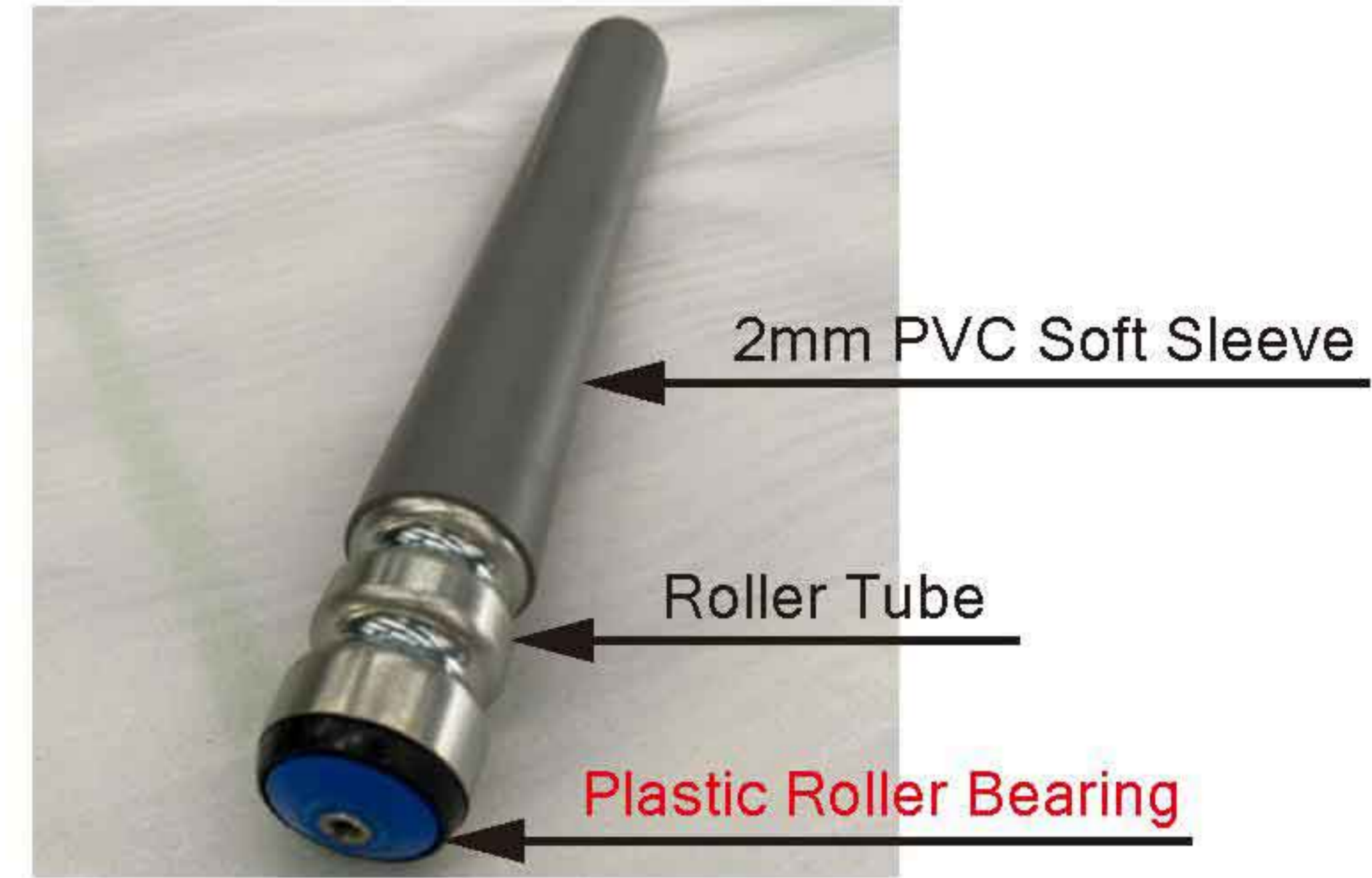
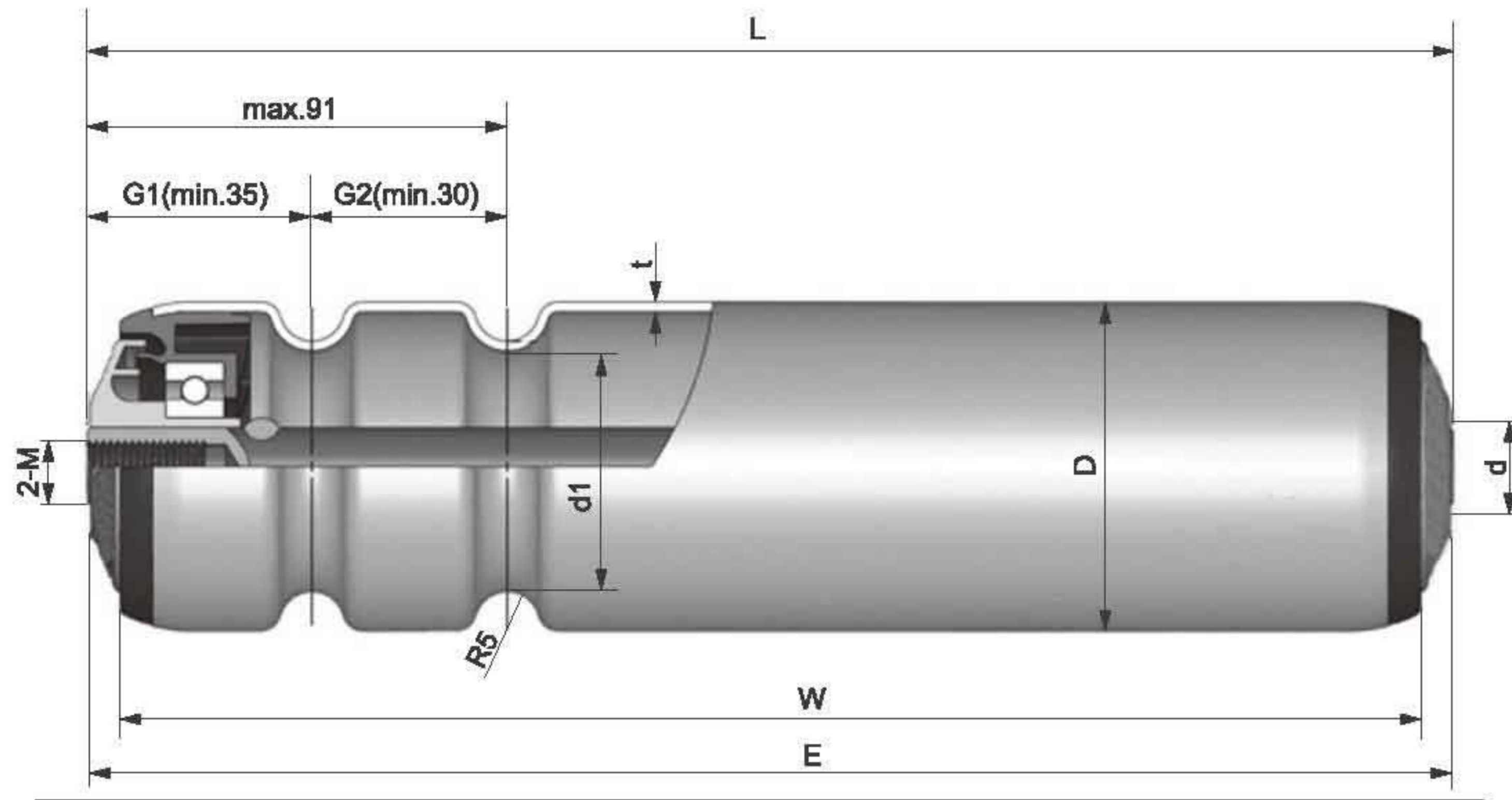
### Product Features

<b>Tube Material</b>	Steel, Zinc Plated   Stainless Steel 304   Aluminium
<b>Shaft Material</b>	Steel, Zinc Plated   Stainless Steel 304
<b>Roller Bearing</b>	Bearing Housing: Plastic, Black
	End Cap: Plastic, Yellow
	Bearing Number: 6002   6003   6804
<b>Catalogue Page Hyperlink: Plastic Roller Bearing!</b>	

[18|Roller|Bearing|Components](#)

1200L	1200T	1200M	1800L	1800T	1800M	2411	2421	2311	2321	2322	2230	2240	2250	2260	2280	3211
3221	3816	3826	1500	1600	2521	2624	2650	2660	3110	3120	C1	C2	C3	C4	C5	

## Model 2240 Double Grooved O-Belt Roller



### Dimension Table

Tube Material	Tube Dia. x Thk.	Shaft Dia.	E&W	L&W	G1	G2	d1
	D/mm	d/mm	mm	mm	mm	mm	mm
Steel, Zinc Plated	Φ50x1.5	Φ12   Φ15	E=W+9	L=W+10	35	30	Φ38.5
	Φ60x2.0	Φ12   Φ15	E=W+9	L=W+10	35	30	Φ48.0
Stainless Steel 304	Φ50x1.5	Φ12   Φ15	E=W+9	L=W+10	35	30	Φ38.5
	Φ60x2.0	Φ12   Φ15	E=W+9	L=W+10	35	30	Φ48.0

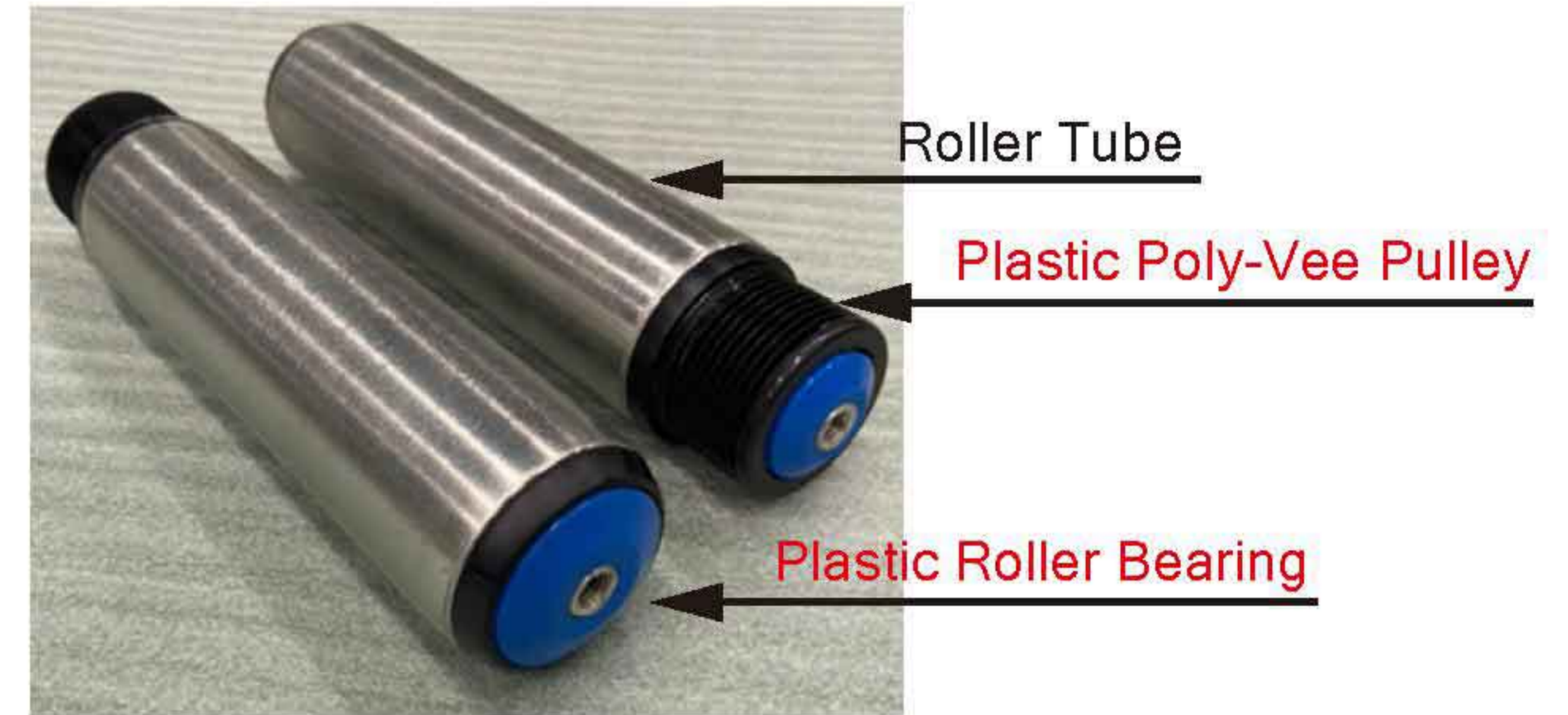
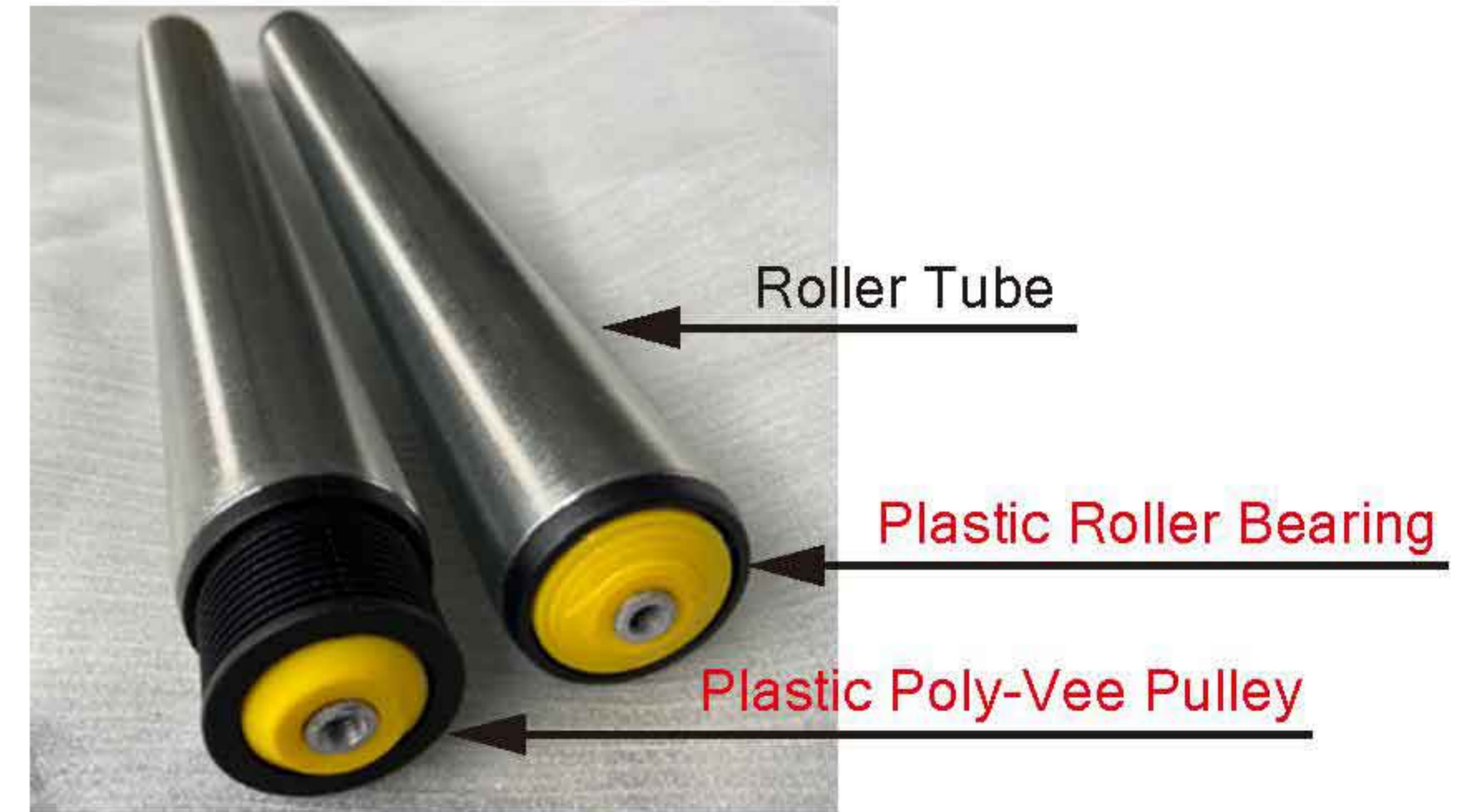
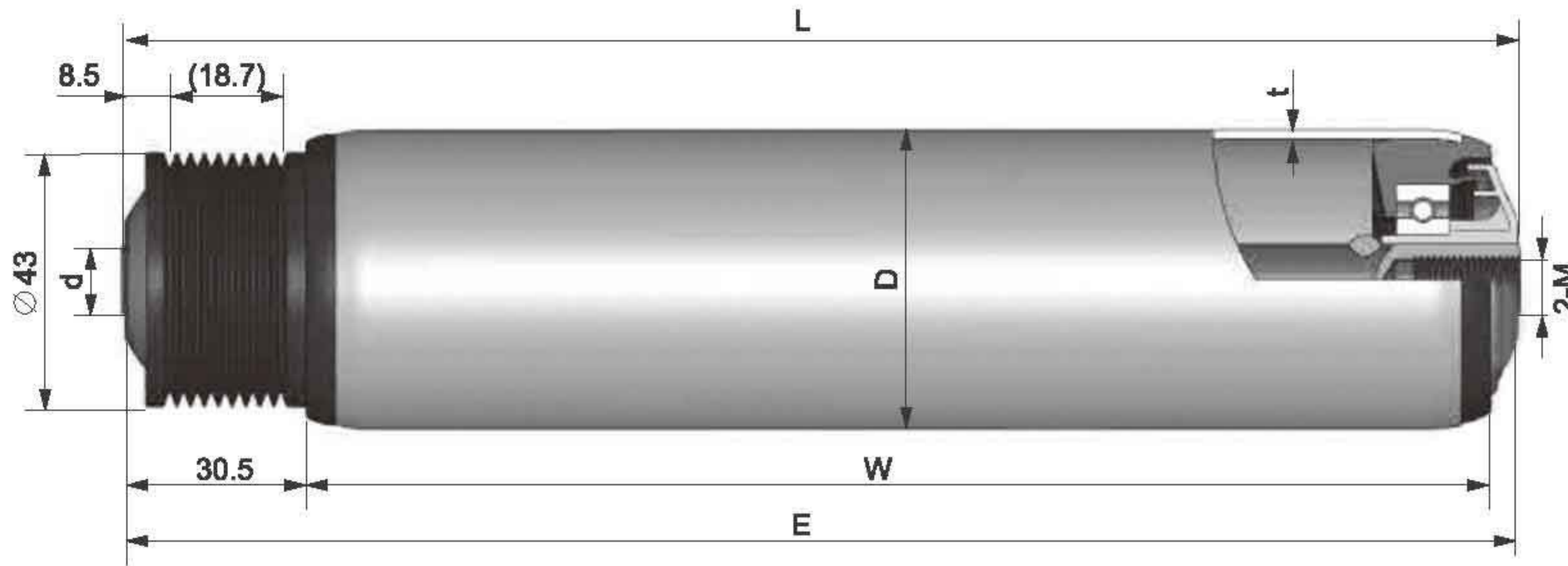
1, Female thread on the shaft Φ12(M8\*15mm) | Φ15(M10\*20mm).

2, 2mm/3mm pvc soft sleeve is available for Φ50mm | Φ60mm roller.

### Product Features

<b>Tube Material</b>	Steel, Zinc Plated   Stainless Steel 304   Aluminium
<b>Shaft Material</b>	Steel, Zinc Plated   Stainless Steel 304
<b>Roller Bearing</b>	Bearing Housing: Plastic, Black
	End Cap: Plastic, Yellow
	Bearing Number: 6002   6003   6804
<b>Catalogue Page Hyperlink: <a href="#">Plastic Roller Bearing!</a></b>	

## Model 2250 Poly-Vee Pulley Roller



### Dimension Table

Tube Material	Tube Dia. x Thk.	Shaft Dia.	E&W	L&W
	D/mm	d/mm	mm	mm
Steel, Zinc Plated	Φ50x1.5	Φhex11   Φ12	E=W+35	L=W+36
Stainless Steel 304	Φ50x1.5	Φhex11   Φ12	E=W+35	L=W+36

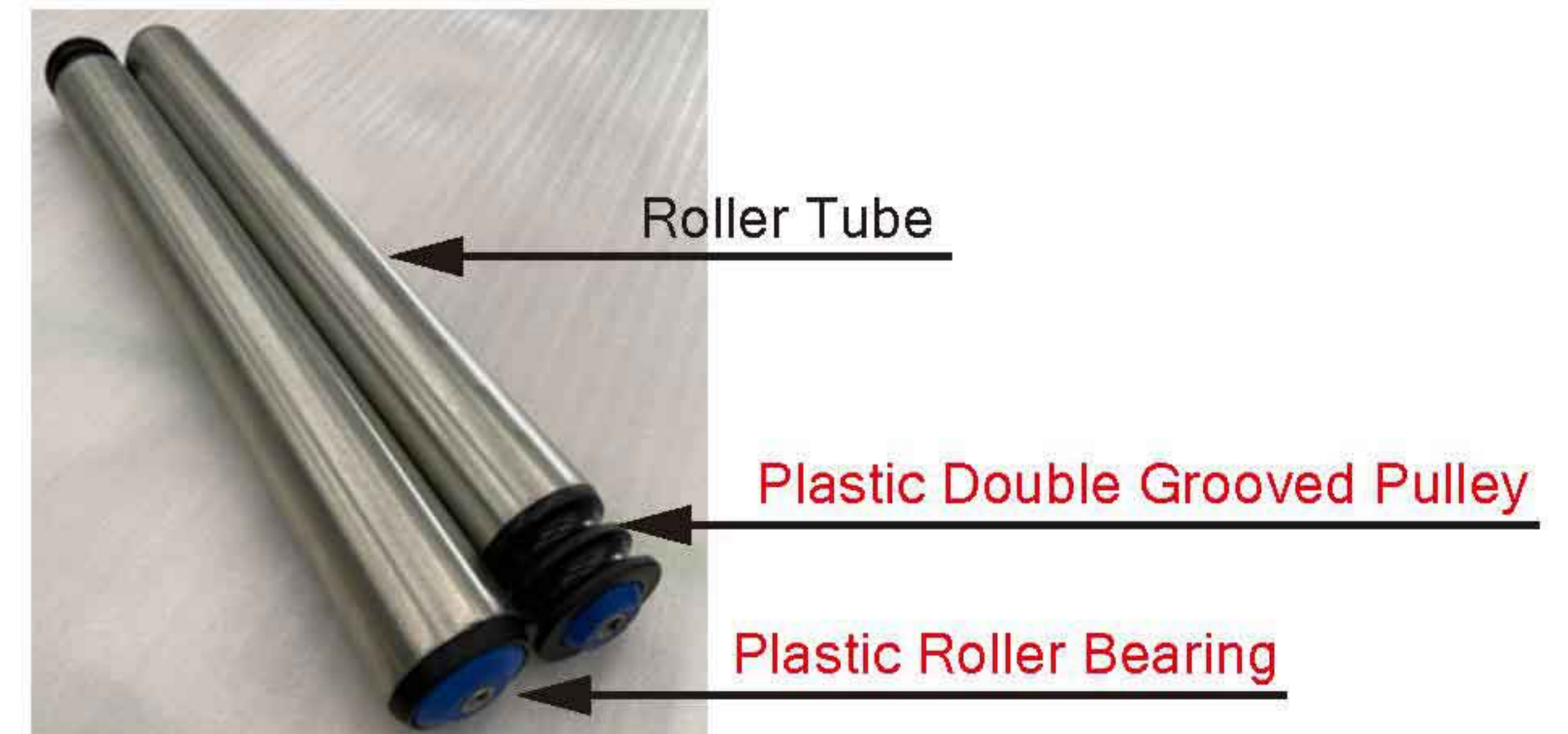
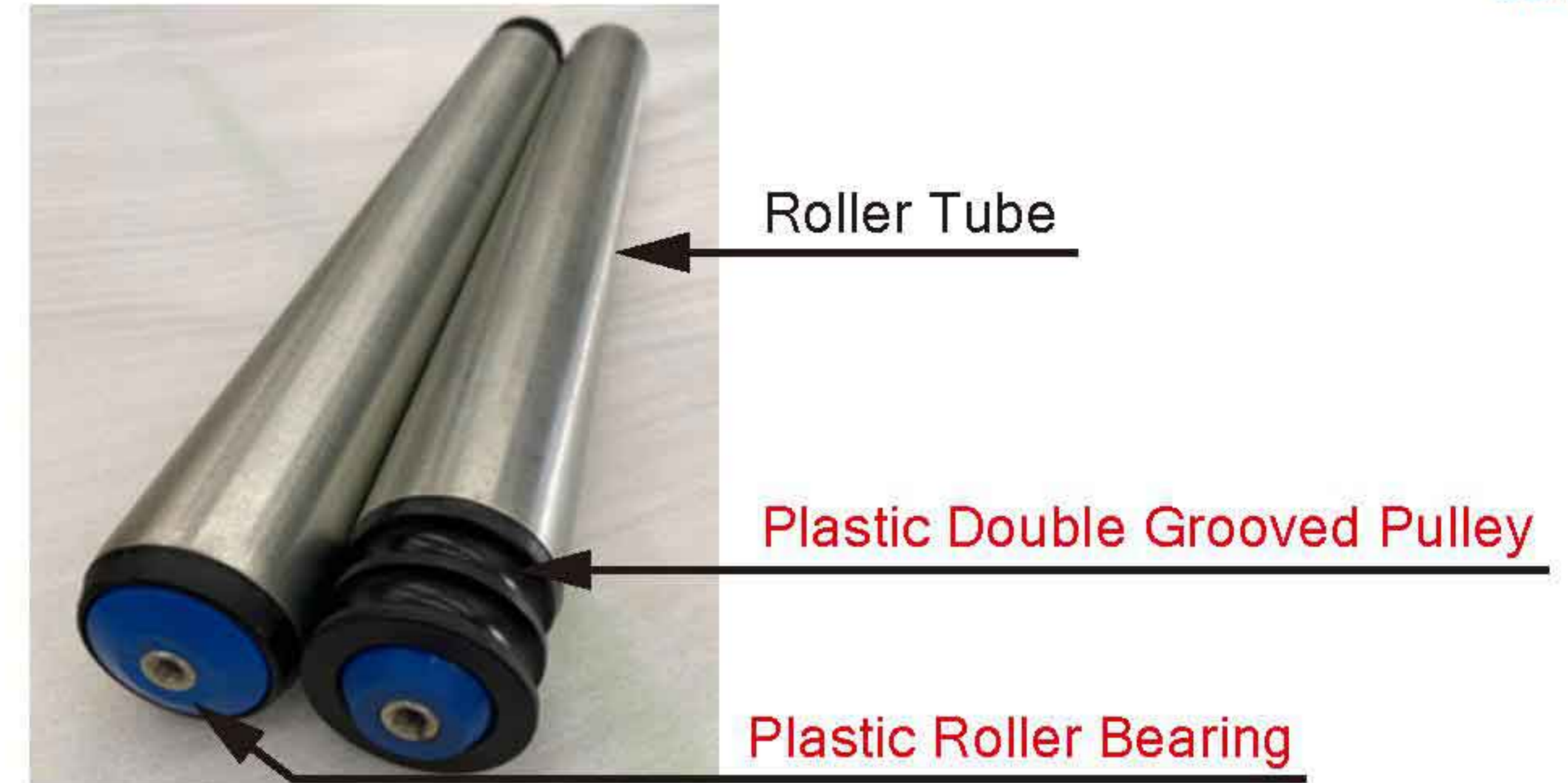
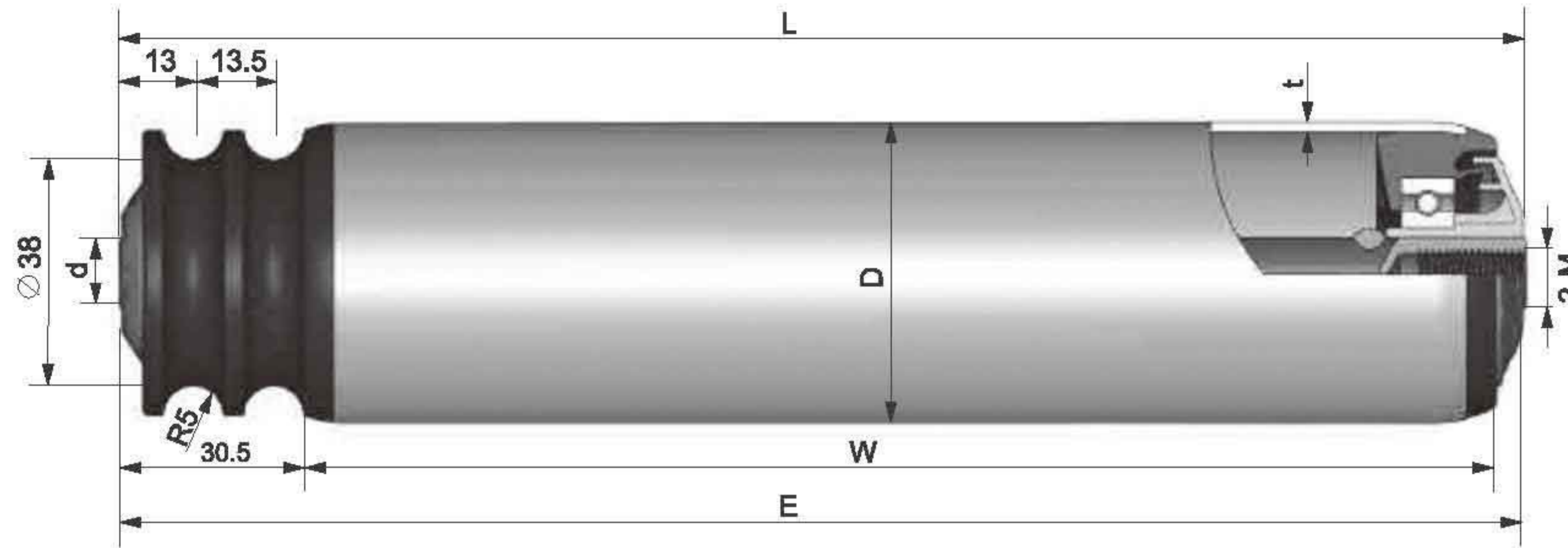
1, Female thread on the shaft Φ12(M8\*15mm) | Φ15(M10\*20mm).

2, 2mm | 3mm pvc soft sleeve is available for Φ50mm | Φ60mm roller.

### Product Features

<b>Tube Material</b>	Steel, Zinc Plated   Stainless Steel 304   Aluminium
<b>Shaft Material</b>	Steel, Zinc Plated   Stainless Steel 304
<b>Roller Bearing</b>	Bearing Housing: Plastic, Black
	End Cap: Plastic, Yellow
	Bearing Number: 6002   6003   6804
	<a href="#">Catalogue Page Hyperlink: Plastic Roller Bearing!</a>
	<a href="#">Catalogue Page Hyperlink: Plastic Poly-Vee Pulley!</a>

## Model 2260 Double Grooved Pulley Roller



### Dimension Table

Tube Material	Tube Dia. x Thk.	Shaft Dia.	E&W	L&W
	D/mm	d/mm	mm	mm
Steel, Zinc Plated	Φ50x1.5	Φhex11   Φ12	E=W+35	L=W+36
Stainless Steel 304	Φ50x1.5	Φhex11   Φ12	E=W+35	L=W+36

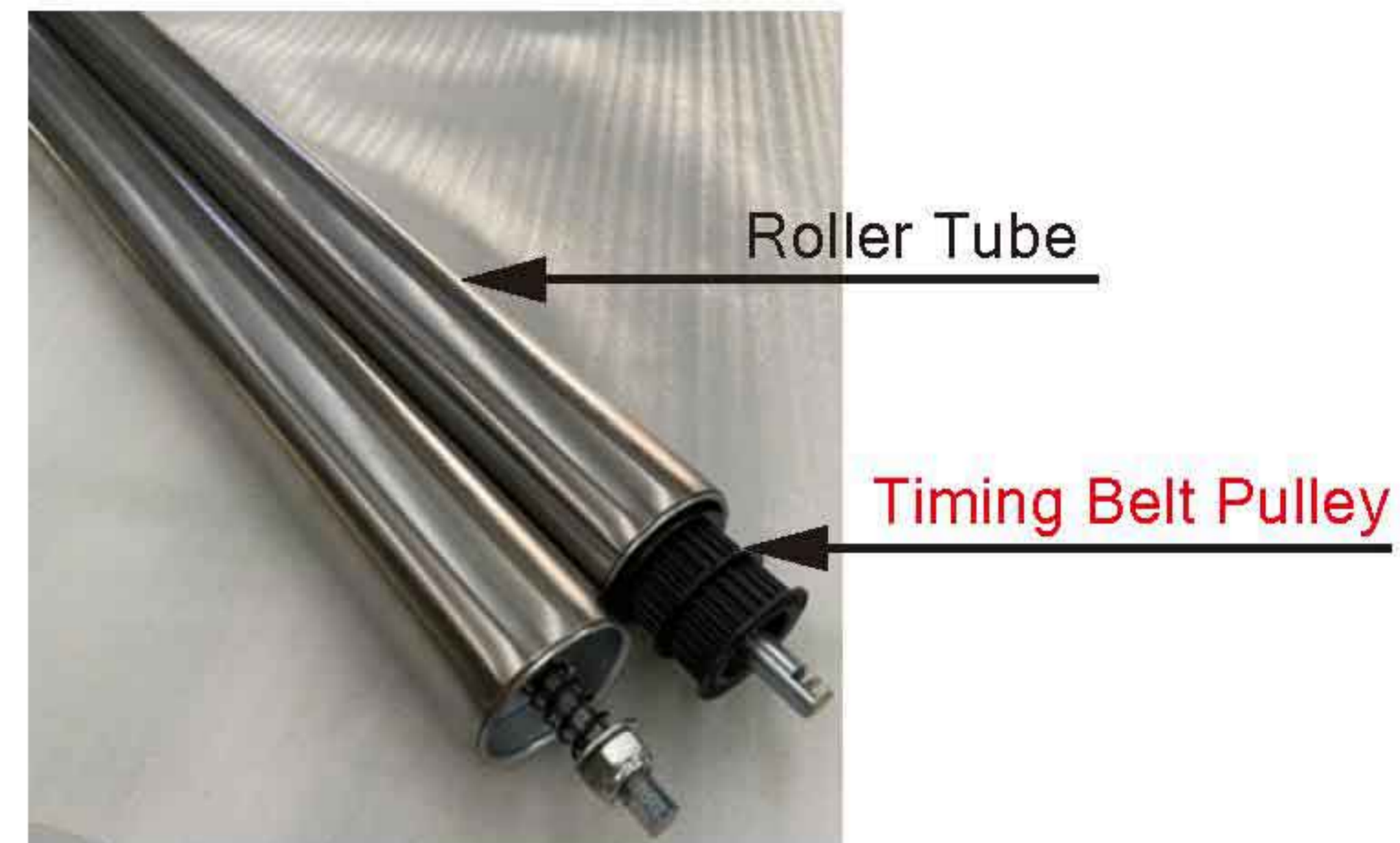
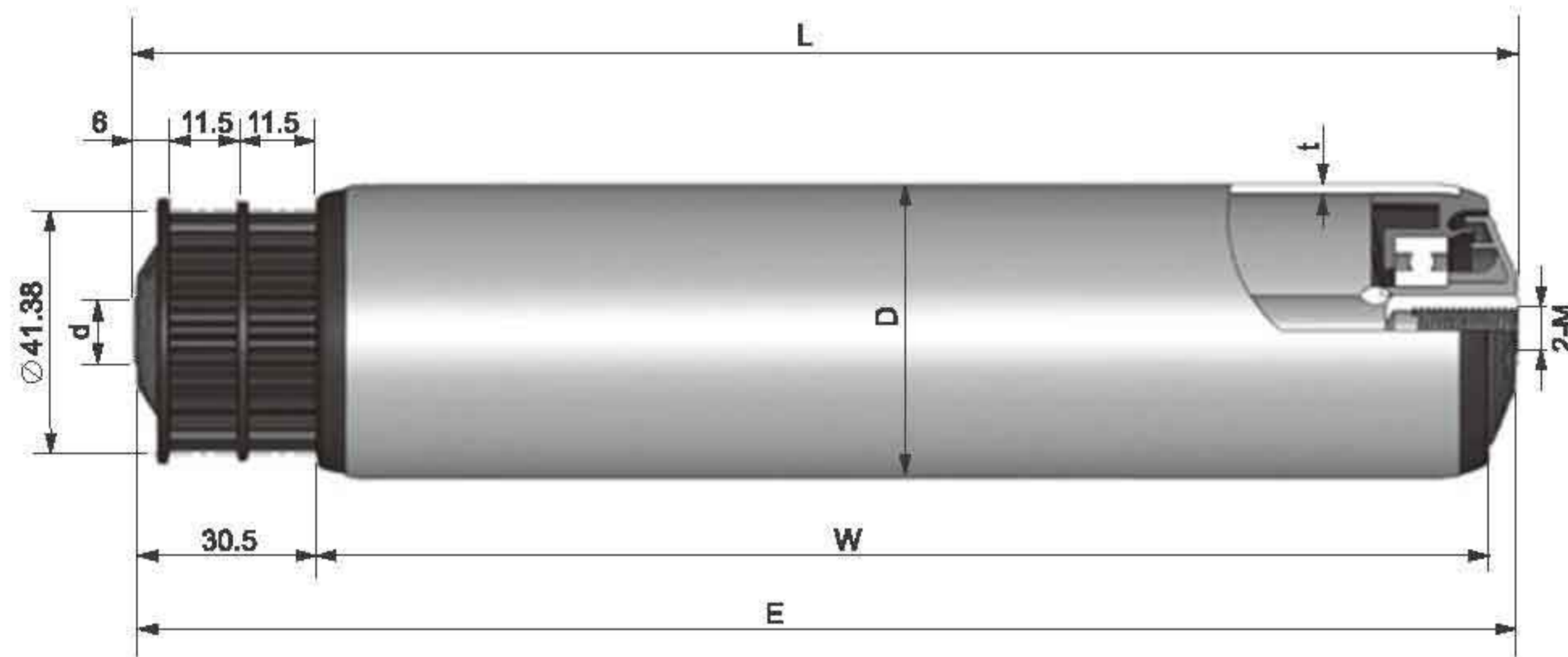
1, Female thread on the shaft Φ12(M8\*15mm) | Φ15(M10\*20mm).

2, 2mm | 3mm pvc soft sleeve is available for Φ50mm | Φ60mm roller.

### Product Features

<b>Tube Material</b>	Steel, Zinc Plated   Stainless Steel 304   Aluminium
<b>Shaft Material</b>	Steel, Zinc Plated   Stainless Steel 304
<b>Roller Bearing</b>	Bearing Housing: Plastic, Black
	End Cap: Plastic, Yellow
	Bearing Number: 6002   6003   6804
	<a href="#">Catalogue Page Hyperlink: Plastic Roller Bearing!</a>
	<a href="#">Catalogue Page Hyperlink: Plastic Grooved Pulley!</a>

## Model 2280 Timing Belt Pulley Roller



### Dimension Table

Tube Material	Tube Dia. x Thk.	Shaft Dia.	E&W	L&W	Timing Pulley
	D/mm	d/mm	mm	mm	
Steel, Zinc Plated	Φ50x1.5	Φ12   Φ15	E=W+35	L=W+36	26-T5
Stainless Steel 304	Φ50x1.5	Φ12   Φ15	E=W+35	L=W+36	26-T5

1, Female thread on the shaft Φ12(M8\*15mm) | Φ15(M10\*20mm).

2, 2mm | 3mm pvc soft sleeve is available for Φ50mm roller.

### Roller Central Pitch Table

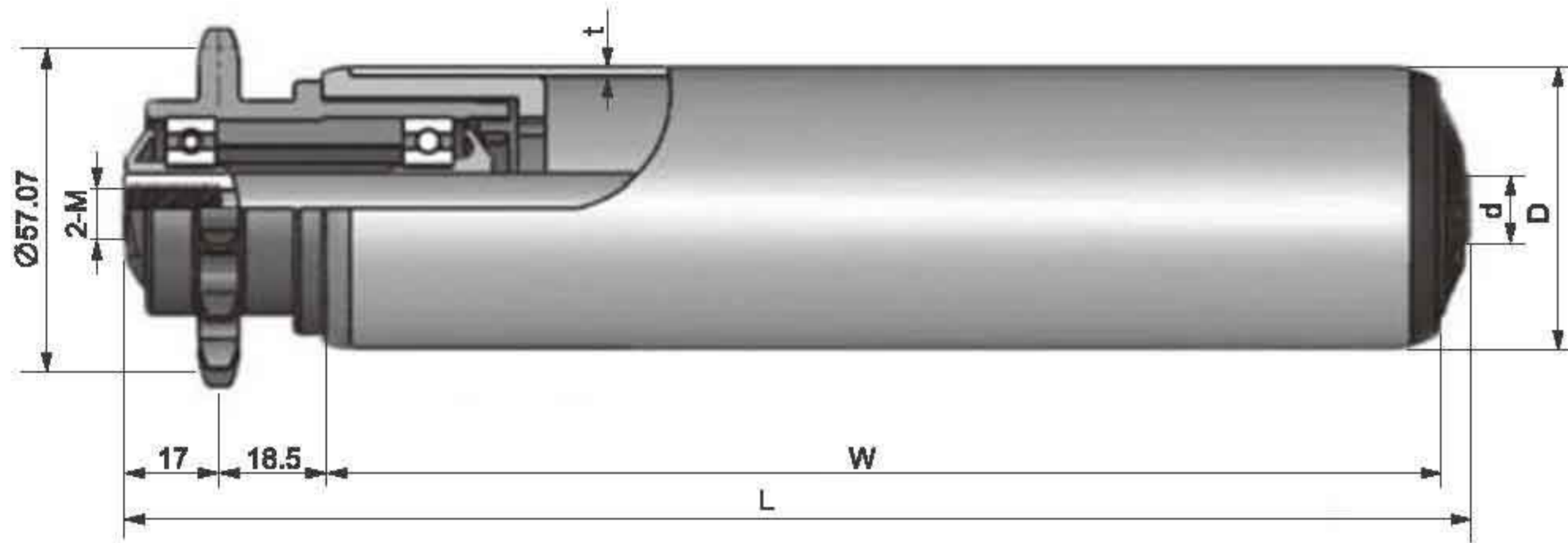
Roller Central Distance	Timing Belt Size	Timing Belt Teeth Quantity
60	10-5T-250	50
75	10-5T-280	56
85	10-5T-300	60
100	10-5T-330	66
105	10-5T-340	68
135	10-5T-400	80
145	10-5T-420	84
160	10-5T-450	90

### Product Features

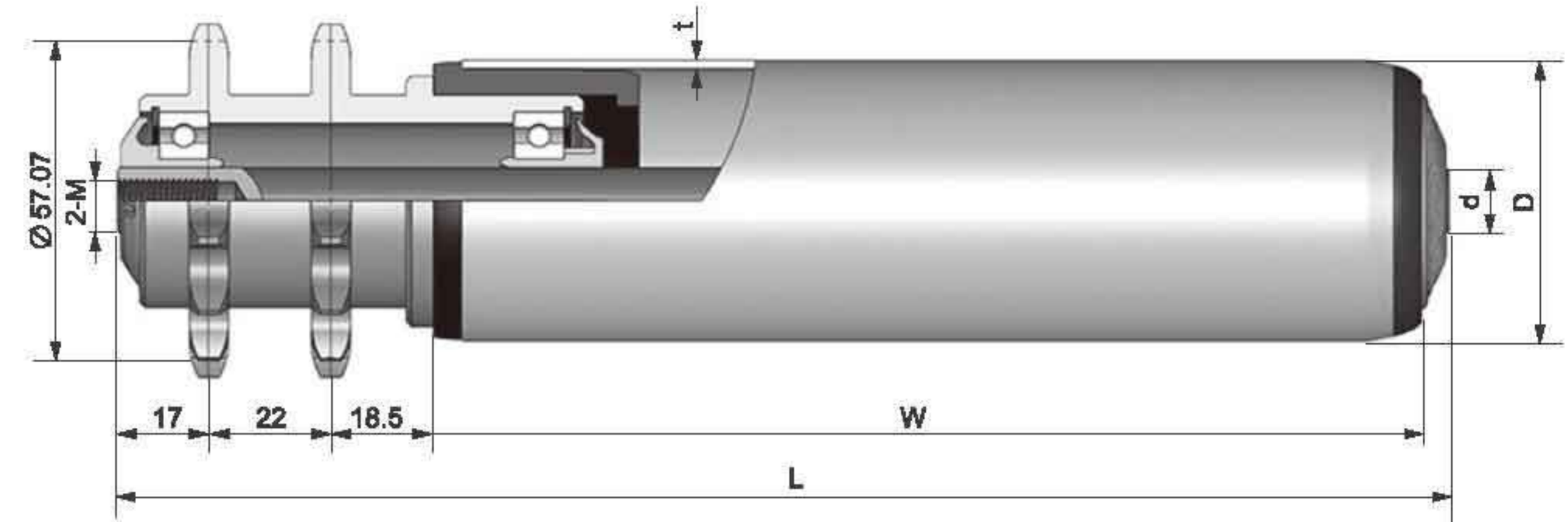
<b>Tube Material</b>	Steel, Zinc Plated   Stainless Steel 304   Aluminium
<b>Shaft Material</b>	Steel, Zinc Plated   Stainless Steel 304
<b>Roller Bearing</b>	Bearing Housing: Plastic, Black
	End Cap: Plastic, Yellow
	Bearing Number: 6002   6003   6804
	<a href="#">Catalogue Page Hyperlink: Plastic Roller Bearing!</a>
	<a href="#">Catalogue Page Hyperlink: Plastic Timing Pulley!</a>

# Accumulation Conveyor Roller Series

## Model 3211 Steel Single Sprocket Friction Accumulation Roller



## Model 3221 Steel Double Sprocket Friction Accumulation Roller



### Dimension Table

Tube Material	Tube Dia. x Thk.	Shaft Dia.	L&W	Sprocket
	D/mm	d/mm	mm	Size
Steel, Zinc Plated	Φ50x1.5	Φ12   Φ15	L=W+41	08B14T
	Φ60x2.0	Φ12   Φ15	L=W+41	08B14T
Stainless Steel 304	Φ50x1.5	Φ12   Φ15	L=W+41	08B14T
	Φ60x2.0	Φ12   Φ15	L=W+41	08B14T

Female thread on the shaft Φ12(M8\*15mm) | Φ15(M10\*20mm).

### Dimension Table

Tube Material	Tube Dia. x Thk.	Shaft Dia.	L&W	Sprocket
	D/mm	d/mm	mm	Size
Steel, Zinc Plated	Φ50x1.5	Φ12   Φ15	L=W+63	08B14T
	Φ60x2.0	Φ12   Φ15	L=W+63	08B14T
Stainless Steel 304	Φ50x1.5	Φ12   Φ15	L=W+63	08B14T
	Φ60x2.0	Φ12   Φ15	L=W+63	08B14T

Female thread on the shaft Φ12(M8\*15mm) | Φ15(M10\*20mm).

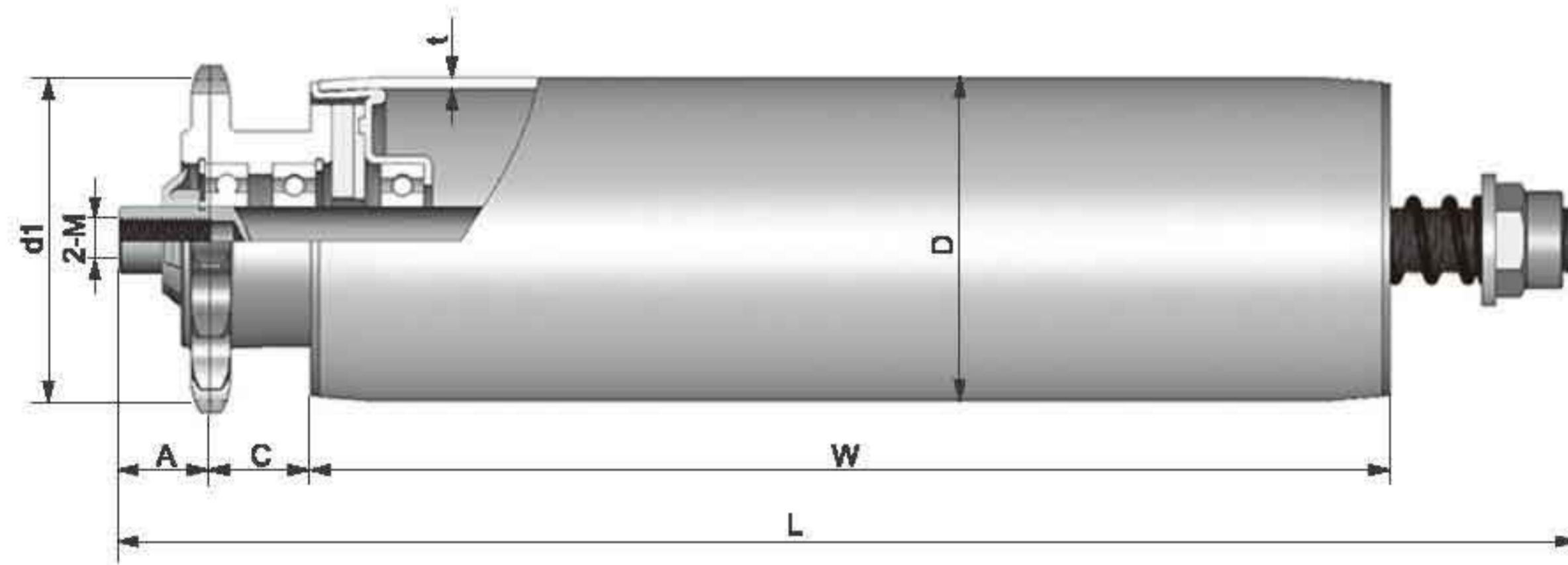


1200L	1200T	1200M	1800L	1800T	1800M	2411	2421	2311	2321	2322	2230	2240	2250	2260	2280	3211
3221	3816	3826	1500	1600	2521	2624	2650	2660	3110	3120	C1	C2	C3	C4	C5	

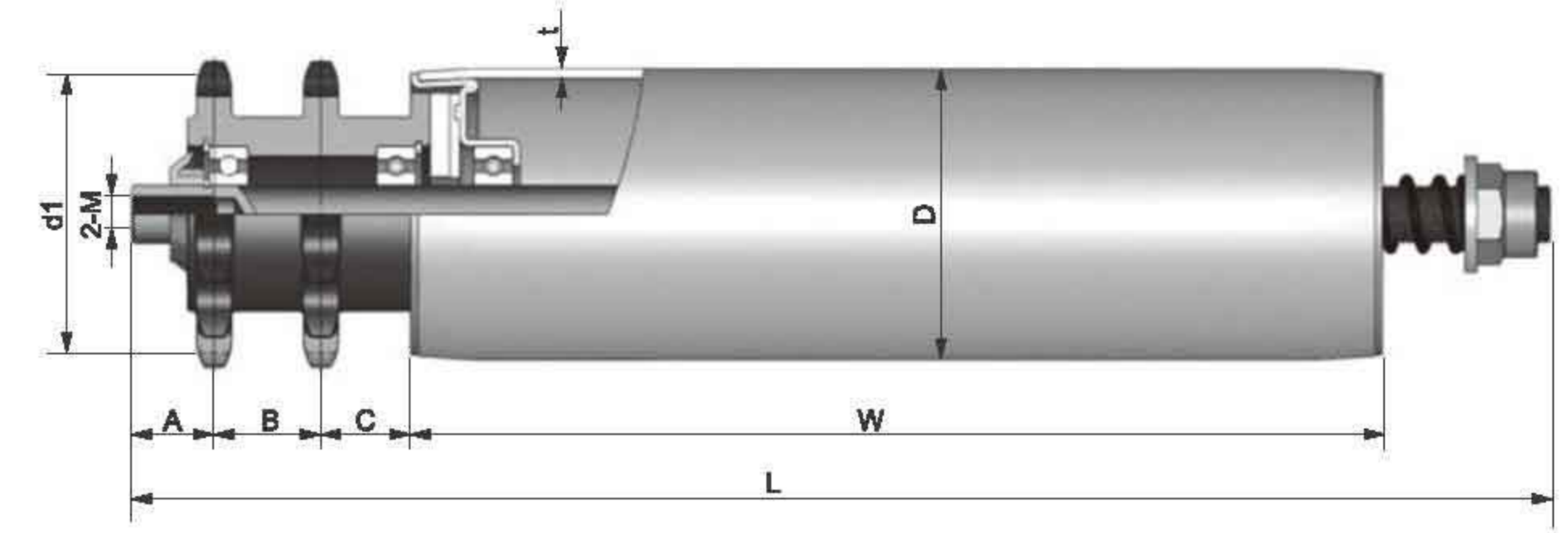
# Accumulation Conveyor Roller Series



## Model 3816 Steel Single Sprocket Adjustable Accumulation Roller



## Model 3826 Steel Double Sprocket Adjustable Accumulation Roller



### Dimension Table

Tube Material	Tube Dia. x Thk.	Shaft Dia.	L&W	Sprocket Size	A	C	d1
	D/mm	d/mm					
Steel, Zinc Plated	Φ50x1.5	Φ12	L=W+70	08B11T	17	18.5	Φ45.08
	Φ60x2.0	Φ12   Φ15	L=W+70	08B14T	17	18.5	Φ57.07
	Φ76x3.0	Φ20	L=W+78	10A13T	20	18.5	Φ66.33
Stainless Steel 304	Φ50x1.5	Φ12	L=W+70	08B11T	17	18.5	Φ45.08
	Φ60x2.0	Φ12   Φ15	L=W+70	08B14T	17	18.5	Φ57.07
	Φ76x3.0	Φ20	L=W+78	10A13T	20	18.5	Φ66.33

Female thread on the shaft Φ12(M8\*15mm) | Φ15(M10\*20) | Φ20(M12\*25mm).

### Dimension Table

Tube Material	Tube Dia. x Thk.	Shaft Dia.	L&W	Sprocket Size	A	B	C	d1
	D/mm	d/mm						
Steel, Zinc Plated	Φ50x1.5	Φ12	L=W+92	08B11T	17	22	18.5	Φ45.08
	Φ60x2.0	Φ12   Φ15	L=W+92	08B14T	17	22	18.5	Φ57.07
	Φ76x3.0	Φ20	L=W+103	10A13T	20	25	18.5	Φ66.33
Stainless Steel 304	Φ50x1.5	Φ12	L=W+92	08B11T	17	22	18.5	Φ45.08
	Φ60x2.0	Φ12   Φ15	L=W+92	08B14T	17	22	18.5	Φ57.07
	Φ76x3.0	Φ20	L=W+103	10A13T	20	25	18.5	Φ66.33

Female thread on the shaft Φ12(M8\*15mm) | Φ15(M10\*20mm) | Φ20(M12\*25mm).



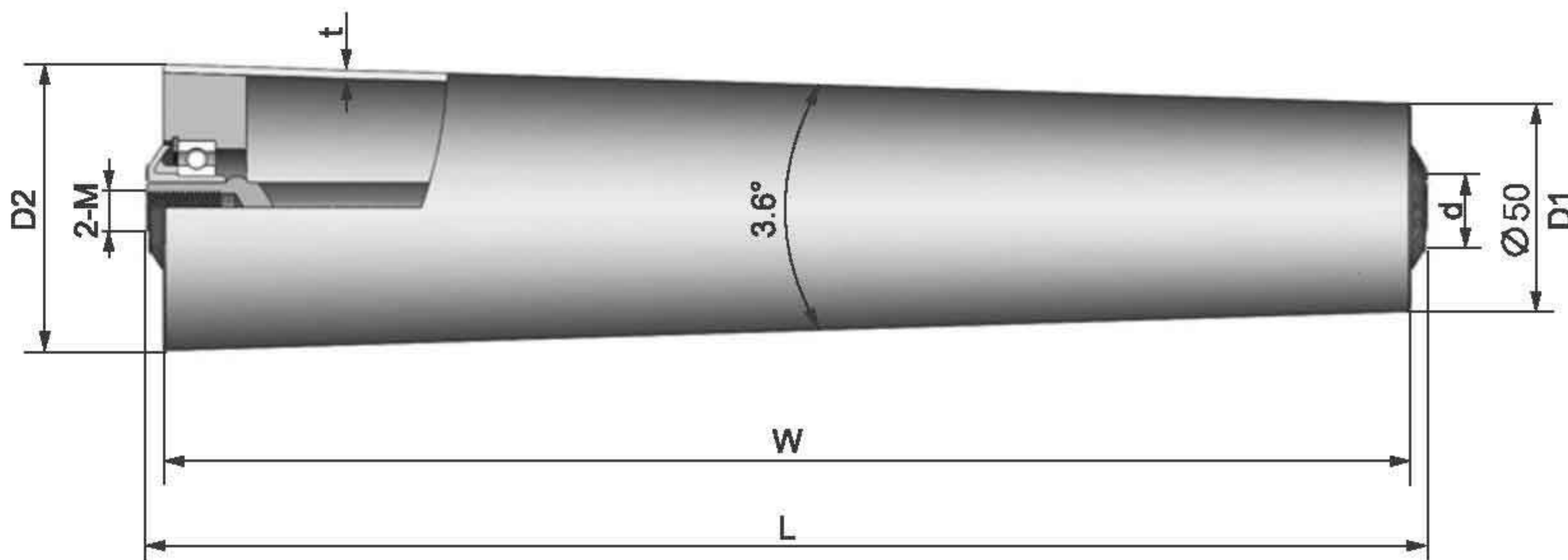
[24|Roller|Bearing|Components](#)

1200L	1200T	1200M	1800L	1800T	1800M	2411	2421	2311	2321	2322	2230	2240	2250	2260	2280	3211
3221	3816	3826	1500	1600	2521	2624	2650	2660	3110	3120	C1	C2	C3	C4	C5	



# Tapered Conveyor Roller Series

## Model 1500 Gravity Tapered Roller-Steel Body



Max Roller Head



Min Roller Head

### Dimension Table

Tube Material	Min Dia.	Max Dia.	Tube Length	Shaft Dia.	Shaft Length	Tube Thk.
	D1/mm	D2/mm	W/mm	d/mm	L/mm	t/mm
Steel, Zinc Plated & Stainless Steel 304	Ø50	Ø68.9	300	Ø12   Ø15	L=W+11	1.2   1.5
	Ø50	Ø75.1	400	Ø12   Ø15	L=W+11	1.2   1.5
	Ø50	Ø81.4	500	Ø12   Ø15	L=W+11	1.2   1.5
	Ø50	Ø87.7	600	Ø12   Ø15	L=W+11	1.2   1.5
	Ø50	Ø94.0	700	Ø12   Ø15	L=W+11	1.2   1.5
	Ø50	Ø100.3	800	Ø12   Ø15	L=W+11	1.2   1.5
	Ø50	Ø106.6	900	Ø12   Ø15	L=W+11	1.2   1.5
	Ø50	Ø112.9	1000	Ø12   Ø15	L=W+11	1.2   1.5

Female thread on the shaft  $\Phi 12(M8*15mm)$  |  $\Phi 15(M10*20mm)$ .

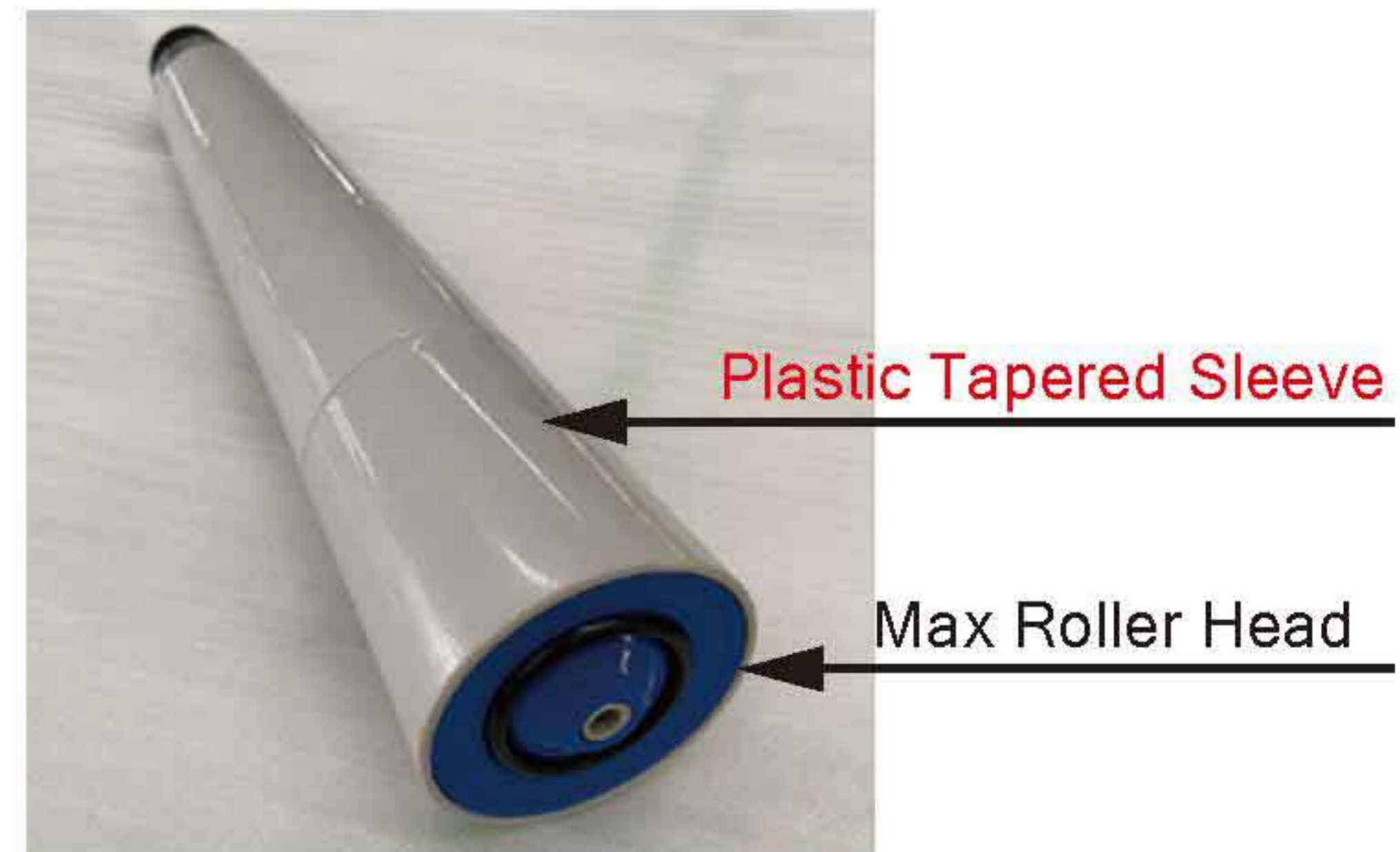
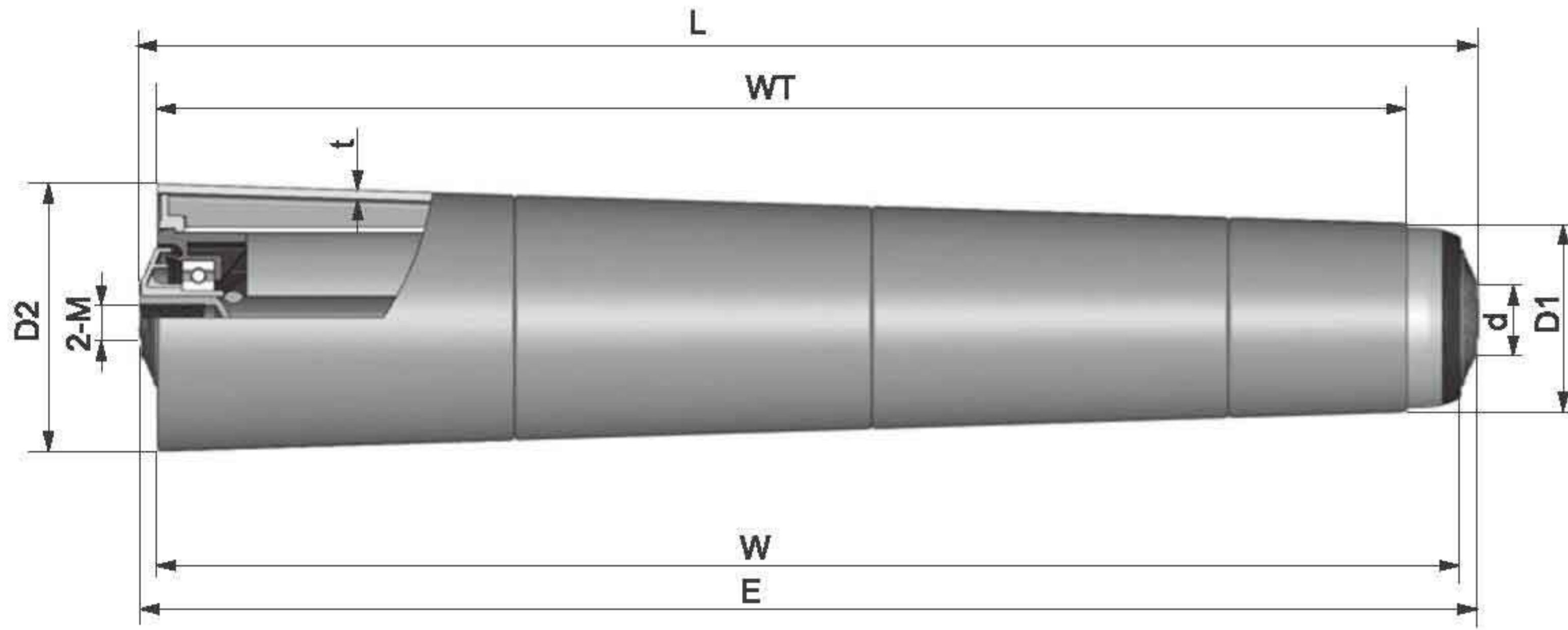
Any of max and min roller diameter can be customize!

### Product Features

<b>Tube Material</b>	Steel, Zinc Plated   Stainless Steel 304
<b>Shaft Material</b>	Steel, Zinc Plated   Stainless Steel 304
<b>Roller Bearing</b>	Steel, Zinc Plated   Stainless Steel 304

# Tapered Conveyor Roller Series

## Model 1600 Gravity Tapered Roller-Plastic Sleeve Body



### Dimension Table

Tube Material	Min Dia.	Max Dia.	Sleeve	Shaft Dia.	E&W	L&W
	D1/mm	D2/mm	WT/mm	d/mm	E/mm	L/mm
Steel, Zinc Plated	Φ52.9	Φ68.6	250	Φ12   Φ15	E=W+9	L=W+10
	Φ56.0	Φ74.9	300	Φ12   Φ15	E=W+9	L=W+10
	Φ52.9	Φ74.9	350	Φ12   Φ15	E=W+9	L=W+10
	Φ56.0	Φ81.1	400	Φ12   Φ15	E=W+9	L=W+10
	Φ52.9	Φ81.1	450	Φ12   Φ15	E=W+9	L=W+10
	Φ56.0	Φ87.4	500	Φ12   Φ15	E=W+9	L=W+10
Stainless Steel 304	Φ52.9	Φ87.4	550	Φ12   Φ15	E=W+9	L=W+10
	Φ56.0	Φ93.7	600	Φ12   Φ15	E=W+9	L=W+10
Plastic Tapered Sleeve	Φ52.9	Φ93.7	650	Φ12   Φ15	E=W+9	L=W+10
	Φ56.0	Φ100	700	Φ12   Φ15	E=W+9	L=W+10
	Φ52.9	Φ100	750	Φ12   Φ15	E=W+9	L=W+10
	Φ56.0	Φ106.3	800	Φ12   Φ15	E=W+9	L=W+10
	Φ52.9	Φ106.3	850	Φ12   Φ15	E=W+9	L=W+10

Inner steel tube Φ50x1.2 | 1.5mm.

Female thread on the shaft Φ12(M8\*15mm) | Φ15(M10\*20mm).

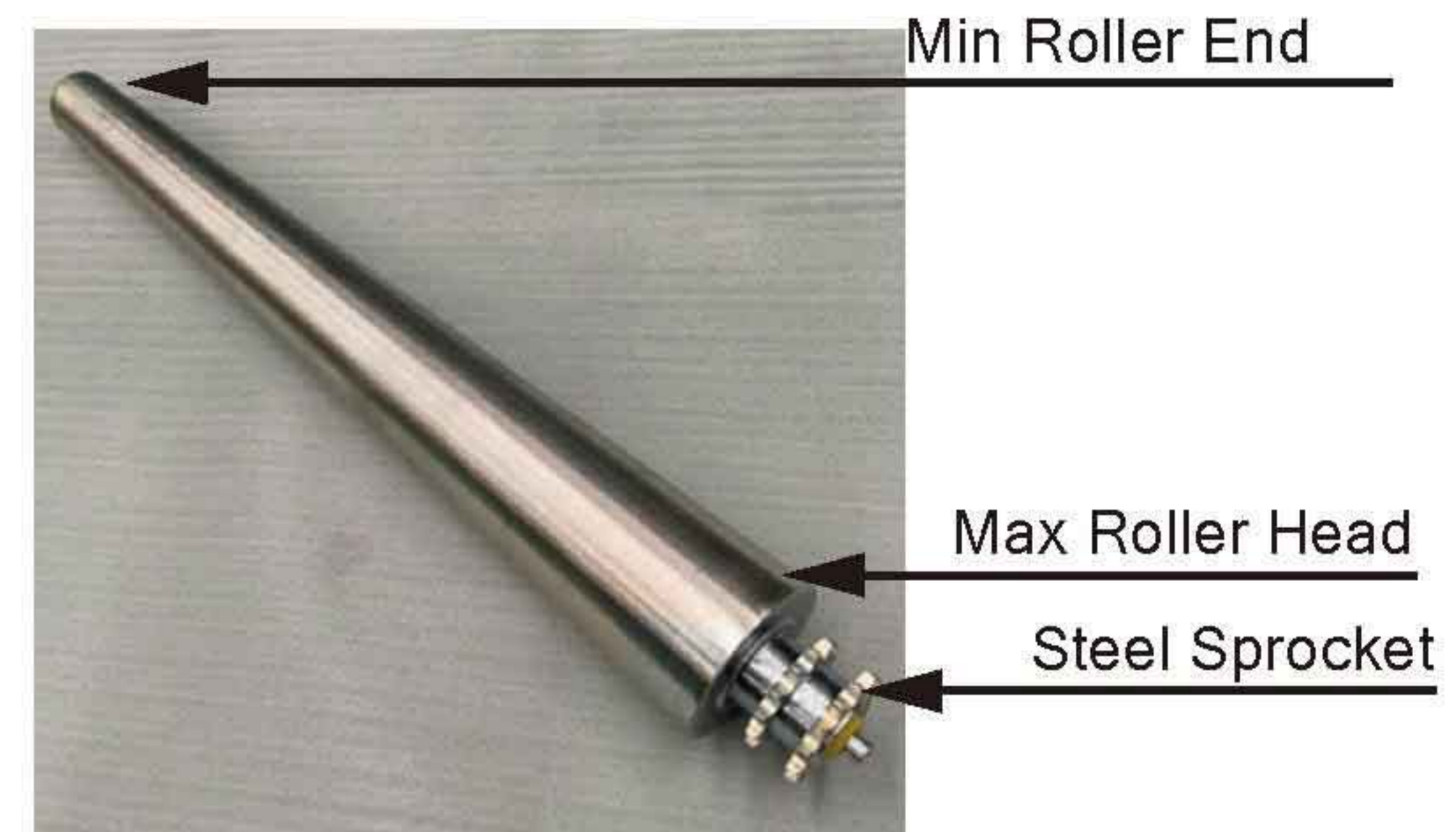
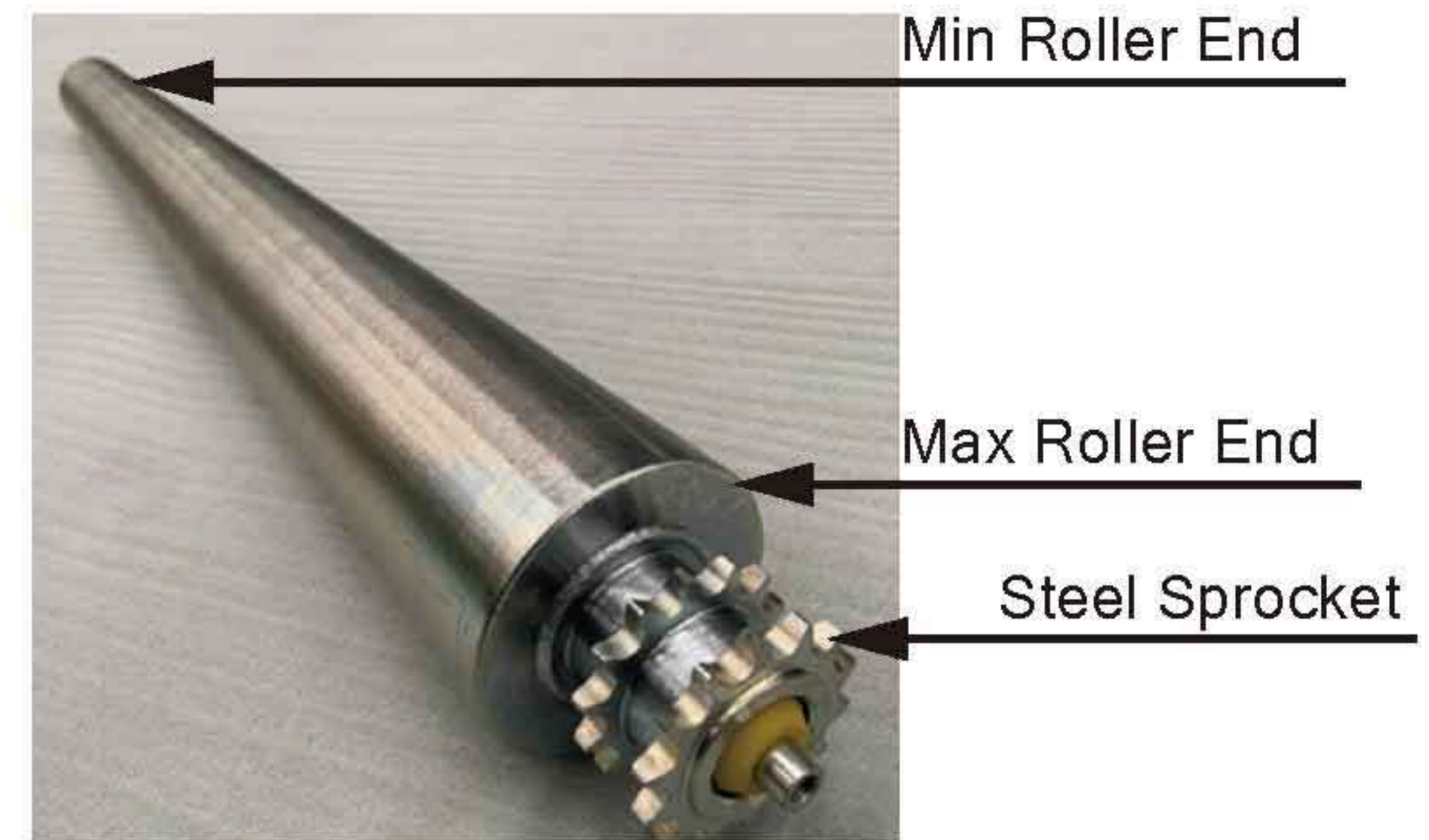
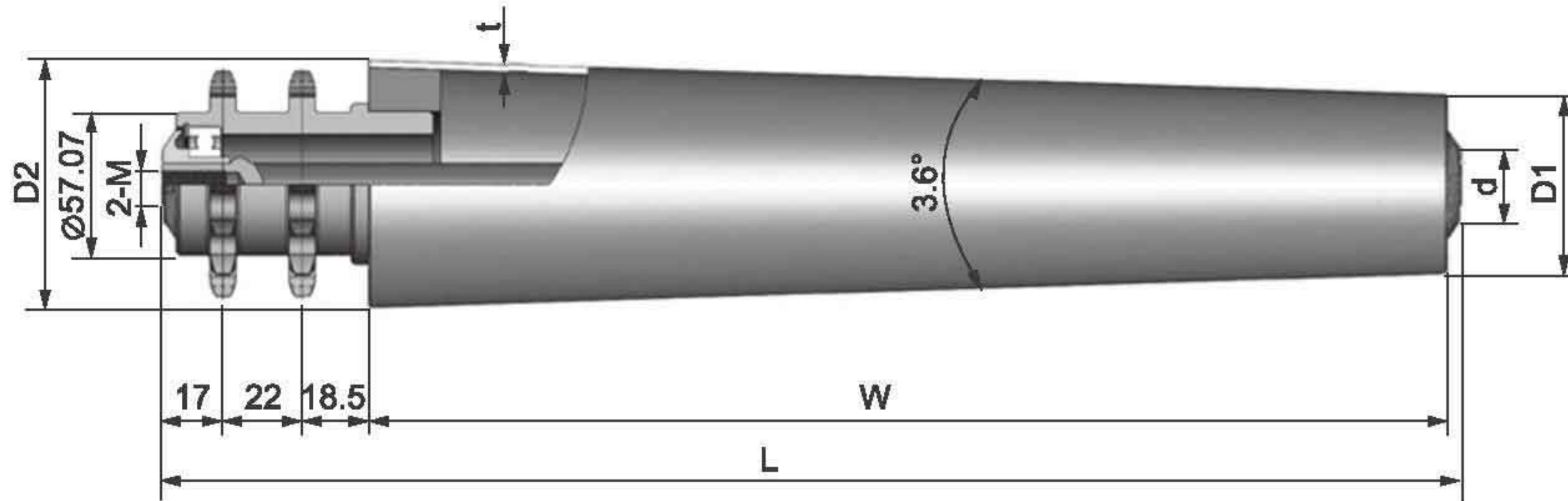
Plastic tapered sleeves are covered outside of the inner steel straight roller tube.

### Product Features

<b>Tube Material</b>	Steel, Zinc Plated   Stainless Steel 304   Aluminium
<b>Shaft Material</b>	Steel, Zinc Plated   Stainless Steel 304
<b>Roller Bearing</b>	Bearing Housing: Plastic, Black
	End Cap: Plastic, Yellow
	Bearing Number: 6002   6003   6804
<b>Tapered Sleeve</b>	<a href="#">Catalogue Page Hyperlink: Plastic Tapered Sleeve!</a>

# Tapered Conveyor Roller Series

## Model 2521 Double Sprocket Tapered Roller-Steel Body



### Dimension Table

Tube Material	Min Dia.	Max Dia.	Tube Length	Shaft Dia.	Shaft Length	Sprocket Size
	D1/mm	D2/mm	W/mm	d/mm	L/mm	
Steel, Zinc Plated & Stainless Steel 304	Φ50	Φ68.9	300	Φ12   Φ15	L=W+63	08B14T
	Φ50	Φ75.1	400	Φ12   Φ15	L=W+63	08B14T
	Φ50	Φ81.4	500	Φ12   Φ15	L=W+63	08B14T
	Φ50	Φ87.7	600	Φ12   Φ15	L=W+63	08B14T
	Φ50	Φ94.0	700	Φ12   Φ15	L=W+63	08B14T
	Φ50	Φ100.3	800	Φ12   Φ15	L=W+63	08B14T
	Φ50	Φ106.6	900	Φ12   Φ15	L=W+63	08B14T
	Φ50	Φ112.9	1000	Φ12   Φ15	L=W+63	08B14T

Inner steel tube Φ50x1.2 | 1.5mm.

Female thread on the shaft Φ12(M8\*15mm) | Φ15(M10\*20mm).

Any of max and min roller diameter can be customize!

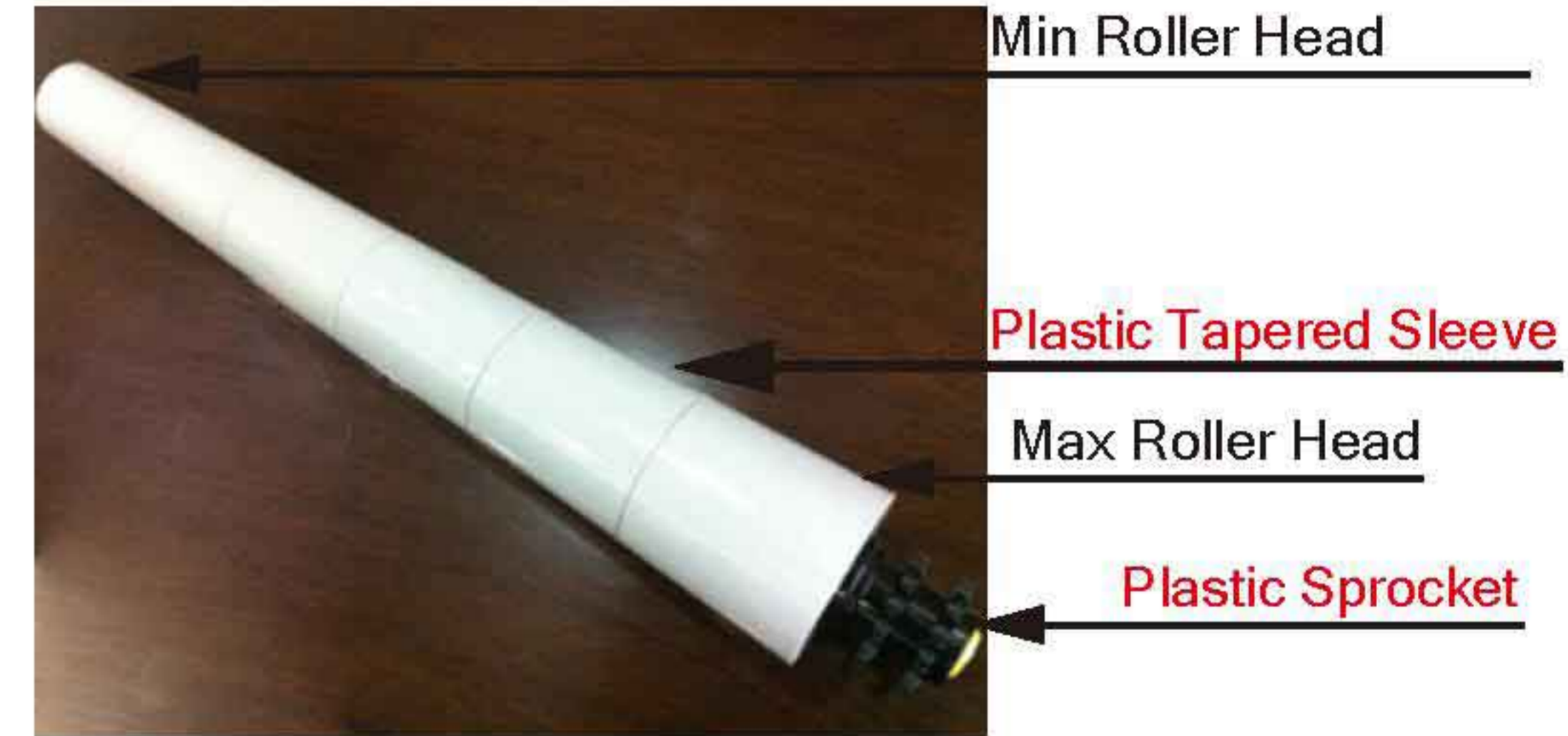
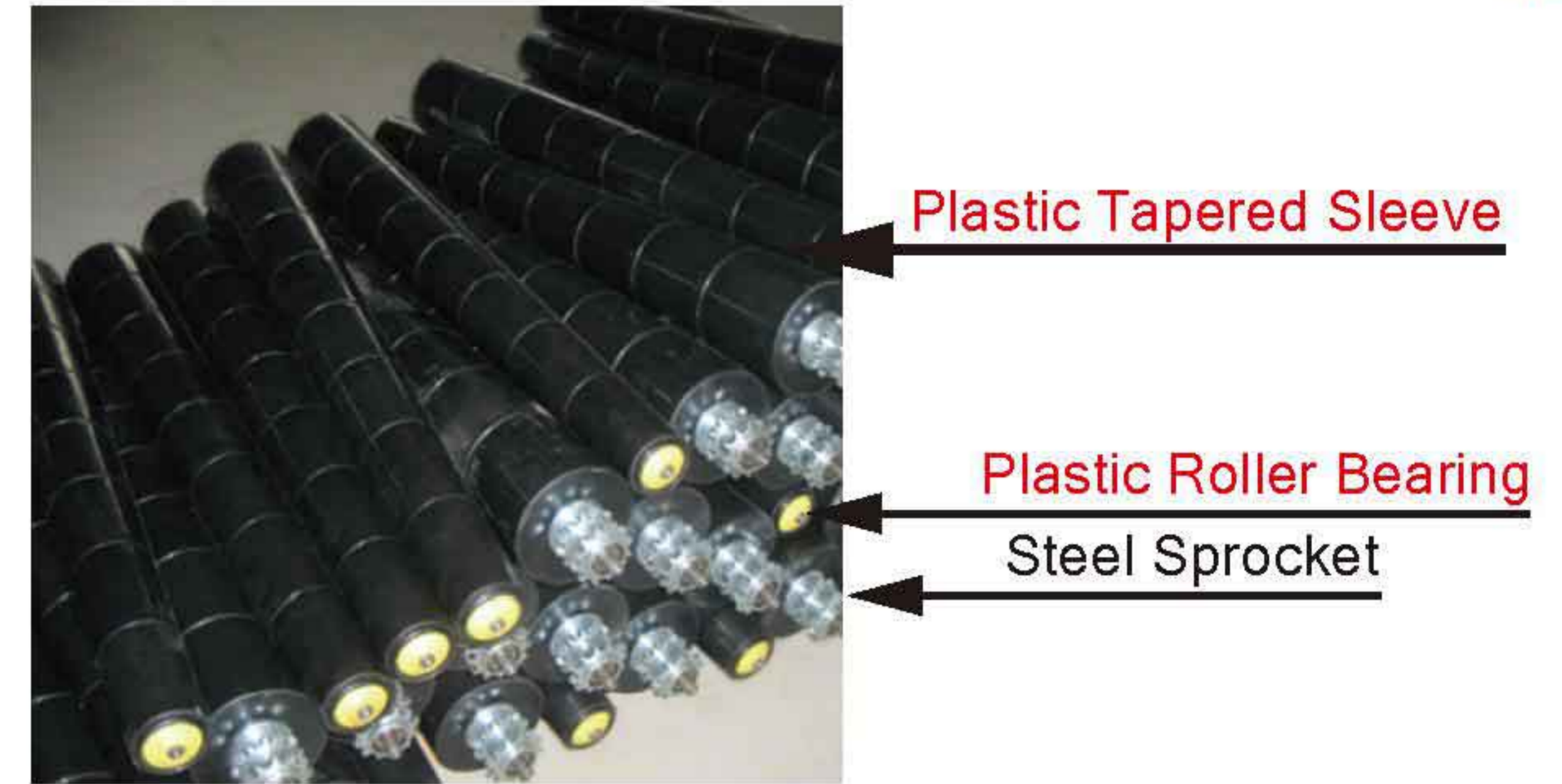
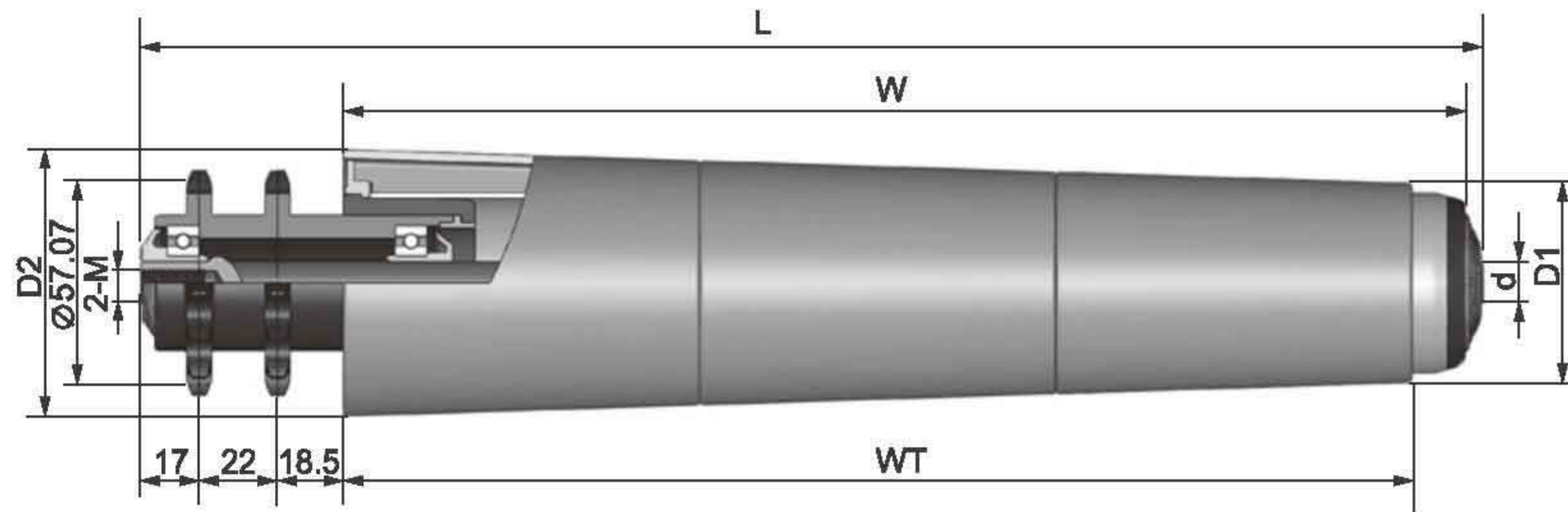
Different sprocket size can be customize!

### Product Features

<b>Tube Material</b>	Steel, Zinc Plated   Stainless Steel 304
<b>Shaft Material</b>	Steel, Zinc Plated   Stainless Steel 304
<b>Roller Bearing</b>	Steel, Zinc Plated   Stainless Steel 304
<b>Sprocket</b>	Steel, Zinc Plated   Stainless Steel 304

# Tapered Conveyor Roller Series

## Model 2624 Double Sprocket Tapered Roller-Plastic Sleeve Body



### Dimension Table

Tube Material	Min Dia.	Max Dia.	Sleeve	Shaft Dia.	L&W	Sprocket
	D1/mm	D2/mm	WT/mm	d/mm	E/mm	Size
Steel, Zinc Plated	Φ52.9	Φ68.6	250	Φ12   Φ15	L=W+63	08B14T
	Φ56.0	Φ74.9	300	Φ12   Φ15	L=W+63	08B14T
	Φ52.9	Φ74.9	350	Φ12   Φ15	L=W+63	08B14T
	Φ56.0	Φ81.1	400	Φ12   Φ15	L=W+63	08B14T
Stainless Steel 304	Φ52.9	Φ81.1	450	Φ12   Φ15	L=W+63	08B14T
	Φ56.0	Φ87.4	500	Φ12   Φ15	L=W+63	08B14T
&	Φ52.9	Φ87.4	550	Φ12   Φ15	L=W+63	08B14T
	Φ56.0	Φ93.7	600	Φ12   Φ15	L=W+63	08B14T
Plastic Tapered Sleeve	Φ52.9	Φ93.7	650	Φ12   Φ15	L=W+63	08B14T
	Φ56.0	Φ100	700	Φ12   Φ15	L=W+63	08B14T
	Φ52.9	Φ100	750	Φ12   Φ15	L=W+63	08B14T
	Φ56.0	Φ106.3	800	Φ12   Φ15	L=W+63	08B14T
	Φ52.9	Φ106.3	850	Φ12   Φ15	L=W+63	08B14T

Inner steel tube Φ50x1.2 | 1.5mm.

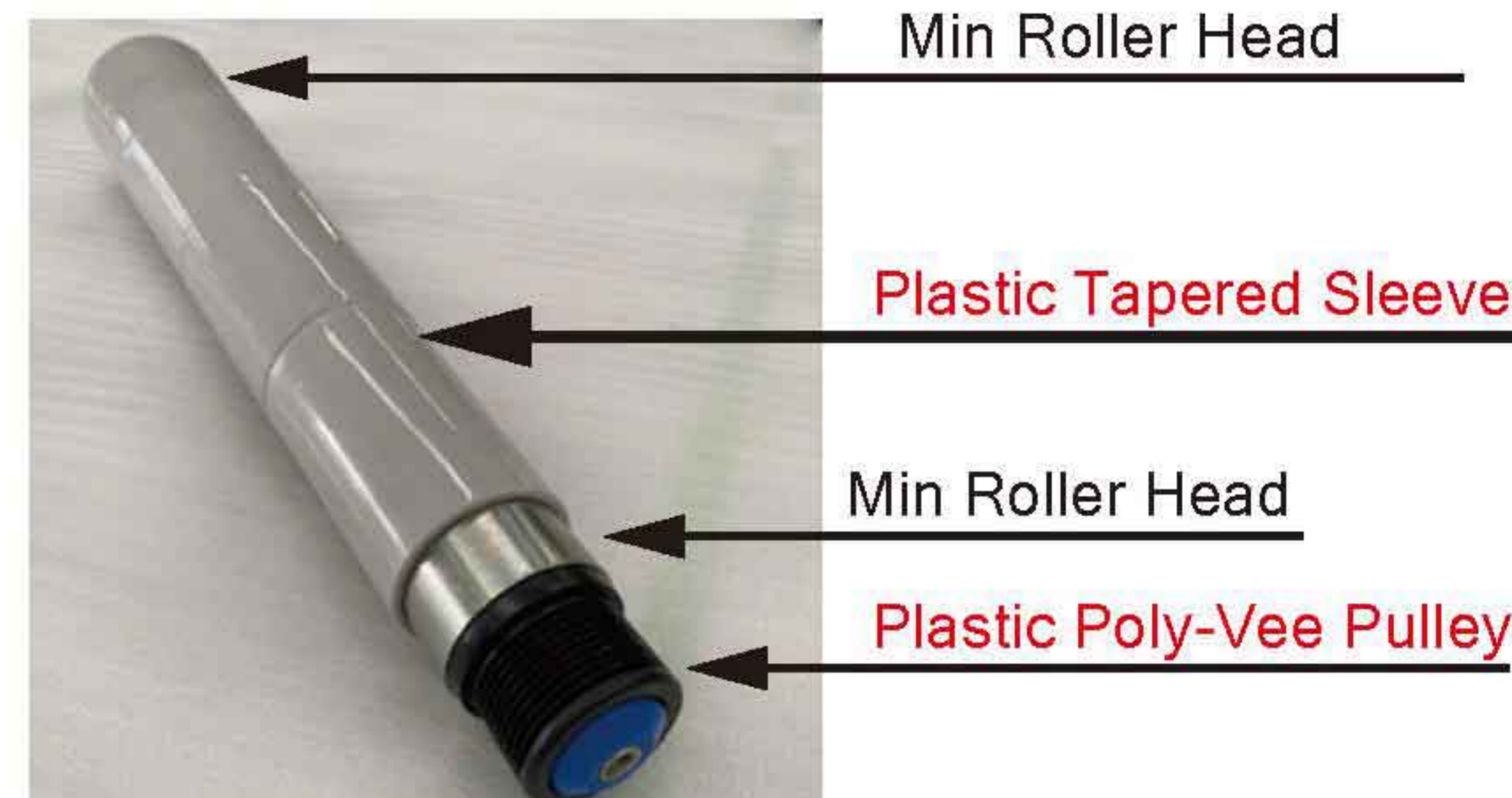
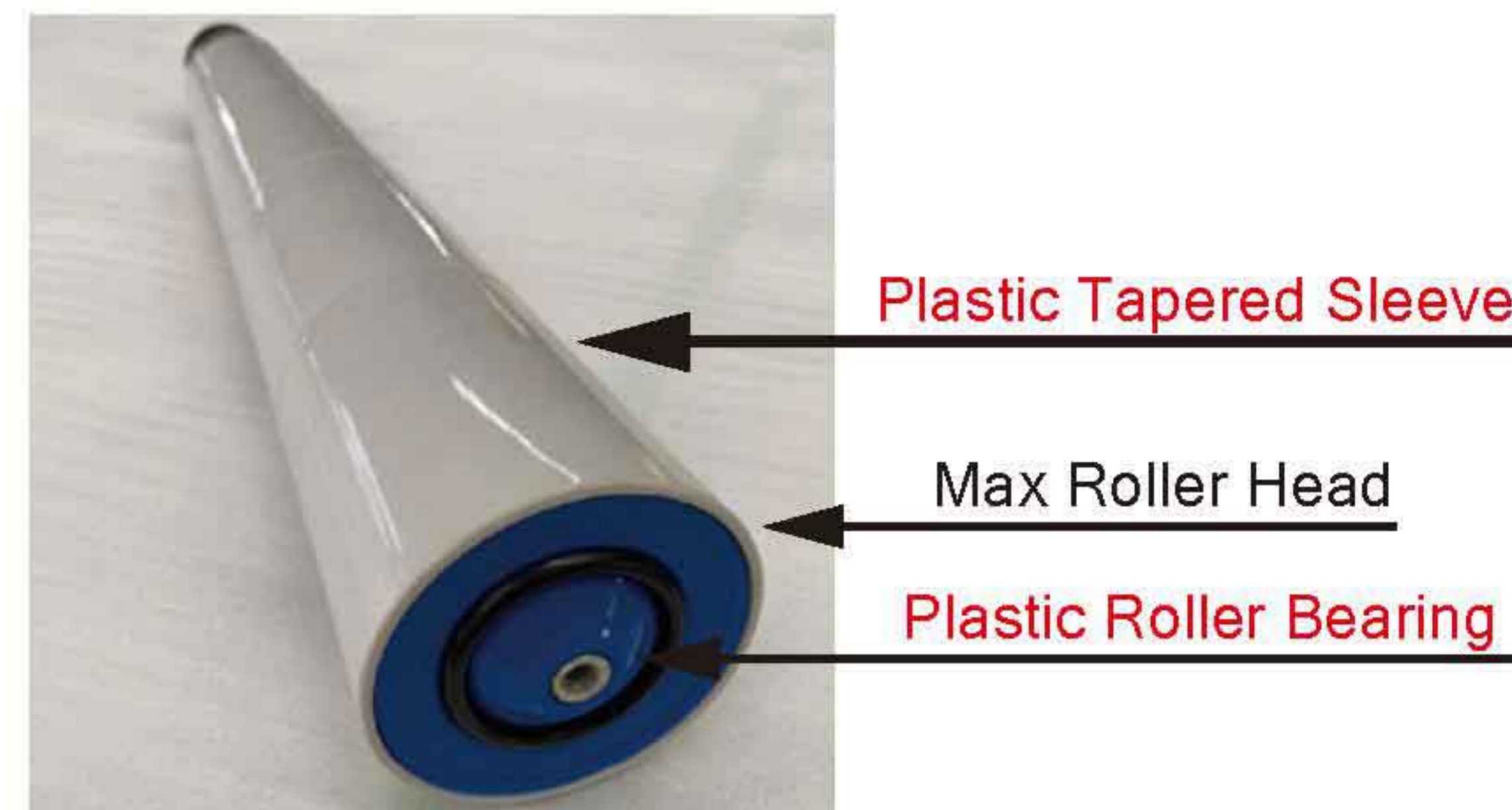
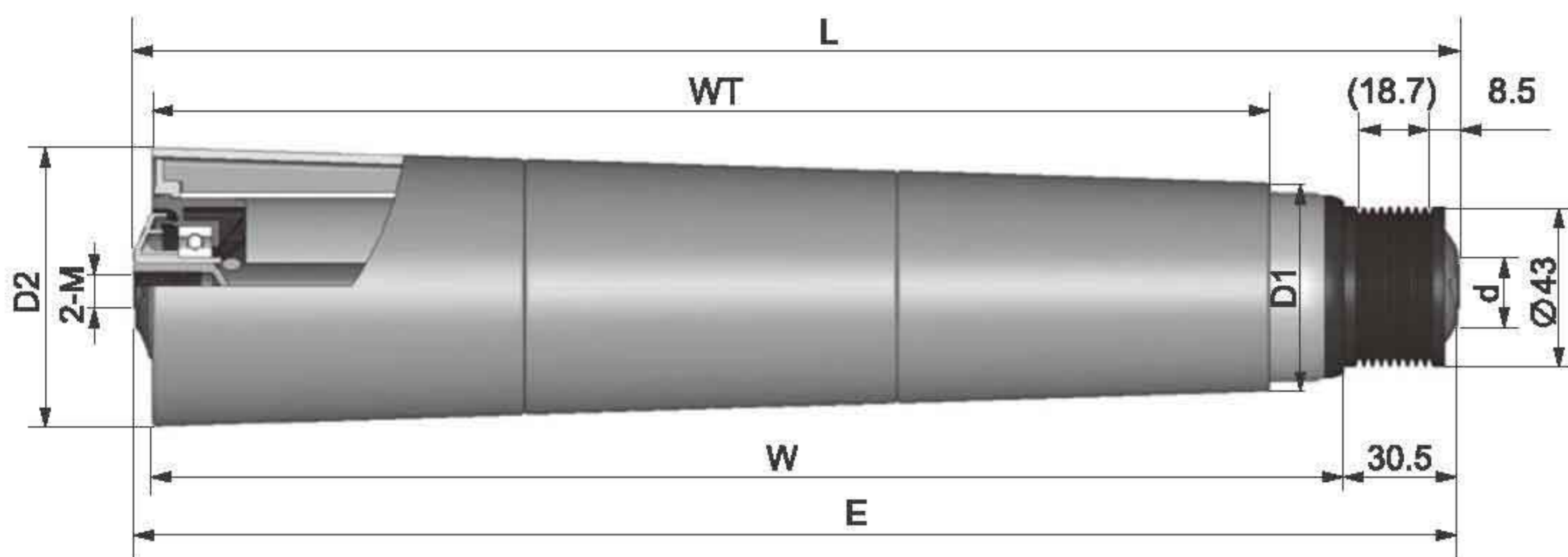
Female thread on the shaft Φ12(M8\*15) | Φ15(M10\*20).

### Product Features

<b>Tube Material</b>	Steel, Zinc Plated   Stainless Steel 304   Aluminium
<b>Shaft Material</b>	Steel, Zinc Plated   Stainless Steel 304
<b>Roller Bearing</b>	Bearing Housing: Plastic, Black
	End Cap: Plastic, Yellow
	Bearing Number: 6002   6003   6804
	<a href="#">Catalogue Page Hyperlink: Plastic Roller Bearing!</a>
<b>Tapered Sleeve</b>	<a href="#">Catalogue Page Hyperlink: Plastic Tapered Sleeve!</a>
<b>Plastic Sprocket</b>	<a href="#">Catalogue Page Hyperlink: Plastic Sprocket!</a>

# Tapered Conveyor Roller Series

## Model 2650 Poly-Vee Pulley Tapered Roller-Plastic Sleeve Body



### Dimension Table

Tube Material	Min Dia.	Max Dia.	Sleeve	Shaft Dia.	E&W	L&W
	D1/mm	D2/mm	WT/mm	d/mm	E/mm	L/mm
Steel, Zinc Plated	Φ52.9	Φ68.6	250	Φ12   Φ15	E=W+35	L=W+36
	Φ56.0	Φ74.9	300	Φ12   Φ15	E=W+35	L=W+36
	Φ52.9	Φ74.9	350	Φ12   Φ15	E=W+35	L=W+36
	Φ56.0	Φ81.1	400	Φ12   Φ15	E=W+35	L=W+36
Stainless Steel 304	Φ52.9	Φ81.1	450	Φ12   Φ15	E=W+35	L=W+36
	Φ56.0	Φ87.4	500	Φ12   Φ15	E=W+35	L=W+36
	Φ52.9	Φ87.4	550	Φ12   Φ15	E=W+35	L=W+36
Plastic Tapered Sleeve	Φ56.0	Φ93.7	600	Φ12   Φ15	E=W+35	L=W+36
	Φ52.9	Φ93.7	650	Φ12   Φ15	E=W+35	L=W+36
	Φ56.0	Φ100	700	Φ12   Φ15	E=W+35	L=W+36
	Φ52.9	Φ100	750	Φ12   Φ15	E=W+35	L=W+36
	Φ56.0	Φ106.3	800	Φ12   Φ15	E=W+35	L=W+36
	Φ52.9	Φ106.3	850	Φ12   Φ15	E=W+35	L=W+36

Poly-Vee pulley size is PJ type, 9 grooves.

Inner steel tube Φ50x1.2 | 1.5mm.

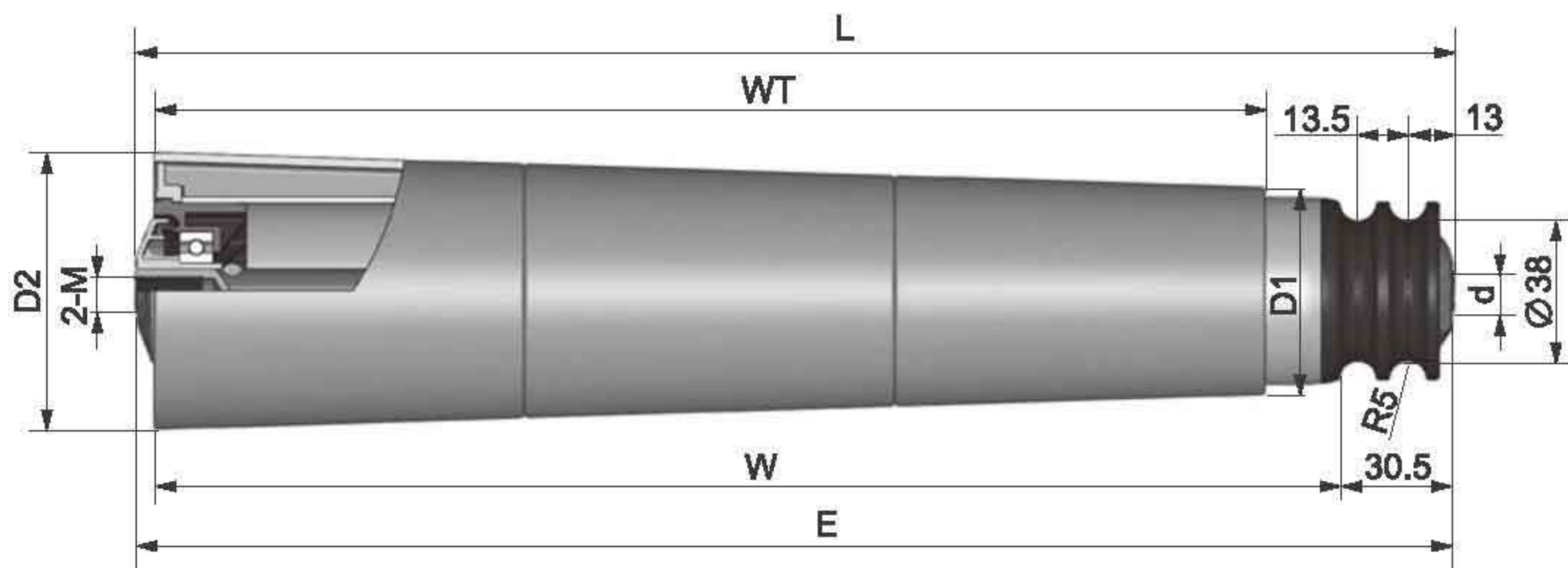
Female thread on the shaft Φ12(M8\*15) | Φ15(M10\*20).

### Product Features

<b>Tube Material</b>	Steel, Zinc Plated   Stainless Steel 304   Aluminium
<b>Shaft Material</b>	Steel, Zinc Plated   Stainless Steel 304
<b>Roller Bearing</b>	Bearing Housing: Plastic, Black
	End Cap: Plastic, Yellow
	Bearing Number: 6002   6003   6804
<b>Tapered Sleeve</b>	<a href="#">Catalogue Page Hyperlink: Plastic Tapered Sleeve!</a>
<b>Plastic Poly-Vee</b>	<a href="#">Catalogue Page Hyperlink: Plastic Poly-Vee Pulley!</a>

# Tapered Conveyor Roller Series

## Model 2660 Double Grooved Pulley Roller-Plastic Sleeve Body



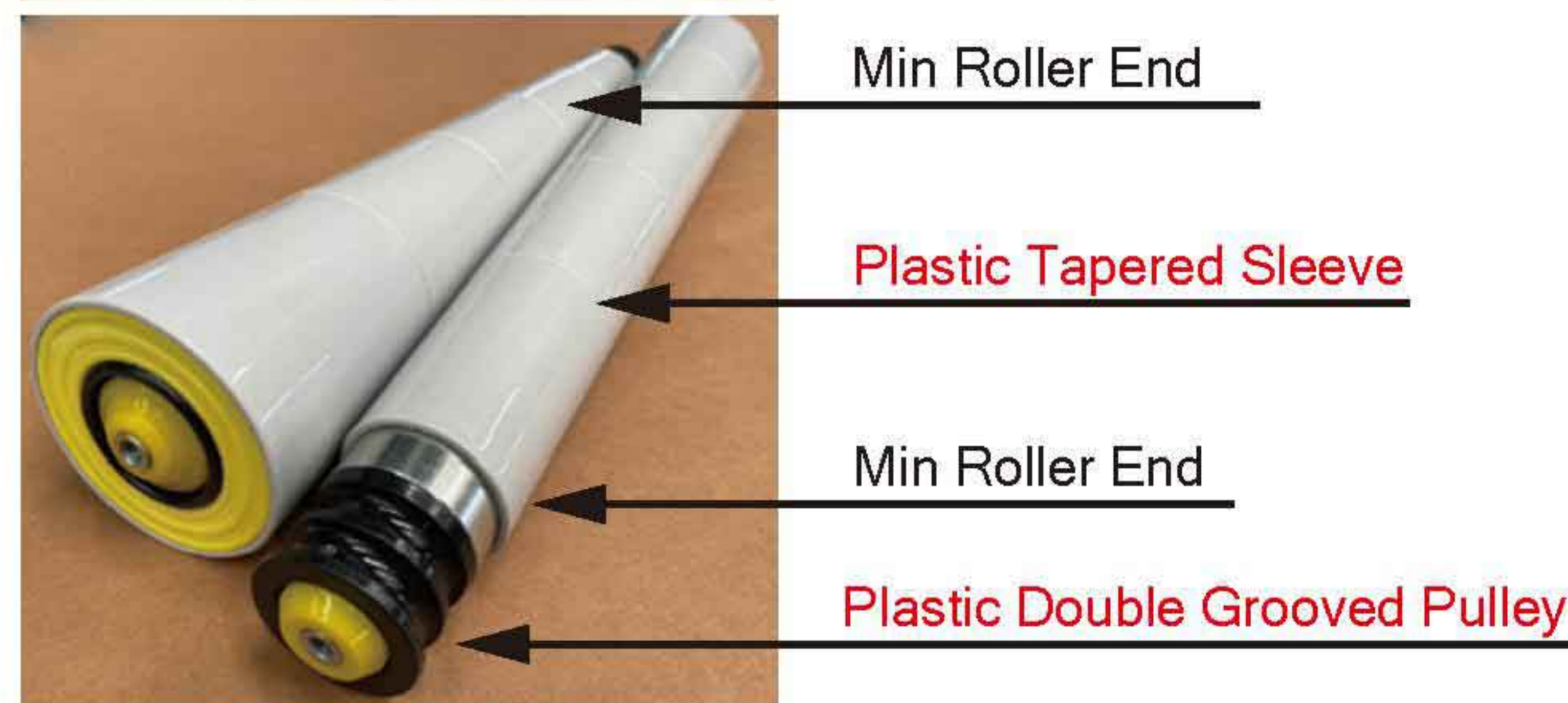
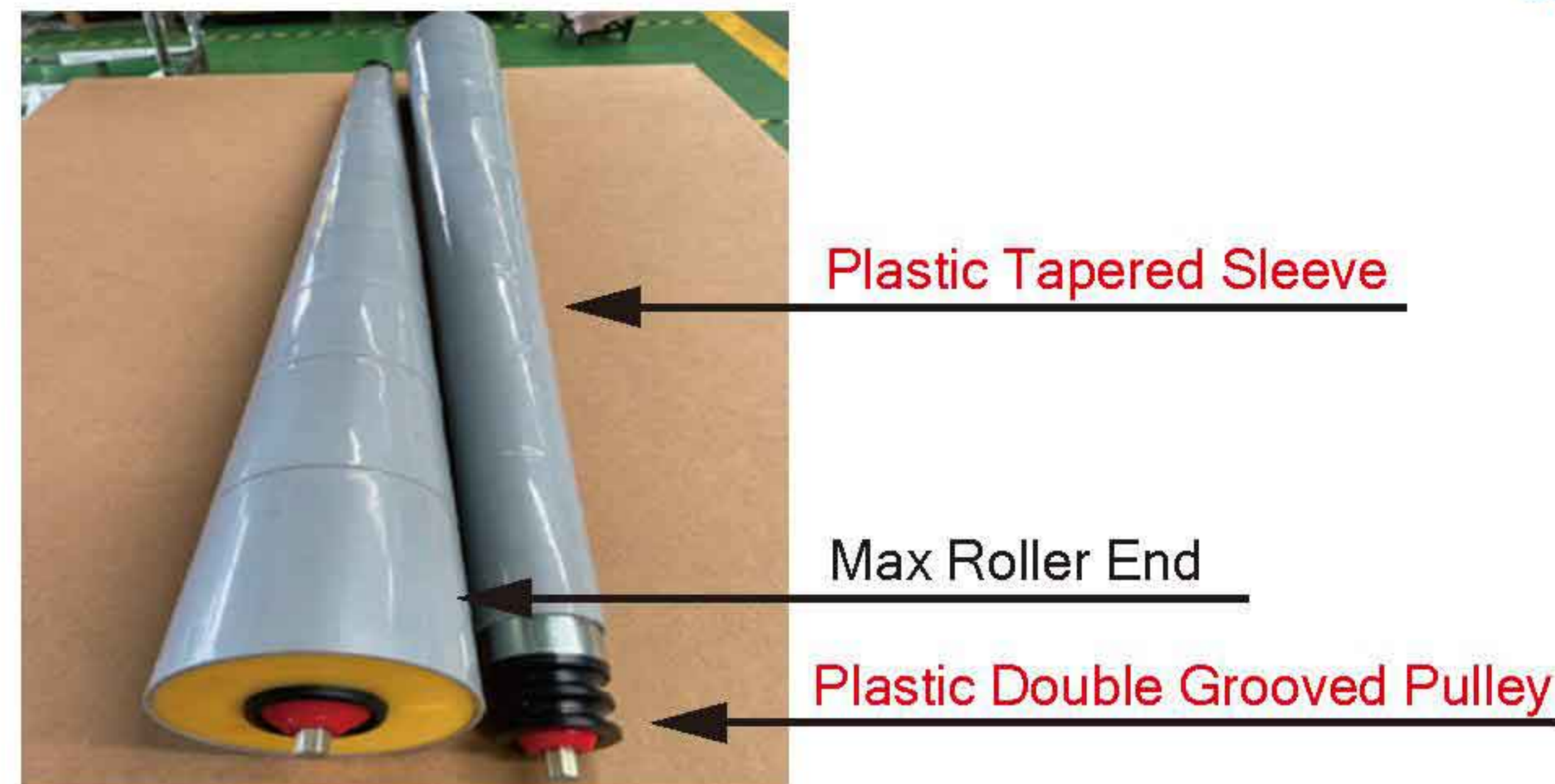
### Dimension Table

Tube Material	Min Dia.	Max Dia.	Sleeve	Shaft Dia.	E&W	L&W
	D1/mm	D2/mm	WT/mm	d/mm	E/mm	L/mm
Steel, Zinc Plated	Φ52.9	Φ68.6	250	Φ12   Φ15	E=W+35	L=W+36
	Φ56.0	Φ74.9	300	Φ12   Φ15	E=W+35	L=W+36
	Φ52.9	Φ74.9	350	Φ12   Φ15	E=W+35	L=W+36
	Φ56.0	Φ81.1	400	Φ12   Φ15	E=W+35	L=W+36
Stainless Steel 304	Φ52.9	Φ81.1	450	Φ12   Φ15	E=W+35	L=W+36
	Φ56.0	Φ87.4	500	Φ12   Φ15	E=W+35	L=W+36
	Φ52.9	Φ87.4	550	Φ12   Φ15	E=W+35	L=W+36
Plastic Tapered Sleeve	Φ56.0	Φ93.7	600	Φ12   Φ15	E=W+35	L=W+36
	Φ52.9	Φ93.7	650	Φ12   Φ15	E=W+35	L=W+36
	Φ56.0	Φ100	700	Φ12   Φ15	E=W+35	L=W+36
	Φ52.9	Φ100	750	Φ12   Φ15	E=W+35	L=W+36
	Φ56.0	Φ106.3	800	Φ12   Φ15	E=W+35	L=W+36
	Φ52.9	Φ106.3	850	Φ12   Φ15	E=W+35	L=W+36

Double grooved O belt pulley fits for Φ4mm | Φ5mm polyurethane O belt.

Inner steel tube Φ50x1.2 | 1.5mm.

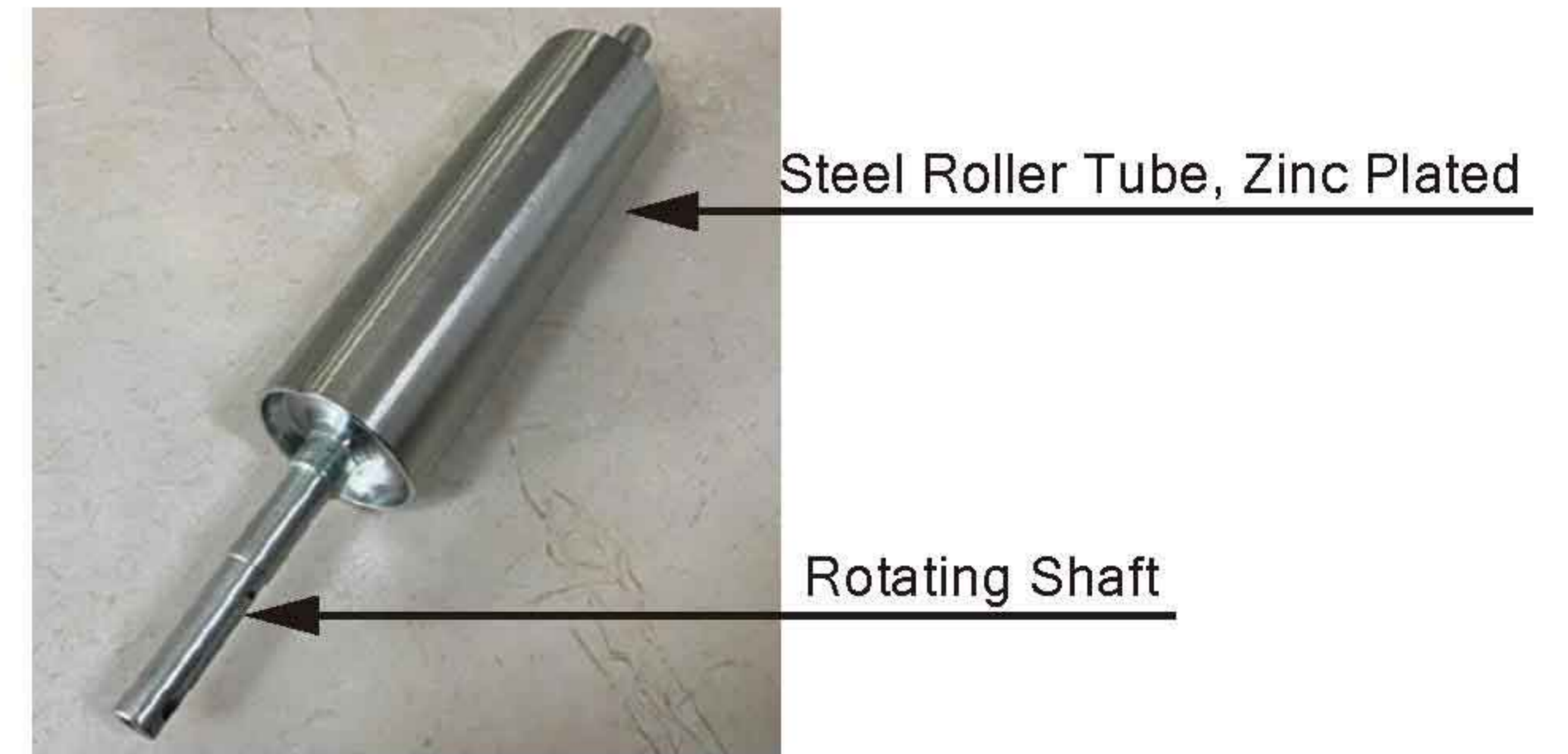
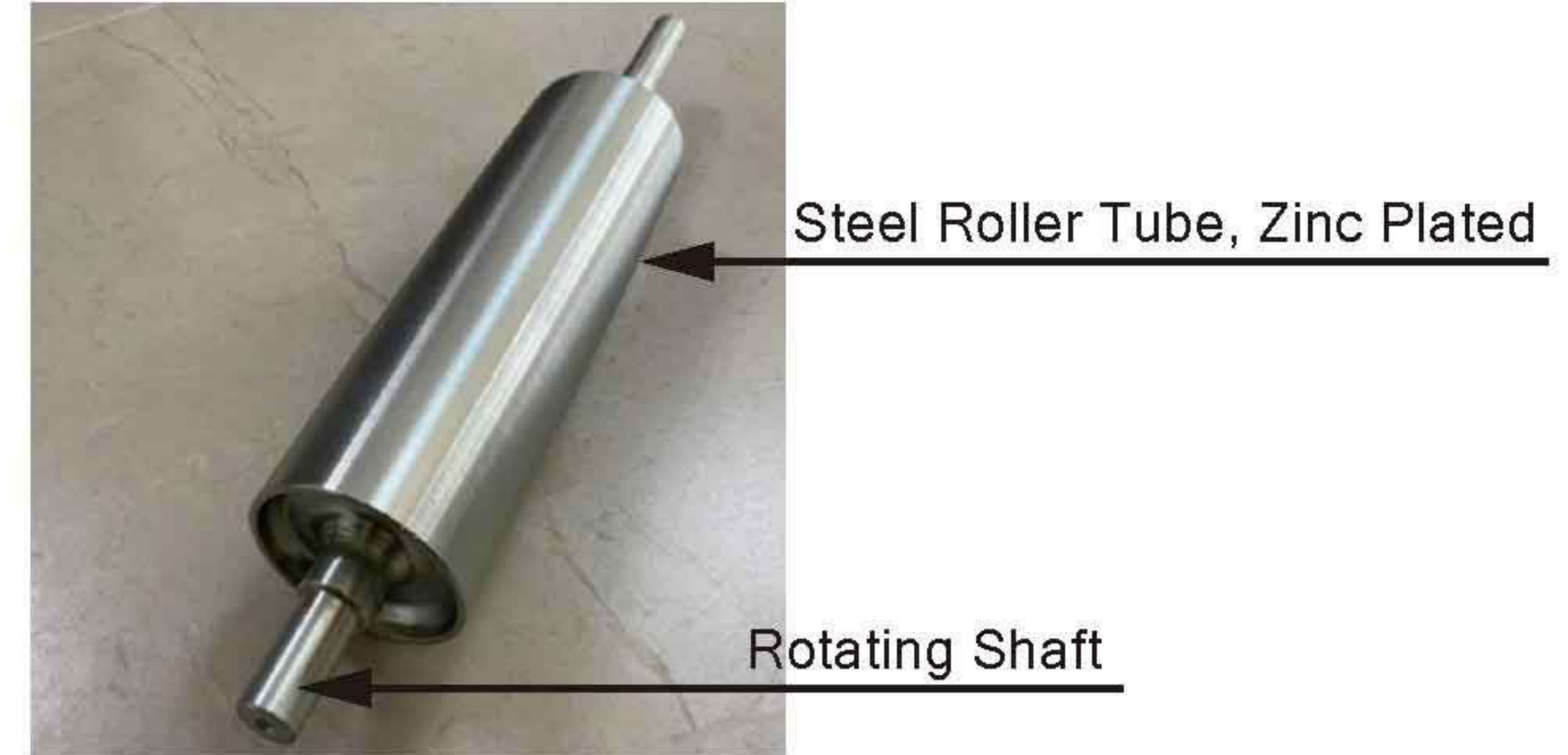
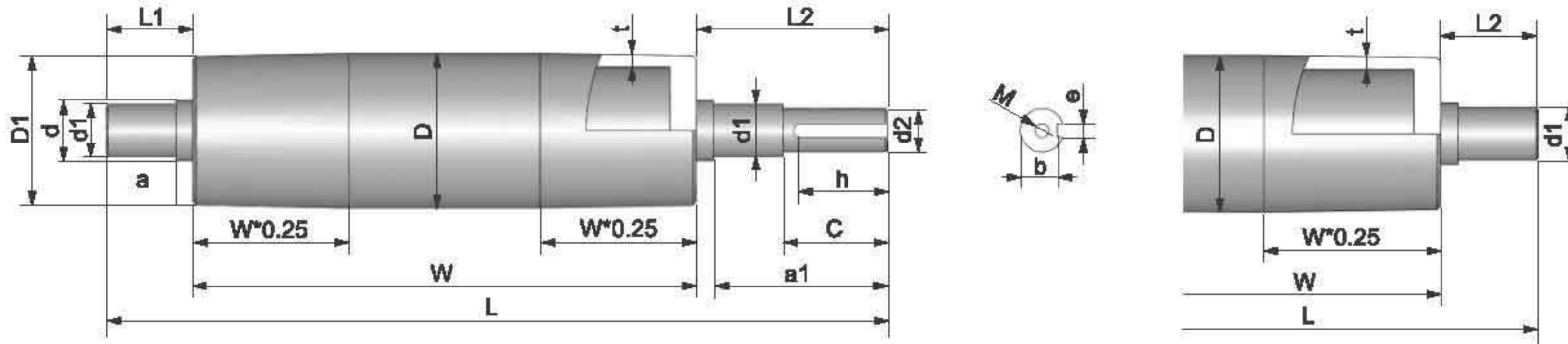
Female thread on the shaft Φ12(M8\*15mm) | Φ15(M10\*20mm).



### Product Features

<b>Tube Material</b>	Steel, Zinc Plated   Stainless Steel 304   Aluminium
<b>Shaft Material</b>	Steel, Zinc Plated   Stainless Steel 304
<b>Roller Bearing</b>	Bearing Housing: Plastic, Black
	End Cap: Plastic, Yellow
	Bearing Number: 6002   6003   6804
<b>Tapered Sleeve</b>	<a href="#">Catalogue Page Hyperlink: Plastic Tapered Sleeve!</a>
<b>Grooved Pulley</b>	<a href="#">Catalogue Page Hyperlink: Plastic Grooved Pulley!</a>

## Model 3110 Rotating Shaft Roller, External Mounted Bearing



### Dimension Table

Roller OD. D/mm	Roller Thk. t/mm	Shaft Dia. d1/mm	Drum D1/mm	Tube Length W/mm	Shaft Length L/mm
Φ59	4.5	Φ20   Φ25	Φ57.6	250-1400	≤1600
Φ75	4.5	Φ25   Φ30   Φ35	Φ73.6	250-1400	≤1600
Φ87	4.5	Φ25   Φ30   Φ35	Φ85.6	250-1400	≤1600
Φ100	6.0	Φ25   Φ30   Φ35	Φ98	250-1400	≤1600
Φ112	6.0	Φ30   Φ35   Φ40	Φ110	250-1400	≤1600
Φ119	6.0	Φ35   Φ40	Φ117	250-1400	≤1600
Φ130	6.5	Φ35   Φ40	Φ127	70-1800	≤2400
Φ156	6.5	Φ35   Φ40	Φ153	70-1800	≤2400
Φ176	6.5	Φ40   Φ45	Φ173	70-1800	≤2400
Φ200	6.5	Φ50   Φ55	Φ196	70-1800	≤2400

1, This series roller is committed to providing you with standardized, and customized various types of high-strength, durable-quality belt rollers. No matter it is a drive roller, head roller, tail roller, reversing roller, or tension roller, we can provide you with a one-stop solution.

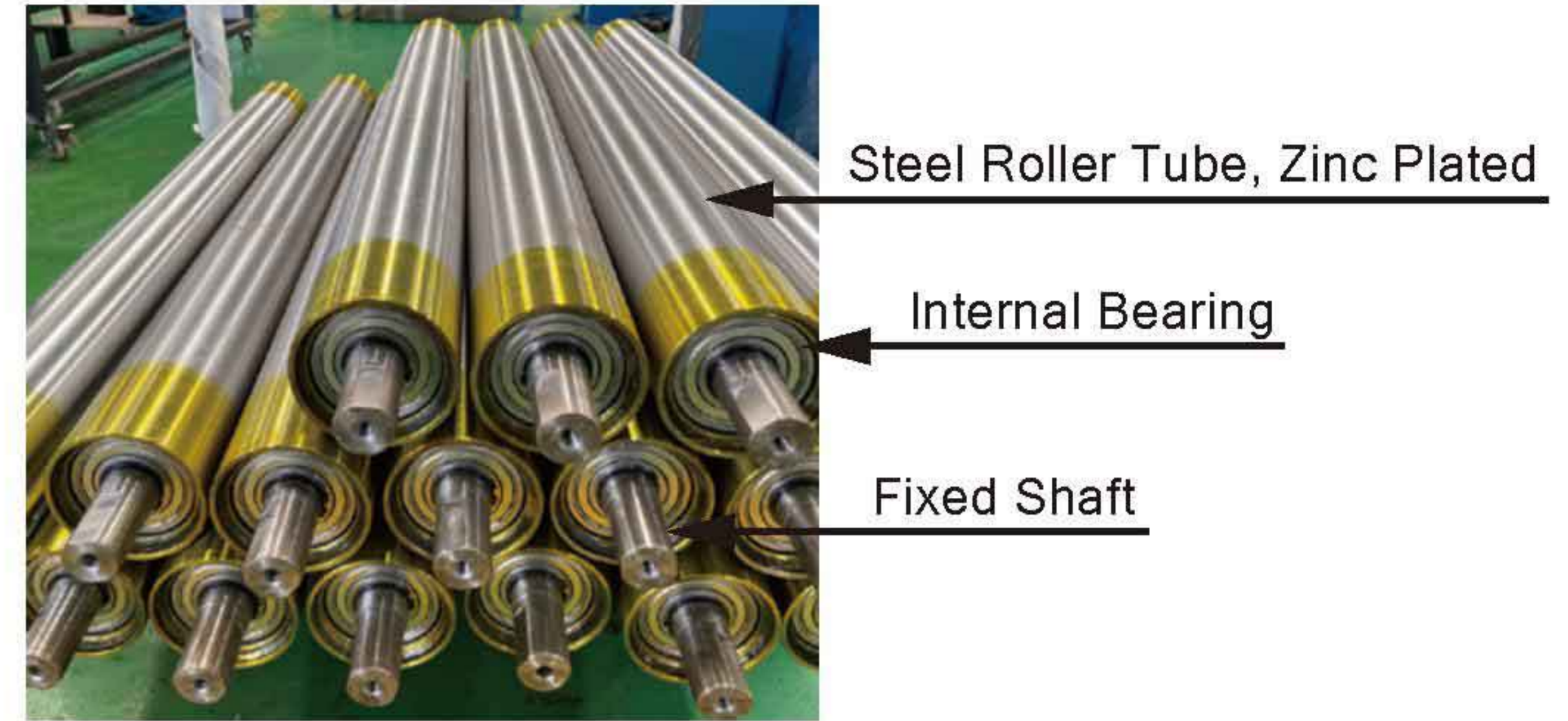
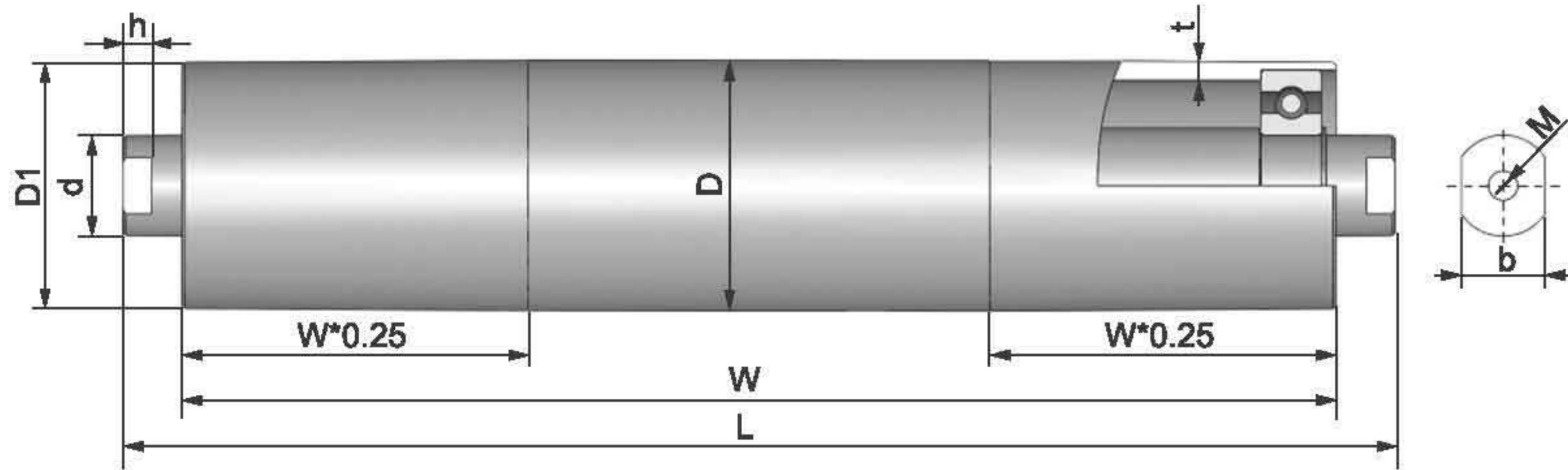
2, The dimensions in the above table are the regular sizes, more other dimensions can be customized according to customer drawings. The total length of the processable roller is <2500mm.

### Product Features

<b>Tube Material</b>	Steel, Zinc Plated   Stainless Steel 304
<b>Shaft Material</b>	Steel, Zinc Plated   Stainless Steel 304

3, The roller tube surface treatment can be made of steel galvanized, hard chrome-plated, stainless steel 304. To increase the friction, the surface of the roller can be covered with coating such like black natural rubber (black), nitrile rubber (black), polyurethane (black or yellow), knurling.

## Model 3120 Fixed Shaft Roller, Internal Mounted Bearing



### Dimension Table

Roller OD.	Roller Thk.	Shaft Dia.	Bearing	Drum	Tube Length
D/mm	t/mm	d/mm	Size	D1/mm	L/mm
Φ51	3.0	Φ20	6204	/	70-1300
Φ59	4.5	Φ25	6205	Φ57.6	70-1800
Φ75	4.5	Φ25	6005	Φ73.6	70-1800
Φ75	4.5	Φ30	6008	Φ73.6	70-1800
Φ79	4.5	Φ25	6005	Φ77.6	70-1800
Φ79	4.5	Φ30	6306	Φ77.6	70-1800
Φ87	4.5	Φ25	6205	Φ85.6	70-1800
Φ87	4.5	Φ35	6307	Φ85.6	70-1800
Φ100	6.0	Φ30	6306	Φ98	70-1800
Φ112	6.0	Φ30	6306	Φ110	70-1800
Φ112	6.0	Φ35	6307	Φ110	70-1800

### Product Features

<b>Tube Material</b>	Steel, Zinc Plated   Stainless Steel 304
<b>Shaft Material</b>	Steel, Zinc Plated   Stainless Steel 304

1, The dimensions in the above table are the regular sizes, more other dimensions can be customized according to customer drawings. The total length of the processable roller is <2500mm.

2, The roller tube surface threatment can be made of steel galvanized, hard chrome-plated, stainless steel 304. To increase the friction, the surface of the roller can be covered with coating such like black natural rubber (black), nitrile rubber (black), polyurethane (black or yellow), knurling.

[32|Roller|Bearing|Components](#)

1200L	1200T	1200M	1800L	1800T	1800M	2411	2421	2311	2321	2322	2230	2240	2250	2260	2280	3211
3221	3816	3826	1500	1600	2521	2624	2650	2660	3110	3120	C1	C2	C3	C4	C5	



# Customized Conveyor Roller Series



## Polyurethane Coated Roller



Model 1800 Roller + Yellow Polyurethane Coating



Model 1800 Roller + Black Polyurethane Coating

## PVC Soft Sleeve Coated Roller



Model 2250 Roller + Gray Soft PVC Coating



Model 2240 Roller + Gray Soft PVC Coating



Black Polyurethane Coating Roller



Model 2321 Roller + Black Polyurethane Coating



Model 2250 Roller + Gray Soft PVC Coating



Model 1800 Roller + Gray Soft PVC Coating

[33|Roller|Bearing|Components](#)

1200L	1200T	1200M	1800L	1800T	1800M	2411	2421	2311	2321	2322	2230	2240	2250	2260	2280	3211
3221	3816	3826	1500	1600	2521	2624	2650	2660	3110	3120	C1	C2	C3	C4	C5	

# Customized Conveyor Roller Series

## Black Rubber Coated Roller



Model 2321 Roller + Black Rubber Coating



Model 2521 Roller + Black Rubber Coating

## Steel Poly-Vee Pulley Roller



Model 2250 Roller + Steel Poly-Vee Pulley



Model 2250 Roller + Steel Poly-Vee Pulley

## PVC Tube Roller



Model 1200T Roller + PVC Roller Tube



Model 1200L Roller + PVC Roller Tube

## Double Grooved Roller



Model 2240 Roller + Double Grooves



Model 2240 Roller + Double Grooves

[34|Roller|Bearing|Components](#)

1200L	1200T	1200M	1800L	1800T	1800M	2411	2421	2311	2321	2322	2230	2240	2250	2260	2280	3211
3221	3816	3826	1500	1600	2521	2624	2650	2660	3110	3120	C1	C2	C3	C4	C5	

# Customized Conveyor Roller Series

## Machined Belt Conveyor Roller



Model 3110 Roller + Zinc Plated



Model 3110 Roller + Zinc Plated

## Machined Belt Conveyor Roller-Knurling



Model 3110 Roller + Knurling



Model 3110 Roller + Knurling

## Machined Belt Conveyor Roller-Sprocket+Bearing



Model 3110 Roller + Sprocket+Bearing



Model 3110 Roller + Sprocket+Bearing

## Machined Belt Conveyor Roller-Knurling



Model 3110 Roller + Knurling



Model 3110 Roller + Knurling

35|Roller|Bearing|Components

1200L	1200T	1200M	1800L	1800T	1800M	2411	2421	2311	2321	2322	2230	2240	2250	2260	2280	3211
3221	3816	3826	1500	1600	2521	2624	2650	2660	3110	3120	C1	C2	C3	C4	C5	

# Customized Conveyor Roller Series



SZ ROLLER

## Polyurethane Coated Conveyor Roller



Model 3110 Roller + Polyurethane Coating



Model 3110 Roller + Polyurethane Coating

## Machined Belt Conveyor Roller-Rubber Coating



Model 3110 Roller + Rubber Coating



Model 3110 Roller + Rubber Coating

## Machined Belt Conveyor Roller-Seals



Model 3110 Roller + Seals



Model 3110 Roller + Seals



Model 3110 Roller + Seals



Model 3110 Roller + Seals

## Machined Belt Conveyor Roller-Seals

36|Roller|Bearing|Components

1200L	1200T	1200M	1800L	1800T	1800M	2411	2421	2311	2321	2322	2230	2240	2250	2260	2280	3211
3221	3816	3826	1500	1600	2521	2624	2650	2660	3110	3120	C1	C2	C3	C4	C5	

# Customized Conveyor Roller Series

## Polyurethane Coated Conveyor Roller



Model 1200 Roller + Polyurethane Coating



Model 1200 Roller + Polyurethane Coating

## Machined Belt Conveyor Roller-Welded Housing



Model 3120 Roller + Welded Housing



Model 3120 Roller + Welded Housing

## Poly-Vee Pully Roller-Anti-Static Ball



Model 2250 Roller + Anti-Static Ball

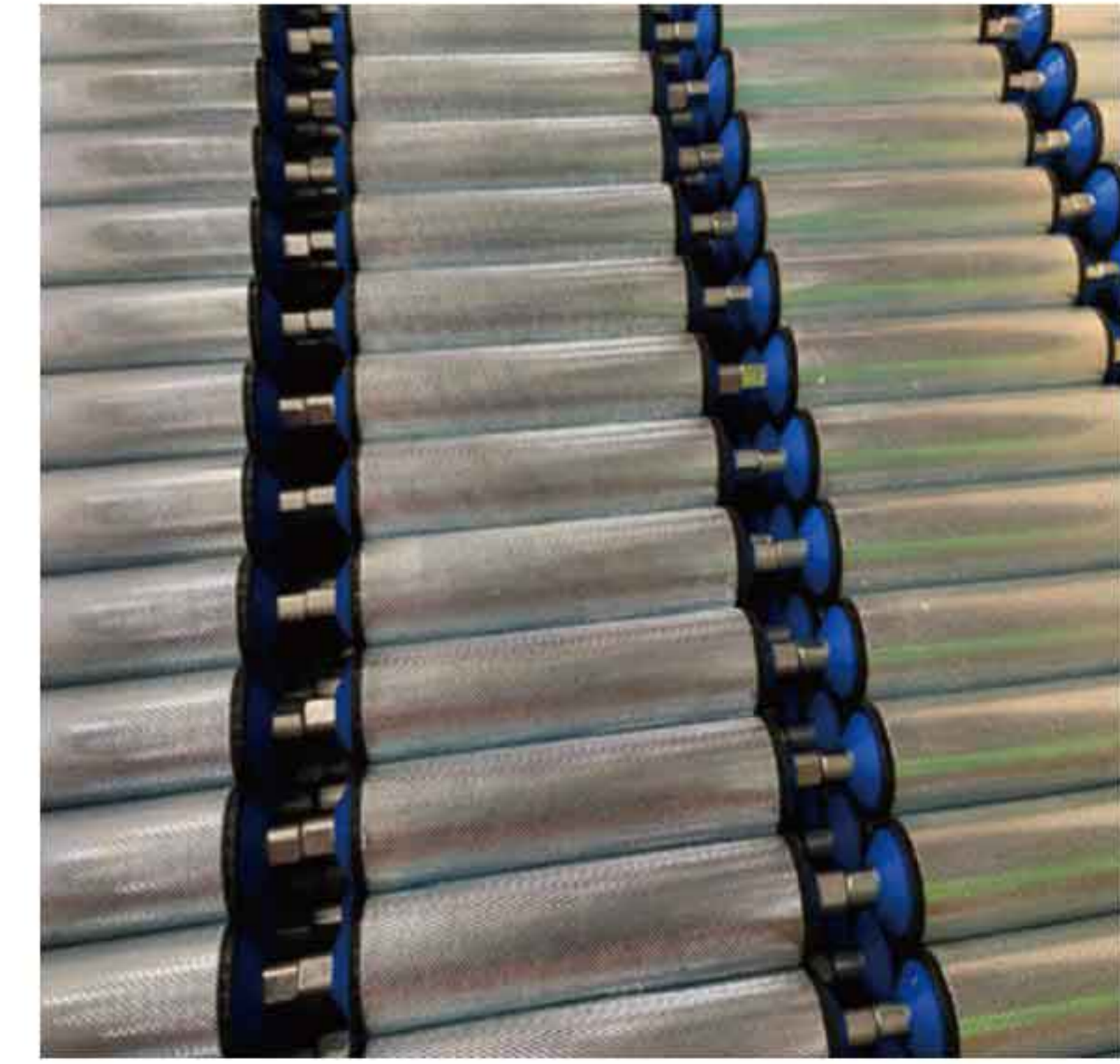


Model 2250 Roller + Anti-Static Ball

## Machined Belt Conveyor Roller-Knurling



Model 1200 Roller + Knurling



Model 1200 Roller + Knurling

[37|Roller|Bearing|Components](#)

1200L	1200T	1200M	1800L	1800T	1800M	2411	2421	2311	2321	2322	2230	2240	2250	2260	2280	3211
3221	3816	3826	1500	1600	2521	2624	2650	2660	3110	3120	C1	C2	C3	C4	C5	