



Company Introduction

Suzhou Zhisong Mould Co., Ltd. is located in Suzhou, Jiangsu, China, near Shanghai, with convenient export transportation.

This company is a professional enterprise engaged in the production, sales, research and development, and after-sales service of conveyor rollers/drum motors/conveyor accessories.

This catalog mainly introduces various plastic roller bearings, plastic sprockets, plastic cone sleeves, and other roller components. Whether you need various rollers to manufacture conveyors or drum components to make your own drums, we are your best one-stop full category supplier.

Our company produces over 1 million rolls and components annually for customers from the United States, Europe, Asia, and other continents, with reliable and stable quality. We provide a complete set of standard and customized drums and components for global equipment manufacturers, distributors, traders, and first tier stores. After years of development, the company has strong production and research and development capabilities, and we can also provide OEM services.



Metal/Plastic Bearing Housing For Conveyor roller



Suzhou Zhisong Mould Co.,Ltd

☎ : +86-18036068853
🌐 : www.szzsroller.com
✉ : Gavin@szzsroller.com
📍 : Suzhou City, Jiangsu province, China

Product Contents

Steel Roller Bearing Series 38-46

Model PS, Steel Housing With Zinc Plated, Precision Ball Bearing Inside ... 38-46

Plastic Roller Bearing Series 47-60

Model PA, Straight Edge, Precision Ball Bearing Inside ... 47-50

Model PB, Round Edge, Precision Ball Bearing Inside ... 50

Model PC, Blue KTR Roller Bearing, Precision Ball Bearing Inside ... 51

Model PD, Gray KTR Roller Bearing, Steel Balls Inside ... 52-54

Model PE, Single Sprocket, Separated Bush, Single Bearing Inside ... 54-55

Model PF, Single Sprocket, Separated Bush, Double Bearing Inside ... 56

Model PG, Double Sprocket, Separated Bush ... 57

Model PH, Poly-Vee Pulley, PJ 9 Grooves, Separated Bush ... 58

Model PJ, Poly-Vee Pulley, PJ 9 Grooves ... 59

Model PK, Double Grooves Pulley ... 59

Model PM, Timing Belt Pulley, T5x26t-10.12mm Width, Separated Bush ... 60

Components Series 61-65

Model PU, Φ 50mm Tapered Sleeve Without Locker ... 61

Model PV, Φ 50.8mm Tapered Sleeve Without Locker ... 62

Model PW, Φ 50mm Tapered Sleeve With Locker ... 63

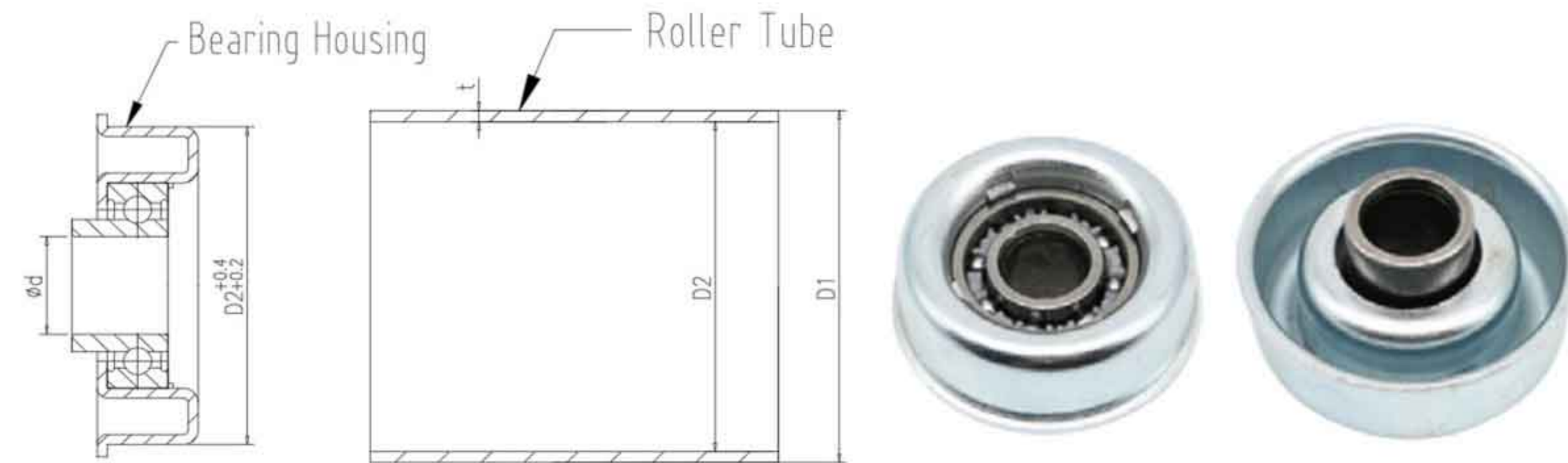
Model PT, Plastic Skate Wheel ... 64

Model PX, Steel Skate Wheel ... 65

Model CC, CD, Plastic Pulley, Pulyurethane Band ... 66

Model CF, PVC Soft Sleeve ... 67-68

Steel Roller Bearing Series



The steel roller bearing consists of precision ball bearing and galvanized steel housing. The steel roller bearing will be pushed into the roller tube by hydraulic machinery tightly when one roller is being making.

To meet different roller load capacities and roller tube sizes, available sizes for selection include $\Phi 25\text{mm}$, $\Phi 32\text{mm}$, $\Phi 35\text{mm}$, $\Phi 38\text{mm}$, $\Phi 40\text{mm}$, $\Phi 42\text{mm}$, $\Phi 45\text{mm}$, $\Phi 48\text{mm}$, $\Phi 50\text{mm}$, $\Phi 51\text{mm}$, $\Phi 57\text{mm}$, $\Phi 60\text{mm}$, $\Phi 63\text{mm}$, $\Phi 70\text{mm}$, $\Phi 76\text{mm}$, $\Phi 80$, $\Phi 89\text{mm}$, $\Phi 102\text{mm}$, $\Phi 108\text{mm}$.

The steel skate wheels are available for the skate wheel conveyors.

Model PS: $\Phi 25\text{mm}$ Steel Roller Bearing

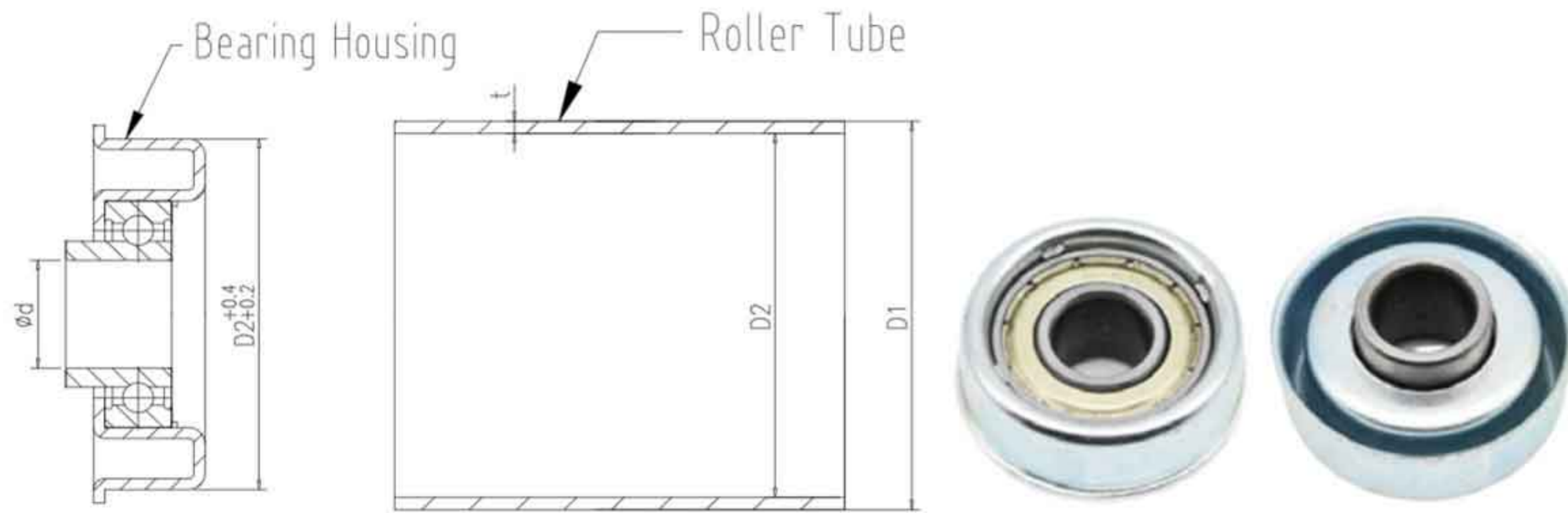
Model	Roller OD	Roller Thk.	Roller ID	Bore Dia.	Bearing No.
	D1/mm	t/mm	D2/mm	d/mm	
PS01	25	0.8	23.4	8	698
PS02	25	1.0	23.0	8	698
PS03	25	1.2	22.6	8	698
PS04	25	1.5	22.0	8	698
PS05	25	0.8	23.4	10	6800
PS06	25	1.0	23.0	10	6800
PS07	25	1.2	22.6	10	6800
PS08	25	1.5	22.0	10	6800

Link

[38|Roller|Bearing|Components](#)

PS- $\Phi 25$	PS- $\Phi 32$	PS- $\Phi 35$	PS- $\Phi 38$	PS- $\Phi 40$	PS- $\Phi 42$	PS- $\Phi 45$	PS- $\Phi 48$	PS- $\Phi 50$	PS- $\Phi 51$	PS- $\Phi 57$	PS- $\Phi 60$	PS- $\Phi 63$	PS- $\Phi 70$	PS- $\Phi 76$	PS- $\Phi 80$	PS- $\Phi 89$	PS- $\Phi 102$	PS- $\Phi 108$	PA- $\Phi 25$	PA- $\Phi 32$	PA- $\Phi 38$	PA- $\Phi 42$	PA- $\Phi 50$	PA- $\Phi 50.6$	PA- $\Phi 50.8$	PA- $\Phi 57$	PA- $\Phi 60$
PA- $\Phi 63$	PA- $\Phi 76$	PA- $\Phi 89$	PB- $\Phi 50$	PB- $\Phi 60$	PC- $\Phi 50$	PC- $\Phi 60$	PD- $\Phi 16$	PD- $\Phi 20$	PD- $\Phi 25$	PD- $\Phi 30$	PD- $\Phi 38$	PD- $\Phi 40$	PD- $\Phi 50$	PD- $\Phi 60$	PE- $\Phi 50$	PE- $\Phi 60$	PF- $\Phi 50$	PF- $\Phi 60$	PG- $\Phi 50$	PG- $\Phi 60$	PH- $\Phi 50$	PH- $\Phi 60$	PJ- $\Phi 50$	PK- $\Phi 50$	PM- $\Phi 50$	PM- $\Phi 60$	

Steel Roller Bearing Series



Model PS: $\phi 38\text{mm}$, $\phi 40\text{mm}$ Steel Roller Bearing

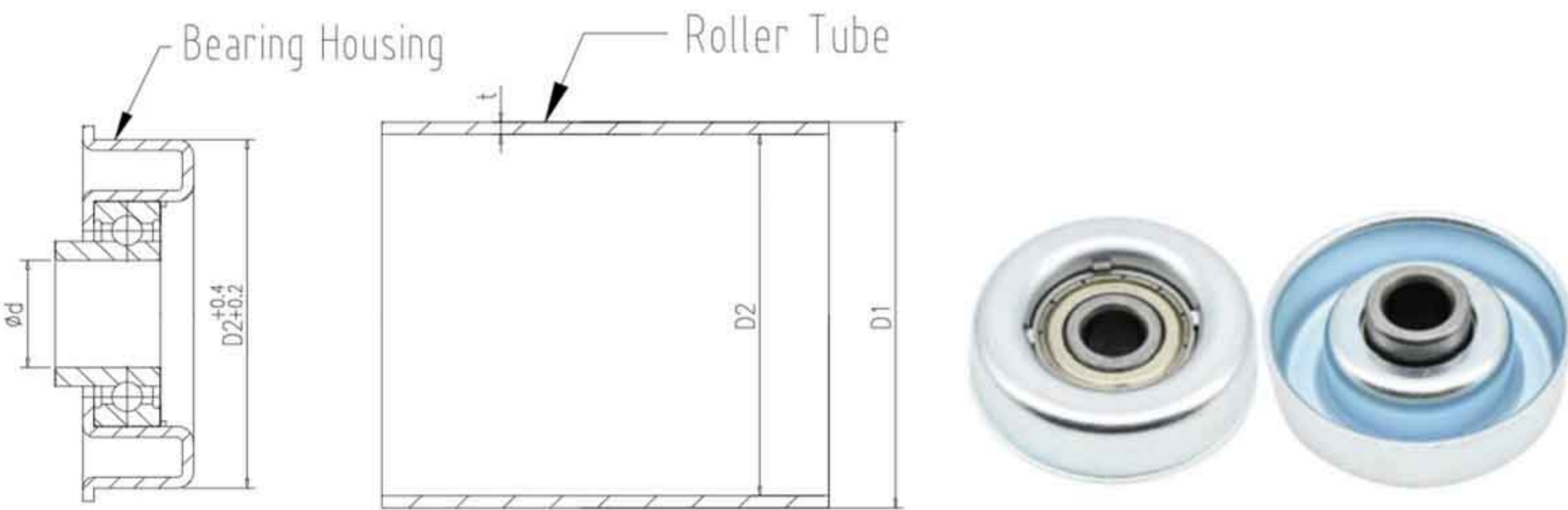
Model	Roller OD	Roller Thk.	Roller ID	Bore Dia.	Bearing No.
	D1/mm	t/mm	D2/mm	d/mm	
PS19	38	1.0	36.0	8	6001
PS20	38	1.2	35.6	8	6001
PS21	38	1.5	35.0	8	6001
PS22	38	2.0	34.0	8	6001
PS23	38	1.0	36.0	10	6001
PS24	38	1.2	35.6	10	6001
PS25	38	1.5	35.0	10	6001
PS26	38	2.0	34.0	10	6001
PS27	38	1.0	36.0	hex 11	6001
PS28	38	1.2	35.6	hex 11	6001
PS29	38	1.5	35.0	hex 11	6001
PS30	38	2.0	34.0	hex 11	6001
PS31	38	1.0	36.0	12	6001
PS32	38	1.2	35.6	12	6001
PS33	38	1.5	35.0	12	6001
PS34	38	2.0	34.0	12	6001
PS35	40	1.5	37.0	10	6001
PS36	40	1.5	37.0	hex11	6001
PS37	40	1.5	37.0	12	6001

Model PS: $\phi 32\text{mm}$, $\phi 35\text{mm}$ Steel Roller Bearing

Model	Roller OD	Roller Thk.	Roller ID	Bore Dia.	Bearing No.
	D1/mm	t/mm	D2/mm	d/mm	
PS09	32	1.2	29.6	8	698
PS10	32	1.5	29.0	8	698
PS11	32	2.0	28.0	8	698
PS12	32	1.2	29.6	10	6800
PS13	32	1.5	29.0	10	6800
PS14	32	2.0	28.0	10	6800
PS15	32	1.2	29.6	12	6001
PS16	32	1.5	29.0	12	6001
PS17	32	2.0	28.0	12	6001
PS18	35	1.5	32.0	8	608

Link

Steel Roller Bearing Series



Model PS: ϕ 45mm, ϕ 48mm Steel Roller Bearing

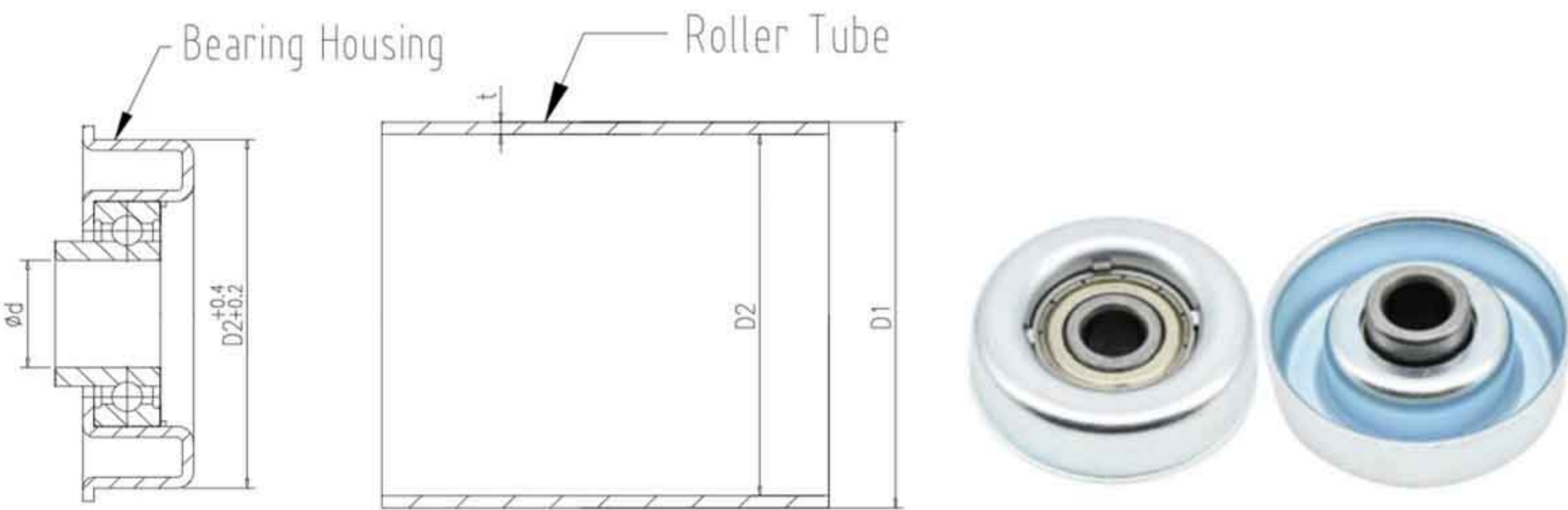
Model	Roller OD	Roller Thk.	Roller ID	Bore Dia.	Bearing No.
	D1/mm	t/mm	D2/mm	d/mm	
PS50	45	1.4	42.2	10	6001
PS51	45	1.4	42.2	hex 11	6001
PS52	45	1.4	42.2	12	6001
PS53	48	1.2	45.6	10	6001
PS54	48	1.5	45.0	10	6001
PS55	48	2.0	44.0	10	6001
PS56	48	1.2	45.6	hex11	6001
PS57	48	1.5	45.0	hex11	6001
PS58	48	2.0	44.0	hex11	6001
PS59	48	1.2	45.6	12	6001
PS60	48	1.5	45.0	12	6001
PS61	48	2.0	44.0	12	6001
PS62	48	1.2	45.6	15	6002
PS63	48	1.5	45.0	15	6002
PS64	48	2.0	44.0	15	6002

Model PS: ϕ 42mm Steel Roller Bearing

Model	Roller OD	Roller Thk.	Roller ID	Bore Dia.	Bearing No.
	D1/mm	t/mm	D2/mm	d/mm	
PS38	42	1.2	39.6	10	6001
PS39	42	1.5	39.0	10	6001
PS40	42	2.0	38.0	10	6001
PS41	42	2.5	37.0	10	6001
PS42	42	1.2	39.6	hex11	6001
PS43	42	1.5	39.0	hex11	6001
PS44	42	2.0	38.0	hex11	6001
PS45	42	2.5	37.0	hex11	6001
PS46	42	1.2	39.6	12	6001
PS47	42	1.5	39.0	12	6001
PS48	42	2.0	38.0	12	6001
PS49	42	2.5	39.6	12	6001

Link

Steel Roller Bearing Series



Model PS: Φ 50mm Steel Roller Bearing

Model	Roller OD	Roller Thk.	Roller ID	Bore Dia.	Bearing No.
	D1/mm	t/mm	D2/mm	d/mm	
PS77	50	1.0	48.0	15	6002
PS78	50	1.2	47.6	15	6002
PS79	50	1.5	47.0	15	6002
PS80	50	2.0	46.0	15	6002
PS81	50	2.5	45.0	15	6002
PS82	50	3.0	44.0	15	6002

Model PS: Φ 50mm Steel Roller Bearing

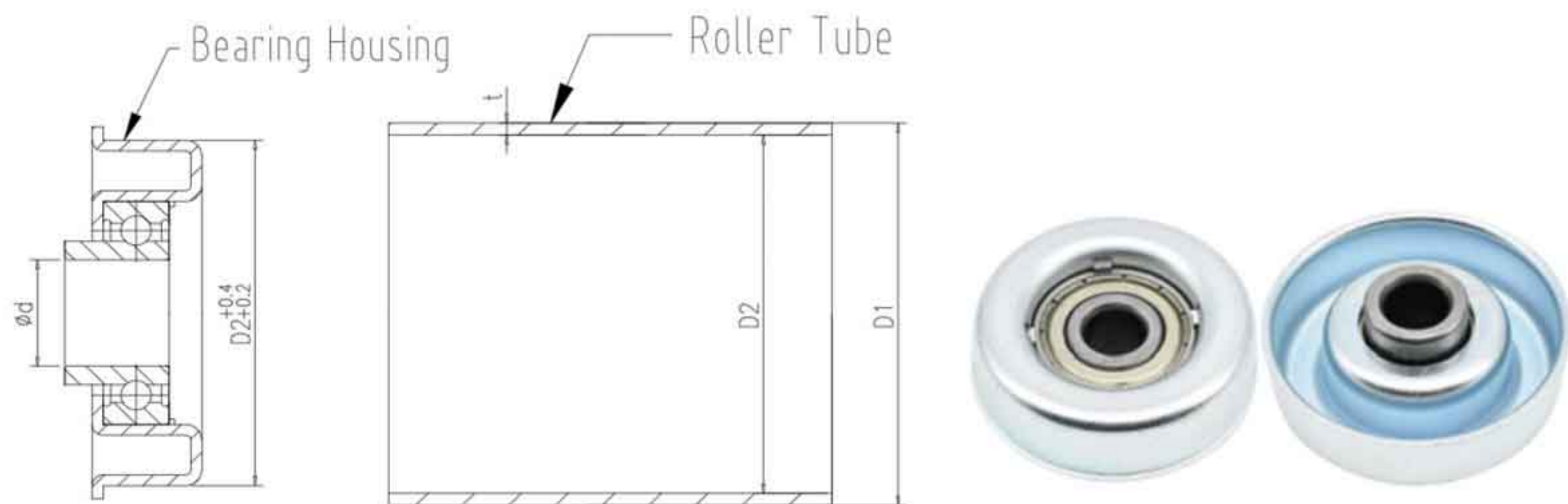
Model	Roller OD	Roller Thk.	Roller ID	Bore Dia.	Bearing No.
	D1/mm	t/mm	D2/mm	d/mm	
PS65	50	1.0	48.0	hex11	6001
PS66	50	1.2	47.6	hex11	6001
PS67	50	1.5	47.0	hex11	6001
PS68	50	2.0	46.0	hex11	6001
PS69	50	2.5	45.0	hex11	6001
PS70	50	3.0	44.0	hex11	6001
PS71	50	1.0	48.0	12	6001
PS72	50	1.2	47.6	12	6001
PS73	50	1.5	47.0	12	6001
PS74	50	2.0	46.0	12	6001
PS75	50	2.5	45.0	12	6001
PS76	50	3.0	44.0	12	6001

Model PS: Φ 51mm Steel Roller Bearing

Model	Roller OD	Roller Thk.	Roller ID	Bore Dia.	Bearing No.
	D1/mm	t/mm	D2/mm	d/mm	
PS83	51	1.2	48.6	hex11	6001
PS84	51	1.5	48.0	hex11	6001
PS85	51	2.0	47.0	hex11	6001
PS86	51	1.2	48.6	12	6001
PS87	51	1.5	48.0	12	6001
PS88	51	2.0	47.0	12	6001
PS89	51	1.2	48.6	15	6002
PS90	51	1.5	48.0	15	6002
PS91	51	2.0	47.0	15	6002

Link

Steel Roller Bearing Series



Model PS: $\phi 60$ mm Steel Roller Bearing

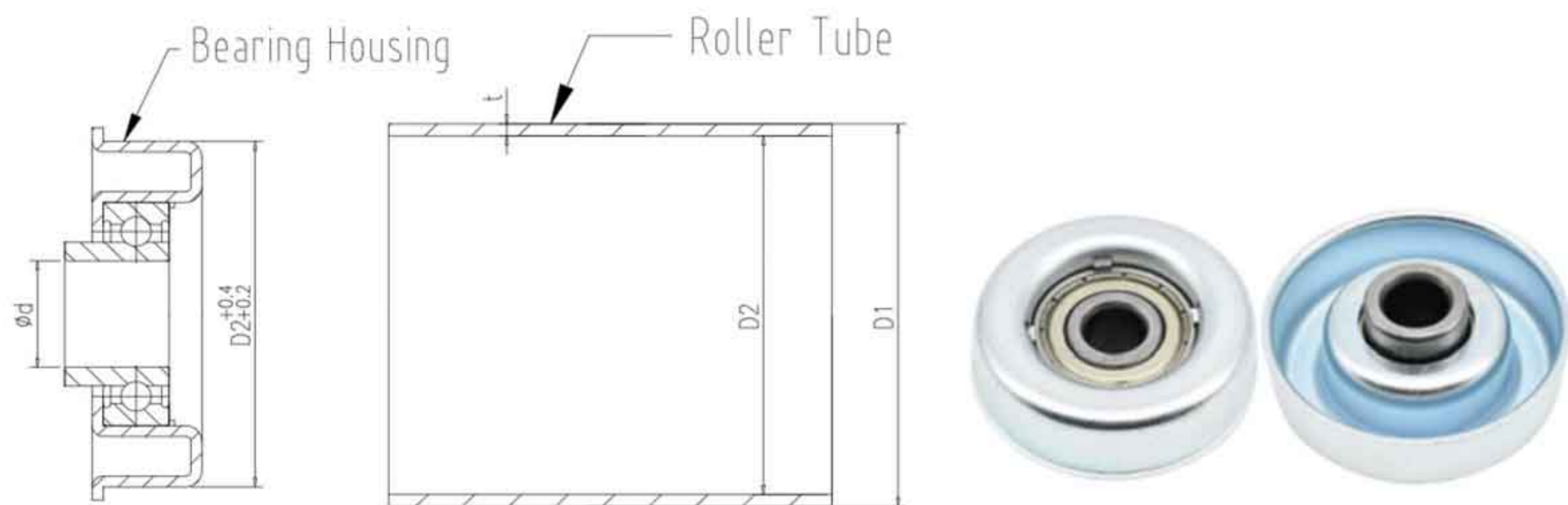
Model	Roller OD	Roller Thk.	Roller ID	Bore Dia.	Bearing No.
	D1/mm	t/mm	D2/mm	d/mm	
PS106	60	1.2	57.6	hex11	6001
PS107	60	1.5	57.0	hex11	6001
PS108	60	2.0	56.0	hex11	6001
PS109	60	2.5	55.0	hex11	6001
PS110	60	3.0	54.0	hex11	6001
PS111	60	3.75	52.5	hex11	6001
PS112	60	1.2	57.6	12	6001
PS113	60	1.5	57.0	12	6001
PS114	60	2.0	56.0	12	6001
PS115	60	2.5	55.0	12	6001
PS116	60	3.0	54.0	12	6001
PS117	60	3.75	52.5	12	6001
PS118	60	1.2	57.6	15	6002
PS119	60	1.5	57.0	15	6002
PS120	60	2.0	56.0	15	6002
PS121	60	2.5	55.0	15	6002
PS122	60	3.0	54.0	15	6002
PS123	60	3.75	52.5	15	6002
PS124	60	1.2	57.6	hex14	6202
PS125	60	1.5	57.0	hex14	6202

Model PS: $\phi 57$ mm Steel Roller Bearing

Model	Roller OD	Roller Thk.	Roller ID	Bore Dia.	Bearing No.
	D1/mm	t/mm	D2/mm	d/mm	
PS92	57	1.2	54.6	10	6001
PS93	57	1.5	54.0	10	6001
PS94	57	2.0	53.0	10	6001
PS95	57	1.2	54.6	hex11	6001
PS96	57	1.5	54.0	hex11	6001
PS97	57	2.0	53.0	hex11	6001
PS98	57	1.2	54.6	12	6001
PS99	57	1.5	54.0	12	6001
PS100	57	2.0	53.0	12	6001
PS101	57	1.2	54.6	15	6002
PS102	57	1.5	54.0	15	6002
PS103	57	2.0	53.0	15	6002
PS104	57	1.2	54.6	hex14	6202
PS105	57	1.5	54.0	15	6202

Link

Steel Roller Bearing Series



Model PS: Φ 60mm Steel Roller Bearing

Model	Roller OD	Roller Thk.	Roller ID	Bore Dia.	Bearing No.
	D1/mm	t/mm	D2/mm	d/mm	
PS140	60	3.0	54.0	hex17	6004
PS141	60	1.2	57.6	20	6004
PS142	60	1.5	57.0	20	6004
PS143	60	2.0	56.0	20	6004
PS144	60	2.5	55.0	20	6004
PS145	60	3.0	54.0	20	6004

Model PS: Φ 60mm Steel Roller Bearing

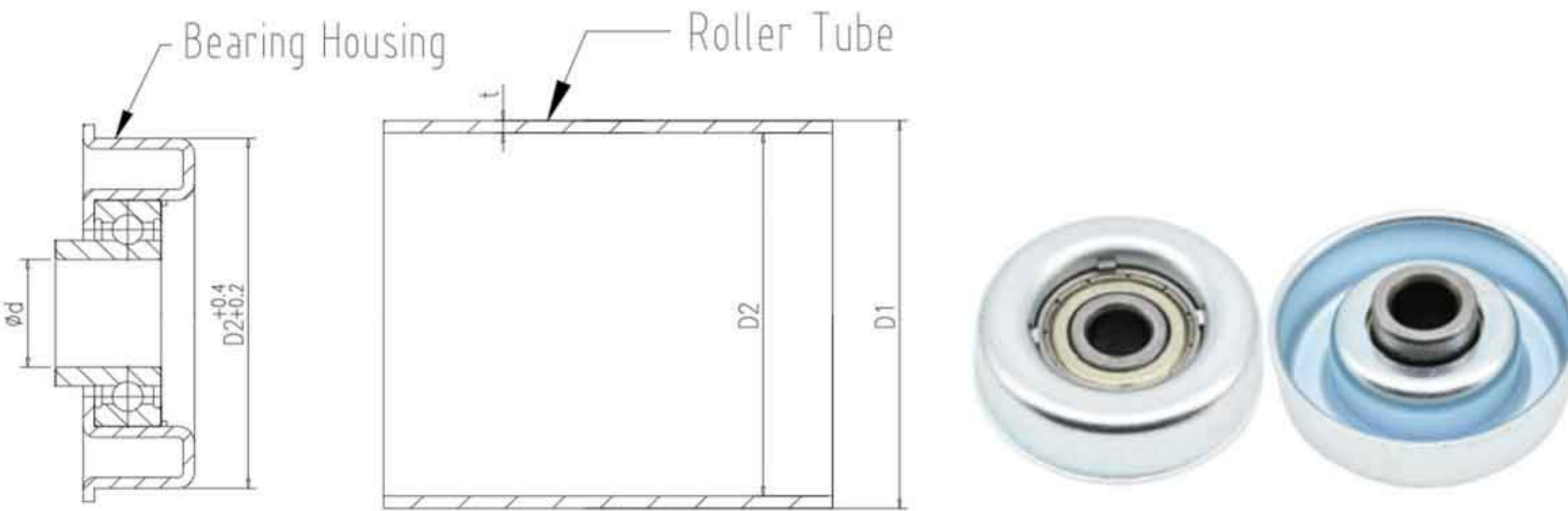
Model	Roller OD	Roller Thk.	Roller ID	Bore Dia.	Bearing No.
	D1/mm	t/mm	D2/mm	d/mm	
PS126	60	2.0	56.0	hex14	6202
PS127	60	2.5	55.0	hex14	6202
PS128	60	3.0	54.0	hex14	6202
PS129	60	3.75	52.5	hex14	6202
PS130	60	1.2	57.6	15	6202
PS131	60	1.5	57.0	15	6202
PS132	60	2.0	56.0	15	6202
PS133	60	2.5	55.0	15	6202
PS134	60	3.0	54.0	15	6202
PS135	60	3.75	52.5	15	6202
PS136	60	1.2	57.6	hex17	6004
PS137	60	1.5	57.0	hex17	6004
PS138	60	2.0	56.0	hex17	6004
PS139	60	2.5	55.0	hex17	6004

Model PS: Φ 63mm Steel Roller Bearing

Model	Roller OD	Roller Thk.	Roller ID	Bore Dia.	Bearing No.
	D1/mm	t/mm	D2/mm	d/mm	
PS146	63	1.5	60.0	hex11	6001
PS147	63	2.0	59.0	hex11	6001
PS148	63	1.5	60.0	12	6001
PS149	63	2.0	59.0	12	6001
PS150	63	2.0	59.0	15	6002
PS151	63	3.0	57.0	15	6002
PS152	63	2.0	59.0	hex14	6202
PS153	63	2.5	58.0	hex14	6202
PS154	63	3.0	57.0	hex14	6202
PS155	63	2.0	59.0	15	6202

Link

Steel Roller Bearing Series



Model PS: Φ 70mm Steel Roller Bearing

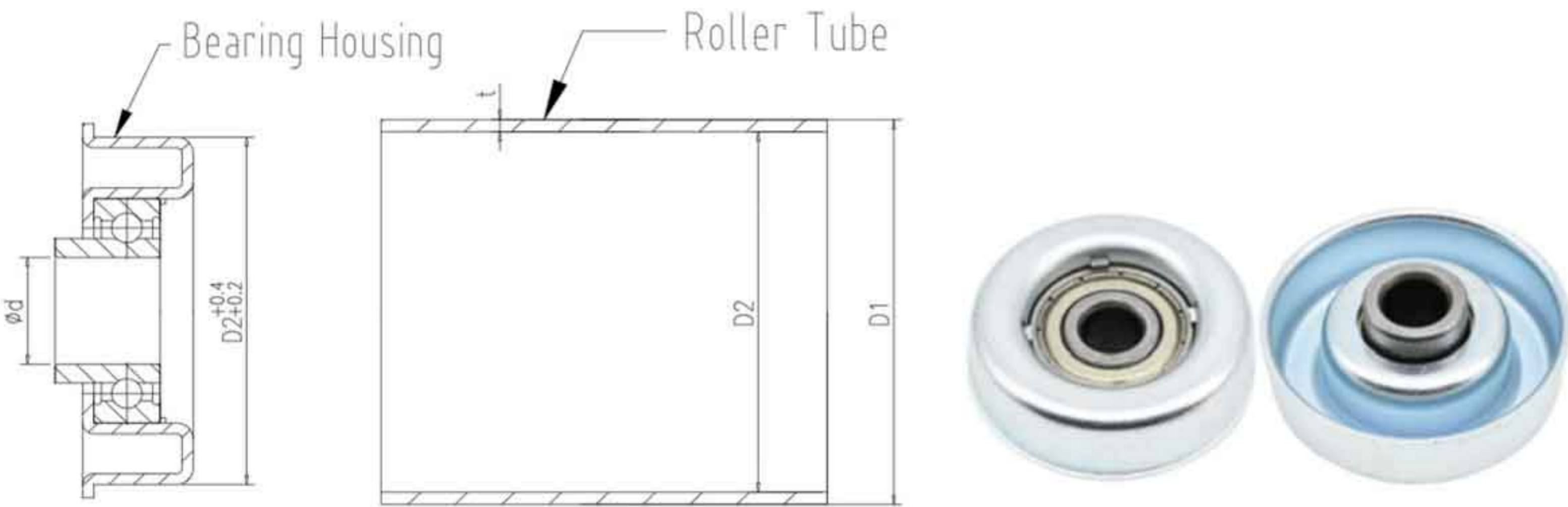
Model	Roller OD	Roller Thk.	Roller ID	Bore Dia.	Bearing No.
	D1/mm	t/mm	D2/mm	d/mm	
PS162	70	1.5	67.0	12	6201
PS163	70	2.0	66.0	12	6201
PS164	70	1.5	67.0	15	6002
PS165	70	2.0	66.0	15	6002
PS166	70	3.0	64.0	15	6002
PS167	70	3.75	62.5	15	6002
PS168	70	2.0	66.0	hex14	6202
PS169	70	3.0	64.0	hex14	6202
PS170	70	3.75	62.5	hex14	6202
PS171	70	2.0	66.0	15	6202
PS172	70	3.0	64.0	15	6202
PS173	70	3.75	62.5	15	6202

Model PS: Φ 63mm Steel Roller Bearing

Model	Roller OD	Roller Thk.	Roller ID	Bore Dia.	Bearing No.
	D1/mm	t/mm	D2/mm	d/mm	
PS156	63	2.5	58.0	15	6202
PS157	63	3.0	57.0	15	6202
PS158	63	2.0	59.0	hex17	6004
PS129	63	3.0	57.0	hex17	6004
PS160	63	2.0	59.0	20	6004
PS161	63	3.0	57.0	20	6004

Link

Steel Roller Bearing Series



Model PS: Φ 76mm Steel Roller Bearing

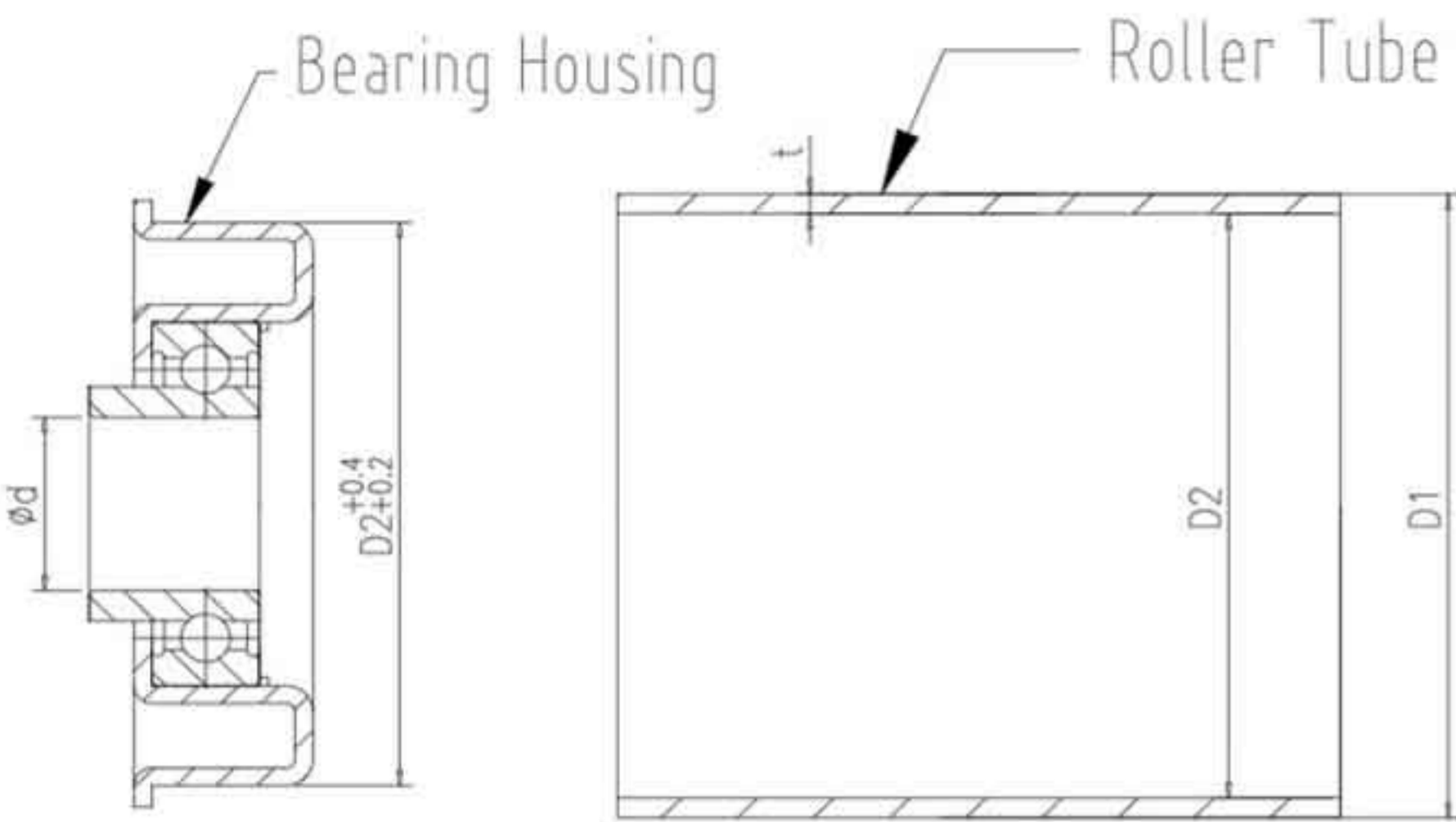
Model	Roller OD	Roller Thk.	Roller ID	Bore Dia.	Bearing No.
	D1/mm	t/mm	D2/mm	d/mm	
PS174	76	1.5	73.0	12	6201
PS175	76	2.0	72.0	12	6201
PS176	76	2.5	71.0	12	6201
PS177	76	3.0	70.0	12	6201
PS178	76	1.5	73.0	15	6002
PS179	76	2.0	72.0	15	6002
PS180	76	2.5	71.0	15	6002
PS181	76	3.0	70.0	15	6002
PS182	76	2.0	72.0	hex14	6202

Model PS: Φ 76mm Steel Roller Bearing

Model	Roller OD	Roller Thk.	Roller ID	Bore Dia.	Bearing No.
	D1/mm	t/mm	D2/mm	d/mm	
PS183	76	3.0	70.0	hex14	6202
PS184	76	3.75	68.5	hex14	6202
PS185	76	2.0	72.0	15	6202
PS186	76	3.0	70.0	15	6202
PS187	76	3.75	68.5	15	6202
PS188	76	2.0	72.0	hex17	6004
PS189	76	2.5	71.0	hex17	6004
PS190	76	3.0	70.0	hex17	6004
PS191	76	2.0	72.0	20	6004
PS192	76	2.5	71.0	20	6004
PS193	76	3.0	70.0	20	6004
PS194	76	1.5	73.0	20	6204
PS195	76	2.0	72.0	20	6204
PS196	76	2.5	71.0	20	6204
PS197	76	3.0	70.0	20	6204
PS198	76	3.75	68.5	20	6204
PS199	76	4.0	68.0	20	6204

Link

Steel Roller Bearing Series



Model PS: Φ 89mm Steel Roller Bearing

Model	Roller OD	Roller Thk.	Roller ID	Bore Dia.	Bearing No.
	D1/mm	t/mm	D2/mm	d/mm	
PS206	89	2.0	85.0	hex14	6202
PS207	89	2.5	84.0	hex14	6202
PS208	89	3.0	83.0	hex14	6202
PS209	89	2.0	85.0	15	6202
PS210	89	2.5	84.0	15	6202
PS211	89	3.0	83.0	15	6202
PS212	89	2.0	85.0	20	6204
PS213	89	2.5	84.0	20	6204
PS214	89	3.0	83.0	20	6204
PS215	89	3.5	82.0	20	6204
PS216	89	3.75	81.5	20	6204

Model PS: Φ 80mm Steel Roller Bearing

Model	Roller OD	Roller Thk.	Roller ID	Bore Dia.	Bearing No.
	D1/mm	t/mm	D2/mm	d/mm	
PS200	80	2.0	76.0	hex14	6202
PS201	80	3.0	74.0	hex14	6202
PS202	80	2.0	76.0	15	6202
PS203	80	3.0	74.0	15	6202
PS204	80	2.0	76.0	20	6204
PS205	80	3.0	74.0	20	6204

Model PS: Φ 102mm, Φ 108mm Steel Roller Bearing

Model	Roller OD	Roller Thk.	Roller ID	Bore Dia.	Bearing No.
	D1/mm	t/mm	D2/mm	d/mm	
PS217	102	3.5	95.0	20	6204
PS218	108	3.0	102.0	20	6204
PS219	108	3.5	101.0	20	6204

Link

[46|Roller|Bearing|Components](#)

PS- Φ 25	PS- Φ 32	PS- Φ 35	PS- Φ 38	PS- Φ 40	PS- Φ 42	PS- Φ 45	PS- Φ 48	PS- Φ 50	PS- Φ 51	PS- Φ 57	PS- Φ 60	PS- Φ 63	PS- Φ 70	PS- Φ 76	PS- Φ 80	PS- Φ 89	PS- Φ 102	PS- Φ 108	PA- Φ 25	PA- Φ 32	PA- Φ 38	PA- Φ 42	PA- Φ 50	PA- Φ 50.6	PA- Φ 50.8	PA- Φ 57	PA- Φ 60
PA- Φ 63	PA- Φ 76	PA- Φ 89	PB- Φ 50	PB- Φ 60	PC- Φ 50	PC- Φ 60	PD- Φ 16	PD- Φ 20	PD- Φ 25	PD- Φ 30	PD- Φ 38	PD- Φ 40	PD- Φ 50	PD- Φ 60	PE- Φ 50	PE- Φ 60	PF- Φ 50	PF- Φ 60	PG- Φ 50	PG- Φ 60	PH- Φ 50	PH- Φ 60	PJ- Φ 50	PK- Φ 50	PM- Φ 50	PM- Φ 60	

Plastic Roller Bearing Series

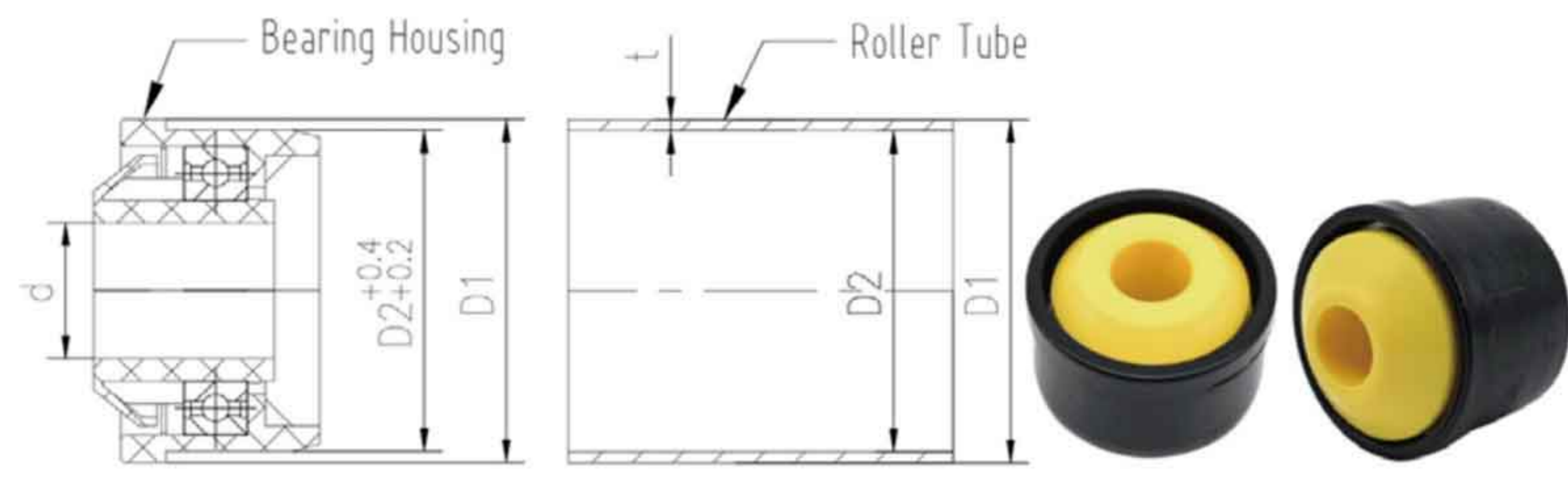


The plastic roller bearings, sprocket bearings, poly-vee bearings, timing belt bearings, KTR bearings, plastic skate wheels, tapered sleeves will be shown in the next few pages.

The universal roller bearings include straight type, round type, KTR steel balls type etc.

The driven elements include sprocket, poly-vee belt, timing belt etc.

Also different kinds of plastic skate wheels, tapered sleeves, pulleys are available for your choice.

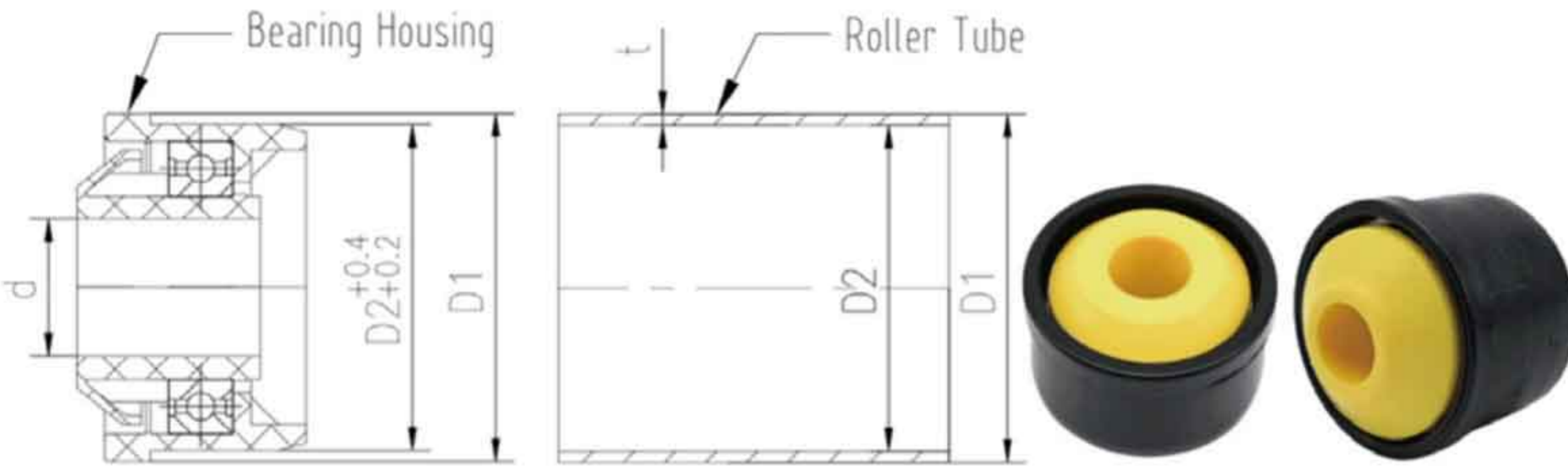


Model PA: Φ 25mm, Φ 32mm, Φ 38mm Plastic Roller Bearing Straight Edge, Precision Ball Bearing Inside

Model	Roller OD	Roller Thk.	Roller ID	Bore Dia.	Bearing No.
	D1/mm	t/mm	D2/mm	d/mm	
PA01	25	0.8	23.4	8	608
PA02	32	1.0	30.0	8	6001
PA03	32	1.0	30.0	10	6001
PA04	32	1.2	29.6	8	6001
PA05	32	1.2	29.6	10	6001
PA06	38	0.8	36.4	hex11	6002
PA07	38	0.8	36.4	12	6002
PA08	38	0.8	36.4	15	6804
PA09	38	1.0	36.0	hex11	6002
PA10	38	1.0	36.0	12	6002
PA11	38	1.0	36.0	15	6804
PA12	38	1.2	35.6	hex11	6002

Link

Plastic Roller Bearing Series



Model PA: Φ 50mm Plastic Roller Bearing Straight Edge, Precision Ball Bearing Inside

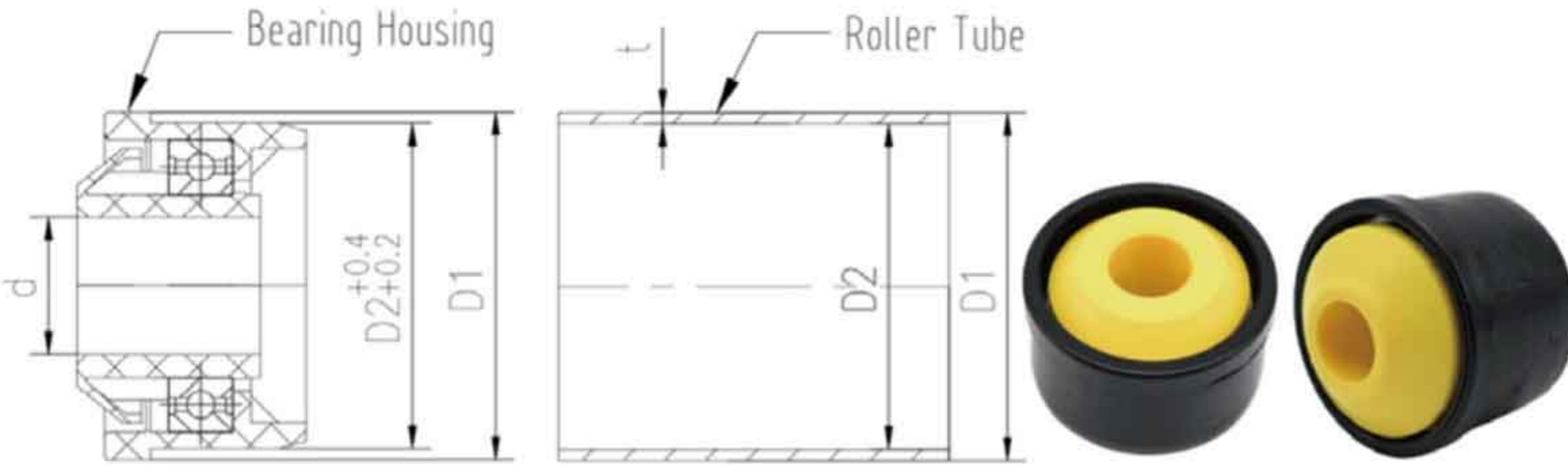
Model	Roller OD	Roller Thk.	Roller ID	Bore Dia.	Bearing No.
	D1/mm	t/mm	D2/mm	d/mm	
PA24	50	1.0	48.0	hex11	6002
PA25	50	1.0	48.0	12	6002
PA26	50	1.0	48.0	15	6804
PA27	50	1.2	47.6	hex11	6002
PA28	50	1.2	47.6	12	6002
PA29	50	1.2	47.6	15	6804
PA30	50	1.5	47.0	hex11	6002
PA31	50	1.5	47.0	12	6002
PA32	50	1.5	47.0	15	6804
PA33	50	2.0	46.0	hex11	6002
PA34	50	2.0	46.0	12	6002
PA35	50	2.0	46.0	15	6804
PA36	50	2.5	45.0	hex11	6002
PA37	50	2.5	45.0	12	6002
PA38	50	2.5	45.0	15	6804
PA39	50	3.0	44.0	hex11	6002
PA40	50	3.0	44.0	12	6002
PA41	50	3.0	44.0	15	6804

Model PA: Φ 38, Φ 42mm Plastic Roller Bearing Straight Edge, Precision Ball Bearing Inside

Model	Roller OD	Roller Thk.	Roller ID	Bore Dia.	Bearing No.
	D1/mm	t/mm	D2/mm	d/mm	
PA13	38	1.2	35.6	12	6002
PA14	38	1.2	35.6	15	6804
PA15	38	1.5	35.0	hex11	6002
PA16	38	1.5	35.0	12	6002
PA17	38	1.5	35.0	15	6804
PA18	42	1.0	40.0	hex11	6002
PA19	42	1.0	40.0	12	6002
PA20	42	1.0	40.0	15	6804
PA21	42	1.5	39.0	hex11	6002
PA22	42	1.5	39.0	12	6002
PA23	42	1.5	39.0	15	6804

Link

Plastic Roller Bearing Series



Model PA: $\Phi 60\text{mm}$, $\Phi 63\text{mm}$, $\Phi 76\text{mm}$ Plastic Roller Bearing Straight Edge, Precision Ball Bearing Inside

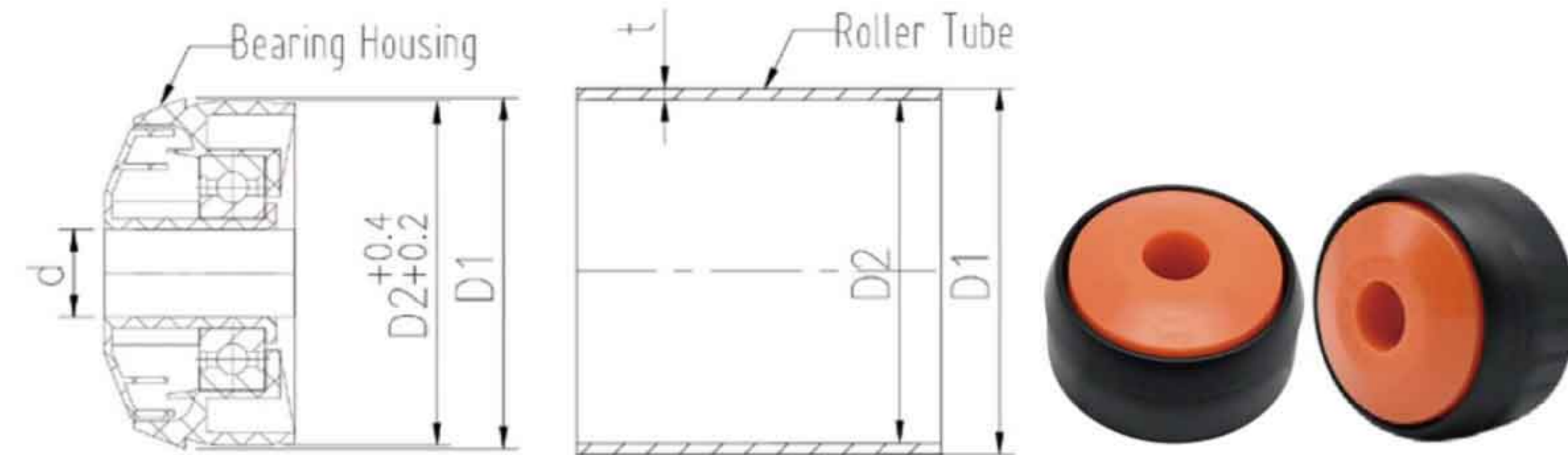
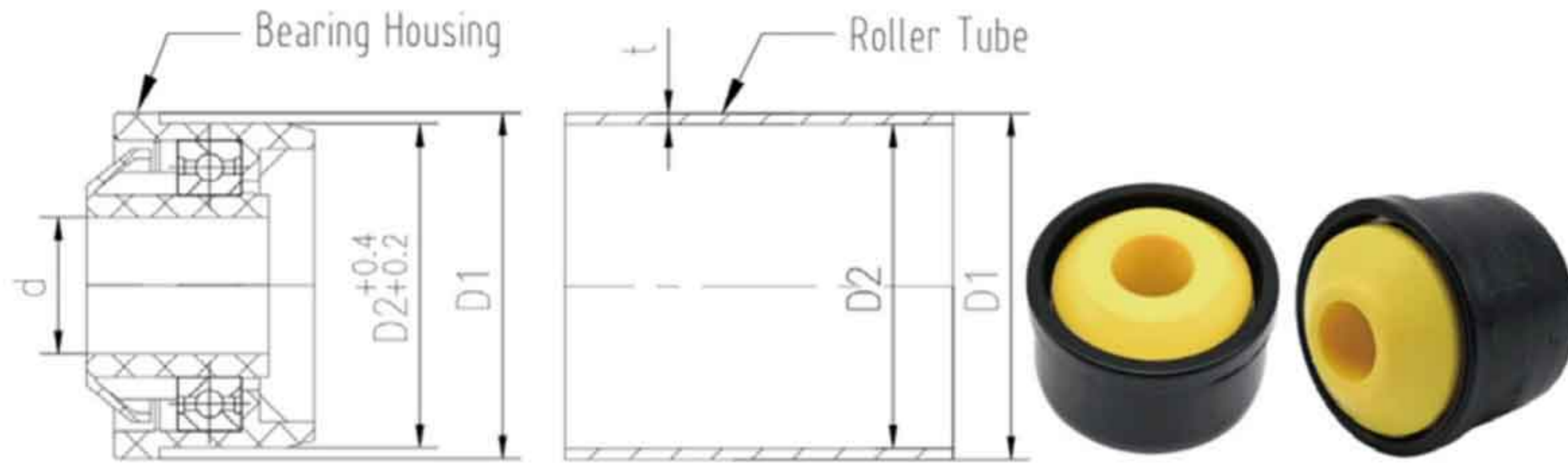
Model	Roller OD	Roller Thk.	Roller ID	Bore Dia.	Bearing No.
	D1/mm	t/mm	D2/mm	d/mm	
PA54	60	1.2	57.6	hex11	6002
PA55	60	1.2	57.6	12	6002
PA56	60	1.2	57.6	15	6804
PA57	60	1.5	57.0	hex11	6002
PA58	60	1.5	57.0	12	6002
PA59	60	1.5	57.0	15	6804
PA60	60	2.0	56.0	hex11	6002
PA61	60	2.0	56.0	12	6002
PA62	60	2.0	56.0	15	6804
PA63	63	2.0	59.0	hex11	6002
PA64	63	2.0	59.0	12	6002
PA65	63	2.0	59.0	15	6804
PA66	76	1.5	73.0	hex11	6002
PA67	76	1.5	73.0	12	6002
PA68	76	1.5	73.0	15	6004
PA69	76	1.5	73.0	16	6004
PA70	76	1.5	73.0	18	6005
PA71	76	2.0	72.0	hex11	6002
PA72	76	2.0	72.0	12	6002
PA73	76	2.0	72.0	15	6004

Model PA: $\Phi 50.6\text{mm}$, $\Phi 50.8\text{mm}$, $\Phi 57\text{mm}$ Plastic Roller Bearing Straight Edge, Precision Ball Bearing Inside

Model	Roller OD	Roller Thk.	Roller ID	Bore Dia.	Bearing No.
	D1/mm	t/mm	D2/mm	d/mm	
PA42	50.6	1.5	47.6	hex11	6002
PA43	50.6	1.5	47.6	12	6002
PA44	50.6	1.5	47.6	15	6804
PA45	50.8	1.0	48.8	hex11	6002
PA46	50.8	1.0	48.8	12	6002
PA47	50.8	1.0	48.8	15	6804
PA48	50.8	1.5	47.8	hex11	6002
PA49	50.8	1.5	47.8	12	6002
PA50	50.8	1.5	47.8	15	6804
PA51	57	1.5	54.0	hex11	6002
PA52	57	1.5	54.0	12	6002
PA53	57	1.0	54.0	15	6804

Link

Plastic Roller Bearing Series



Model PA: Φ 76mm, Φ 89mm Plastic Roller Bearing Straight Edge, Precision Ball Bearing Inside

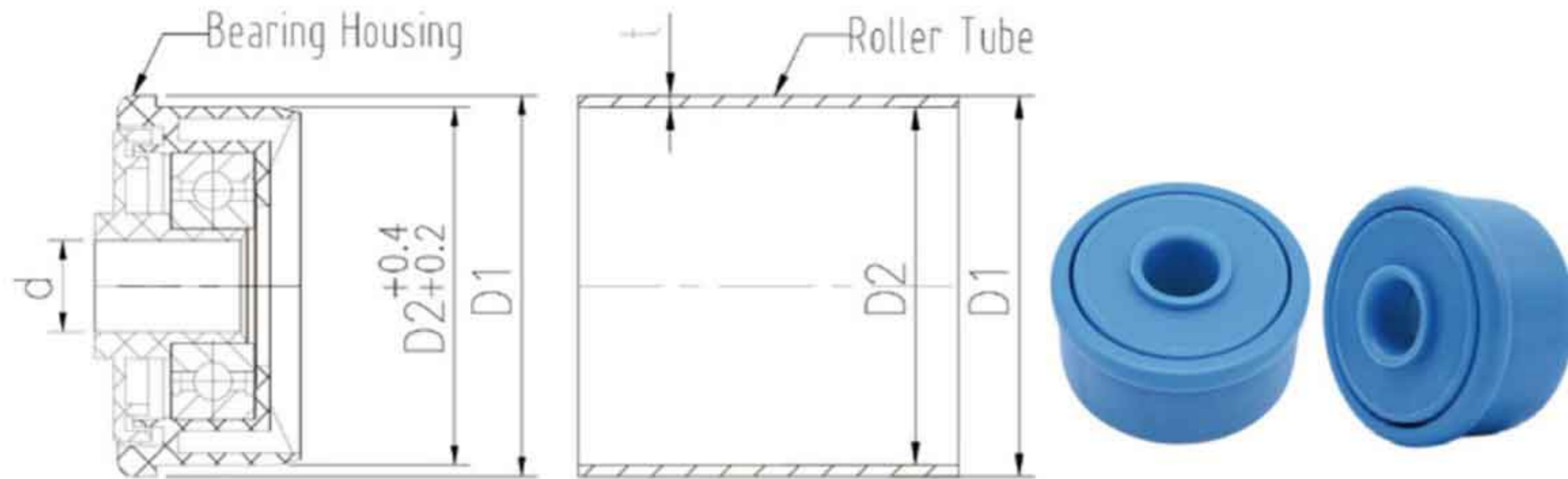
Model	Roller OD	Roller Thk.	Roller ID	Bore Dia.	Bearing No.
	D1/mm	t/mm	D2/mm	d/mm	
PA74	76	2.0	72.0	16	6004
PA75	76	2.0	72.0	18	6005
PA76	76	2.5	71.0	hex11	6002
PA77	76	2.5	71.0	12	6002
PA78	76	2.5	71.0	15	6004
PA79	76	2.5	71.0	16	6804
PA80	76	2.5	71.0	18	6005
PA81	76	3.0	70.0	hex11	6002
PA82	76	3.0	70.0	12	6002
PA83	76	3.0	70.0	15	6004
PA84	76	3.0	70.0	16	6004
PA85	76	3.0	70.0	18	6005
PA86	89	3.0	83.0	20	6205

Model PB: Φ 50mm, Φ 60mm Plastic Roller Bearing Round Edge, Precision Ball Bearing Inside

Model	Roller OD	Roller Thk.	Roller ID	Bore Dia.	Bearing No.
	D1/mm	t/mm	D2/mm	d/mm	
PB01	50	1.2	47.6	hex11	6002
PB02	50	1.2	47.6	12	6002
PB03	50	1.5	47.0	hex11	6002
PB04	50	1.5	47.0	12	6002
PB05	60	1.5	57.0	hex11	6002
PB06	60	1.5	57.0	12	6002
PB07	60	2.0	56.0	hex11	6002
PB08	60	2.0	56.0	12	6002

Link

Plastic Roller Bearing Series



Model PC: Φ 60mm Blue Plastic KTR Roller Bearing Straight Edge, Precision Ball Bearing Inside

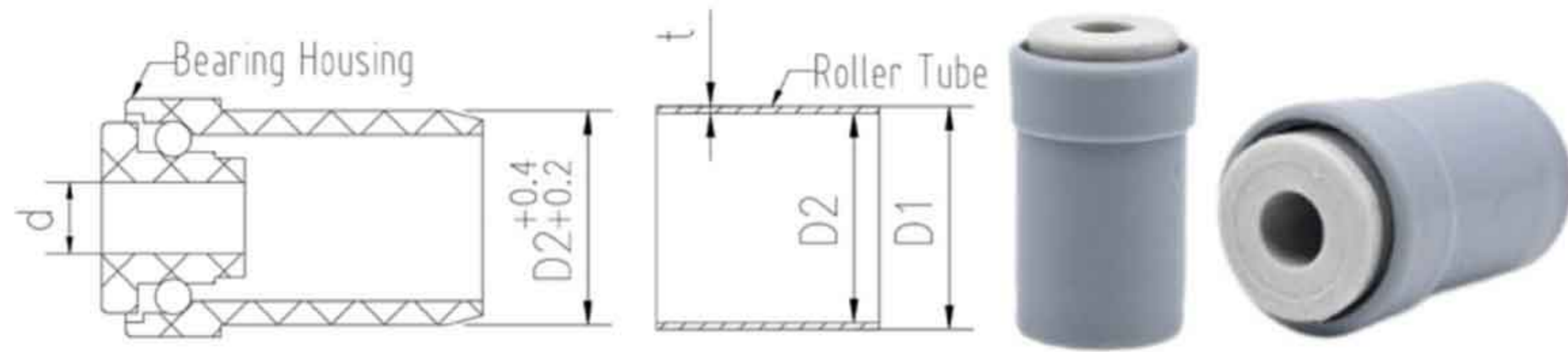
Model	Roller OD	Roller Thk.	Roller ID	Bore Dia.	Bearing No.
	D1/mm	t/mm	D2/mm	d/mm	
PC09	60	1.5	57.0	10.8	6202
PC10	60	1.5	57.0	12	6202
PC11	60	1.5	57.0	14	6202
PC12	60	1.5	57.0	15	6003
PC13	60	2.0	56.0	10.8	6202
PC14	60	2.0	56.0	12	6202
PC15	60	2.0	56.0	14	6202
PC16	60	2.0	56.0	15	6003

Model PC: Φ 50mm Blue Plastic KTR Roller Bearing Straight Edge, Precision Ball Bearing Inside

Model	Roller OD	Roller Thk.	Roller ID	Bore Dia.	Bearing No.
	D1/mm	t/mm	D2/mm	d/mm	
PC01	50	1.5	47.0	10.8	6202
PC02	50	1.5	47.0	12	6202
PC03	50	1.5	47.0	14	6202
PC04	50	1.5	47.0	15	6003
PC05	50	2.8	44.4	10.8	6202
PC06	50	2.8	44.4	12	6202
PC07	50	2.8	44.4	14	6202
PC08	50	2.8	44.4	15	6003

Link

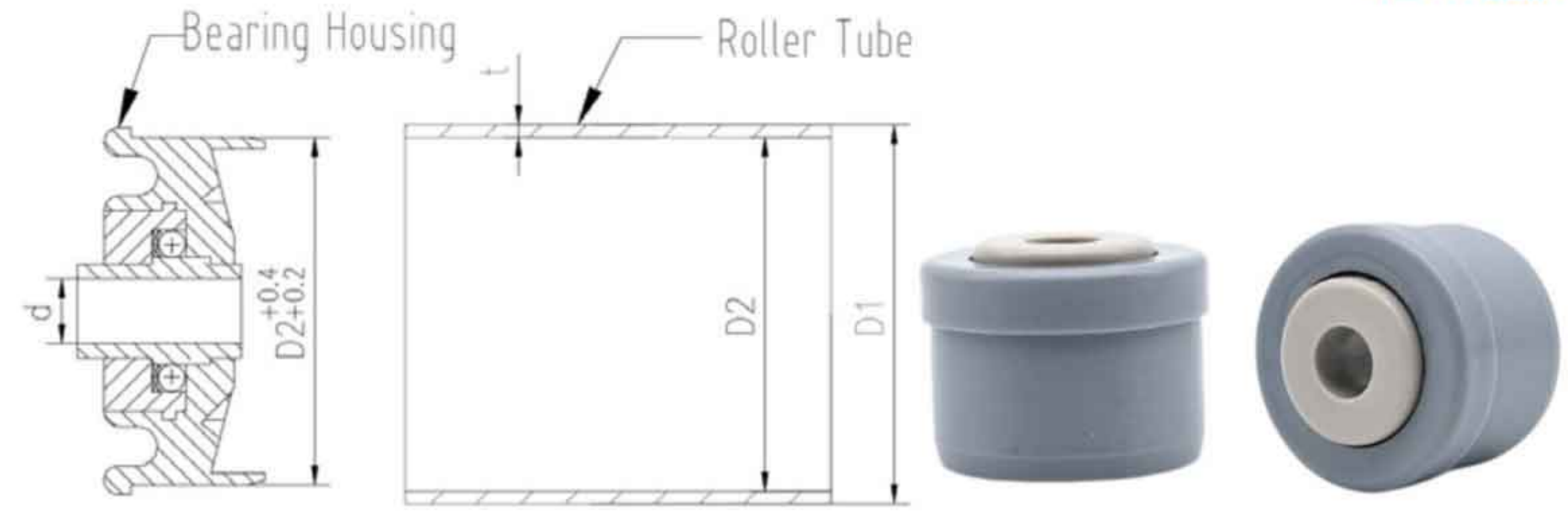
Plastic Roller Bearing Series



Model PD: Φ 16mm, Φ 20mm, Φ 25mm Gray Plastic KTR Roller Bearing Steel Balls Inside, Single Balls Holder

Model	Roller OD	Roller Thk.	Roller ID	Bore Dia.
	D1/mm	t/mm	D2/mm	d/mm
PD01	16	1.0	14.0	6
PD02	20	1.0	18.0	6
PD03	20	1.0	18.0	8
PD04	20	1.5	17.0	6
PD05	20	1.5	17.0	8
PD06	25	1.5	22.0	8

Carbon steel balls and stainless steel balls are available for choice.



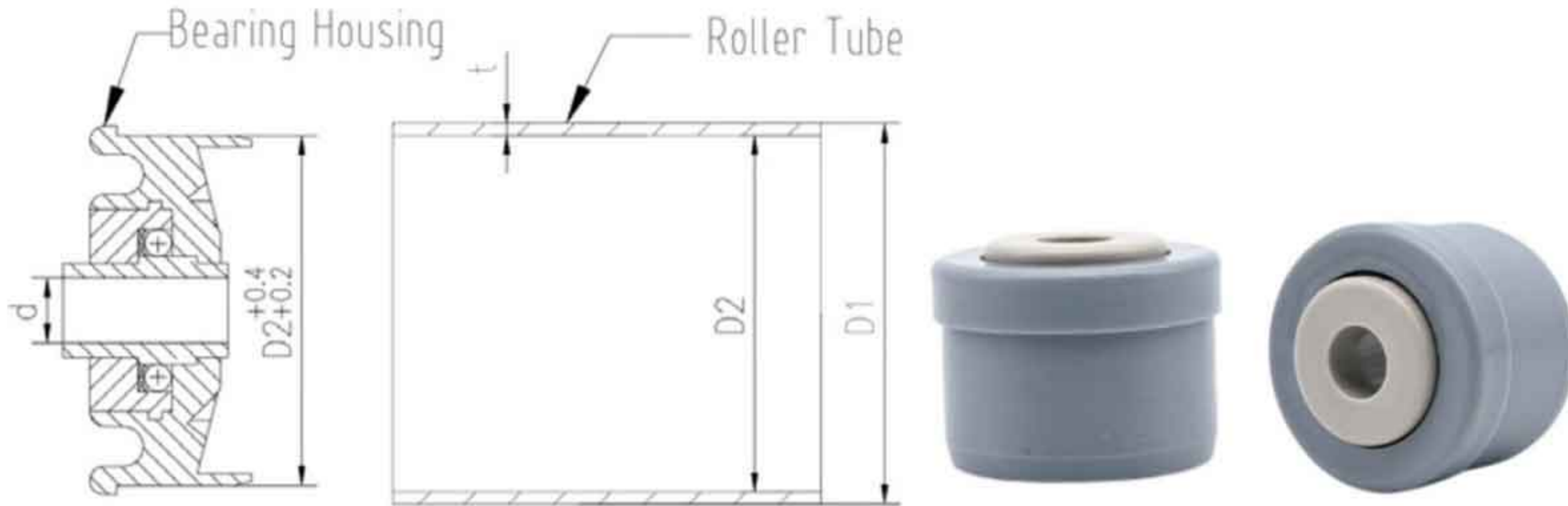
Model PD: Φ 30 mm, Φ 38 mm Gray Plastic KTR Roller Bearing Steel Balls Inside, Single Balls Holder

Model	Roller OD	Roller Thk.	Roller ID	Bore Dia.
	D1/mm	t/mm	D2/mm	d/mm
PD07	30	1.5	27.0	8
PD08	30	1.5	27.0	10
PD09	30	1.5	27.0	12
PD10	30	1.8	26.4	8
PD11	30	1.8	26.4	10
PD12	30	1.8	26.4	12
PD13	38	1.2	35.6	8
PD14	38	1.2	35.6	10
PD15	38	1.2	35.6	12
PD16	38	1.5	35.0	8
PD17	38	1.5	35.0	10
PD18	38	1.5	35.0	12

Carbon steel balls and stainless steel balls are available for choice.

Link

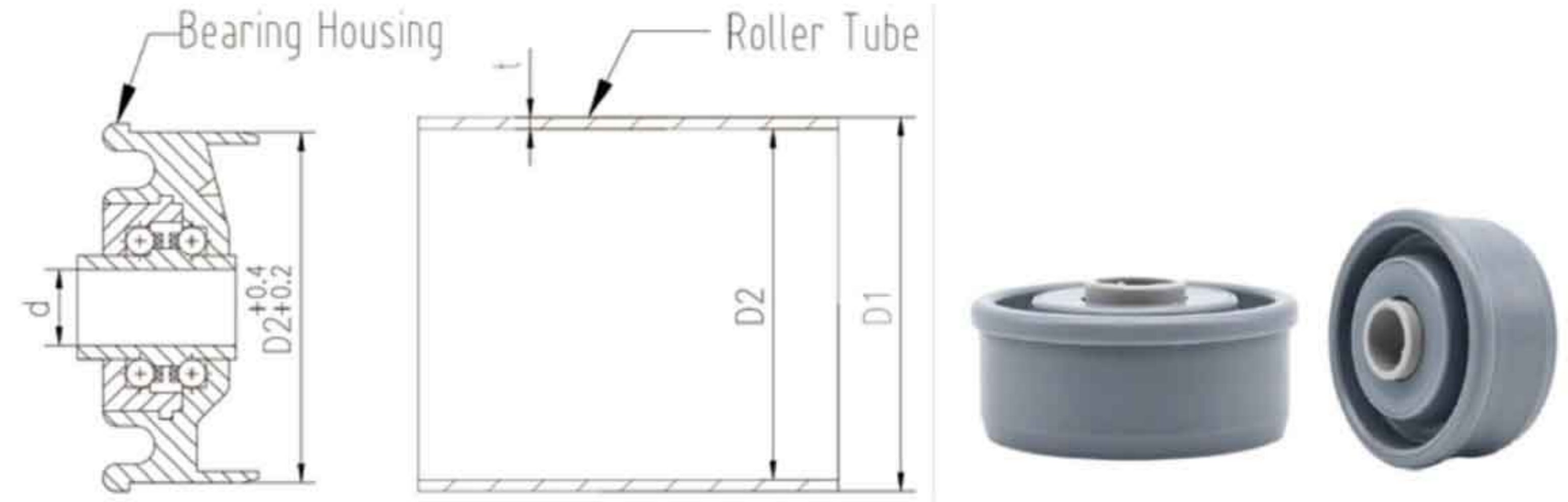
Plastic Roller Bearing Series



Model PD: Φ 40 mm Gray Plastic KTR Roller Bearing
Steel Balls Inside, Single Balls Holder

Model	Roller OD	Roller Thk.	Roller ID	Bore Dia.
	D1/mm	t/mm	D2/mm	d/mm
PD19	40	1.5	37.0	8
PD20	40	1.5	37.0	10
PD21	40	1.5	37.0	12
PD22	40	2.3	35.4	8
PD23	40	2.3	35.4	10
PD24	40	2.3	35.4	12

Carbon steel balls and stainless steel balls are available for choice.

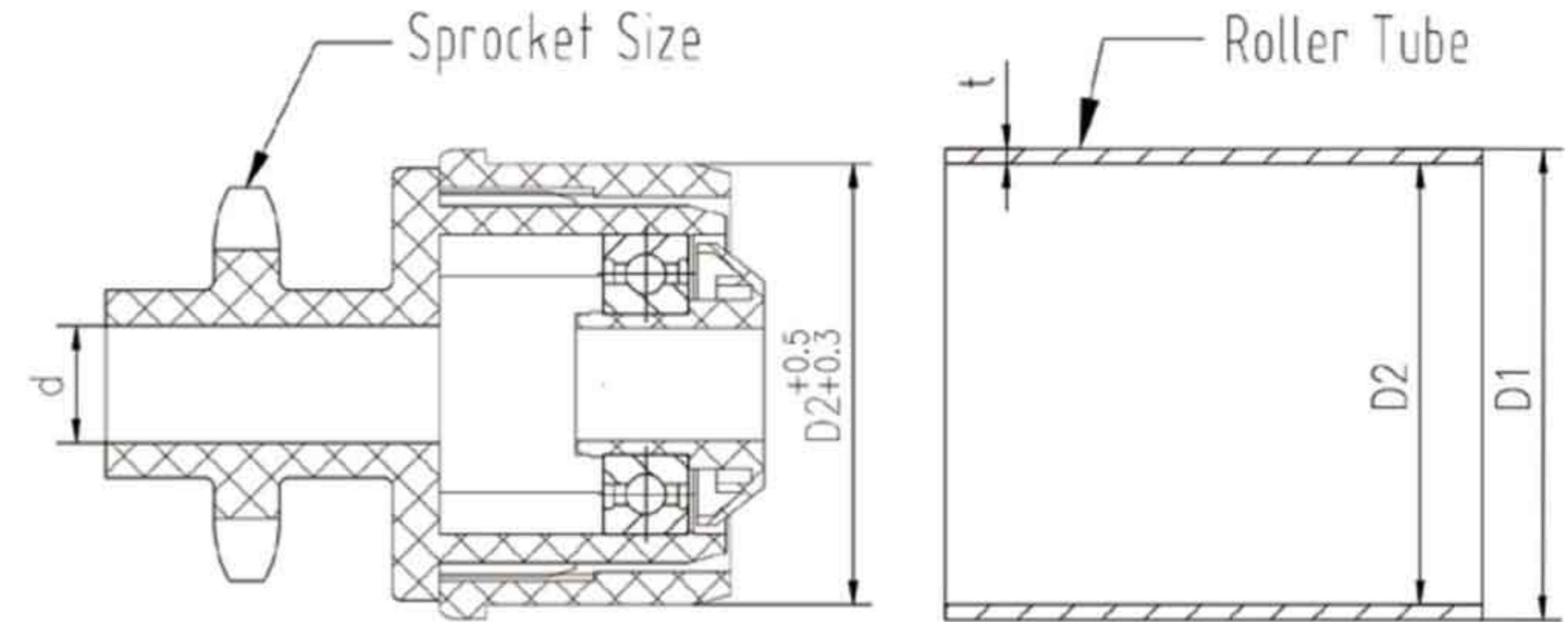
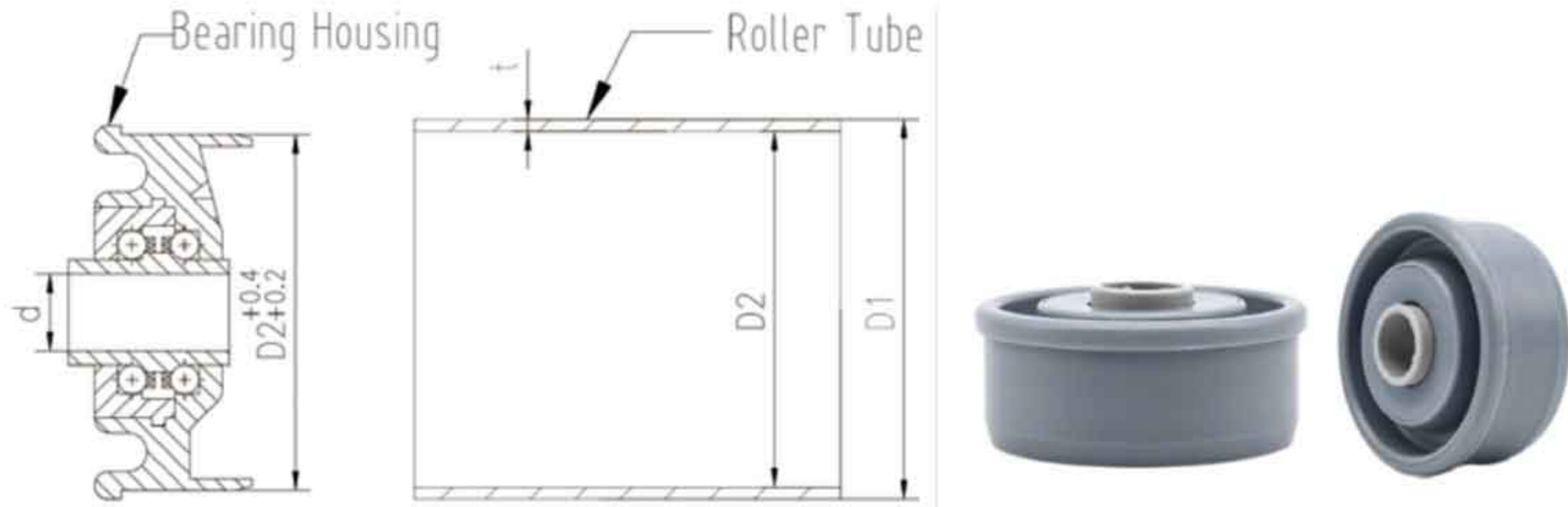


Model PD: Φ 50 mm Gray Plastic KTR Roller Bearing
Steel Balls Inside, Double Balls Holder

Model	Roller OD	Roller Thk.	Roller ID	Bore Dia.
	D1/mm	t/mm	D2/mm	d/mm
PD25	50	1.2	47.6	8
PD26	50	1.2	47.6	10
PD27	50	1.2	47.6	12
PD28	50	1.5	47.0	8
PD29	50	1.5	47.0	10
PD30	50	1.5	47.0	12
PD31	50	2.8	44.4	8
PD32	50	2.8	44.4	10
PD33	50	2.8	44.4	12

Carbon steel balls and stainless steel balls are available for choice.

Plastic Roller Bearing Series



Model PD: $\Phi 60$ mm Gray Plastic KTR Roller Bearing Steel Balls Inside, Double Balls Holder

Model	Roller OD	Roller Thk.	Roller ID	Bore Dia.
	D1/mm	t/mm	D2/mm	d/mm
PD34	60	1.5	57.0	8
PD35	60	1.5	57.0	10
PD36	60	1.5	57.0	12
PD37	60	2.0	56.0	8
PD38	60	2.0	56.0	10
PD39	60	2.0	56.0	12

Carbon steel balls and stainless steel balls are available for choice.

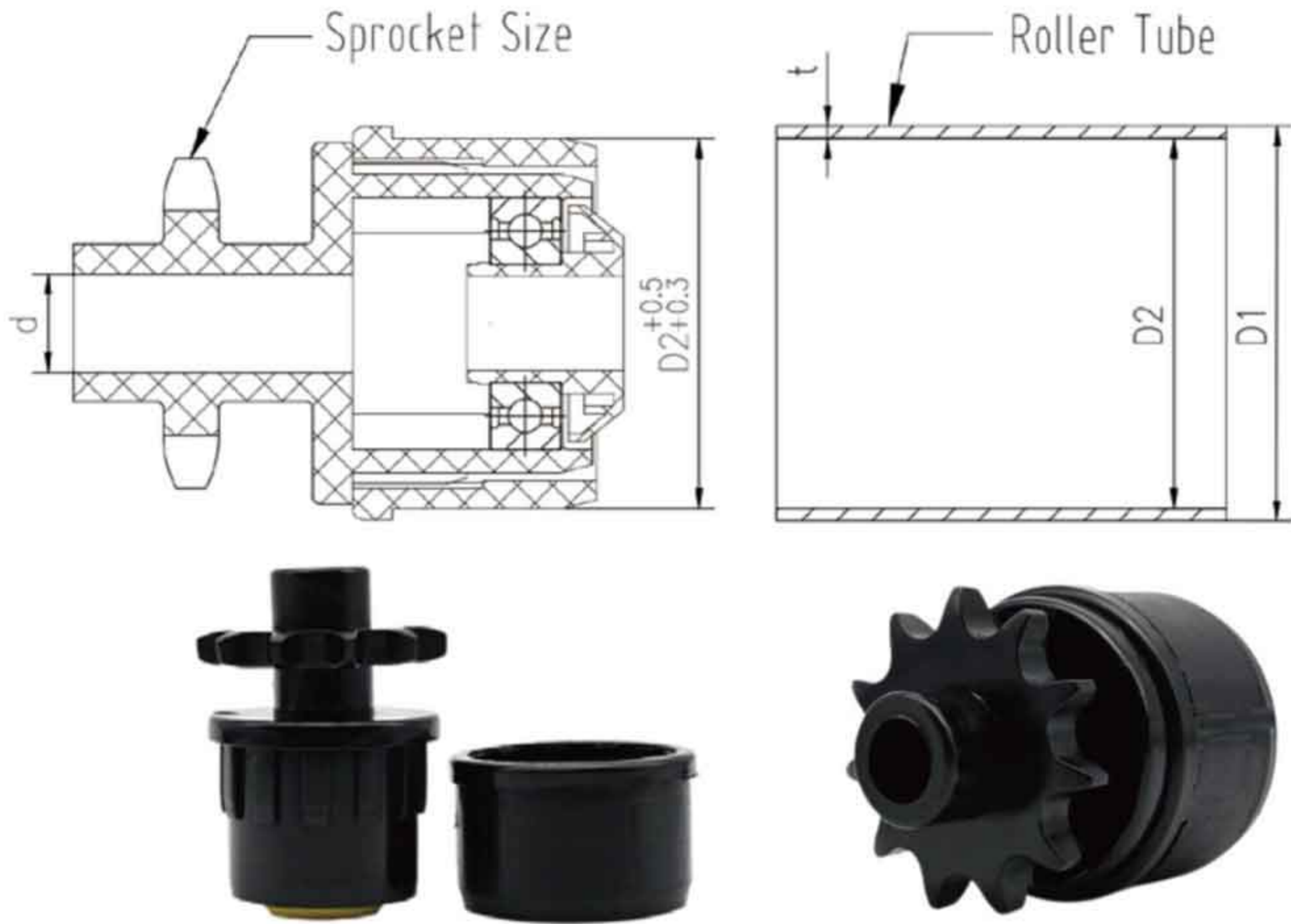


Model PD: Plastic Single Sprocket, $\Phi 50$ mm Separated Bush

Model	Roller OD	Roller Thk.	Roller ID	Bore Dia.	Sprocket
	D1/mm	t/mm	D2/mm	d/mm	
PE01	50	1.2	47.6	hex11	08B10T
PE02	50	1.2	47.6	12	08B10T
PE03	50	1.5	47.0	hex11	08B10T
PE04	50	1.5	47.0	12	08B10T
PE05	50	2.0	46.0	hex11	08B10T
PE06	50	2.0	46.0	12	08B10T
PE07	50	1.2	47.6	hex11	08B11T

Link

Plastic Roller Bearing Series



Model PE: Plastic Single Sprocket, Φ 60mm Separated Bush

Model	Roller OD	Roller Thk.	Roller ID	Bore Dia.	Sprocket
	D1/mm	t/mm	D2/mm	d/mm	
PE13	60	1.2	57.6	hex11	08B10T
PE14	60	1.2	57.6	12	08B10T
PE15	60	1.5	57.0	hex11	08B10T
PE16	60	1.5	57.0	12	08B10T
PE17	60	2.0	56.0	hex11	08B10T
PE18	60	2.0	56.0	12	08B10T
PE19	60	1.2	57.6	hex11	08B11T
PE20	60	1.2	57.6	12	08B11T
PE21	60	1.5	57.0	hex11	08B11T
PE22	60	1.5	57.0	12	08B11T
PE23	60	2.0	56.0	hex11	08B11T
PE24	60	2.0	56.0	12	08B11T

Model PE: Plastic Single Sprocket, Φ 50mm Separated Bush

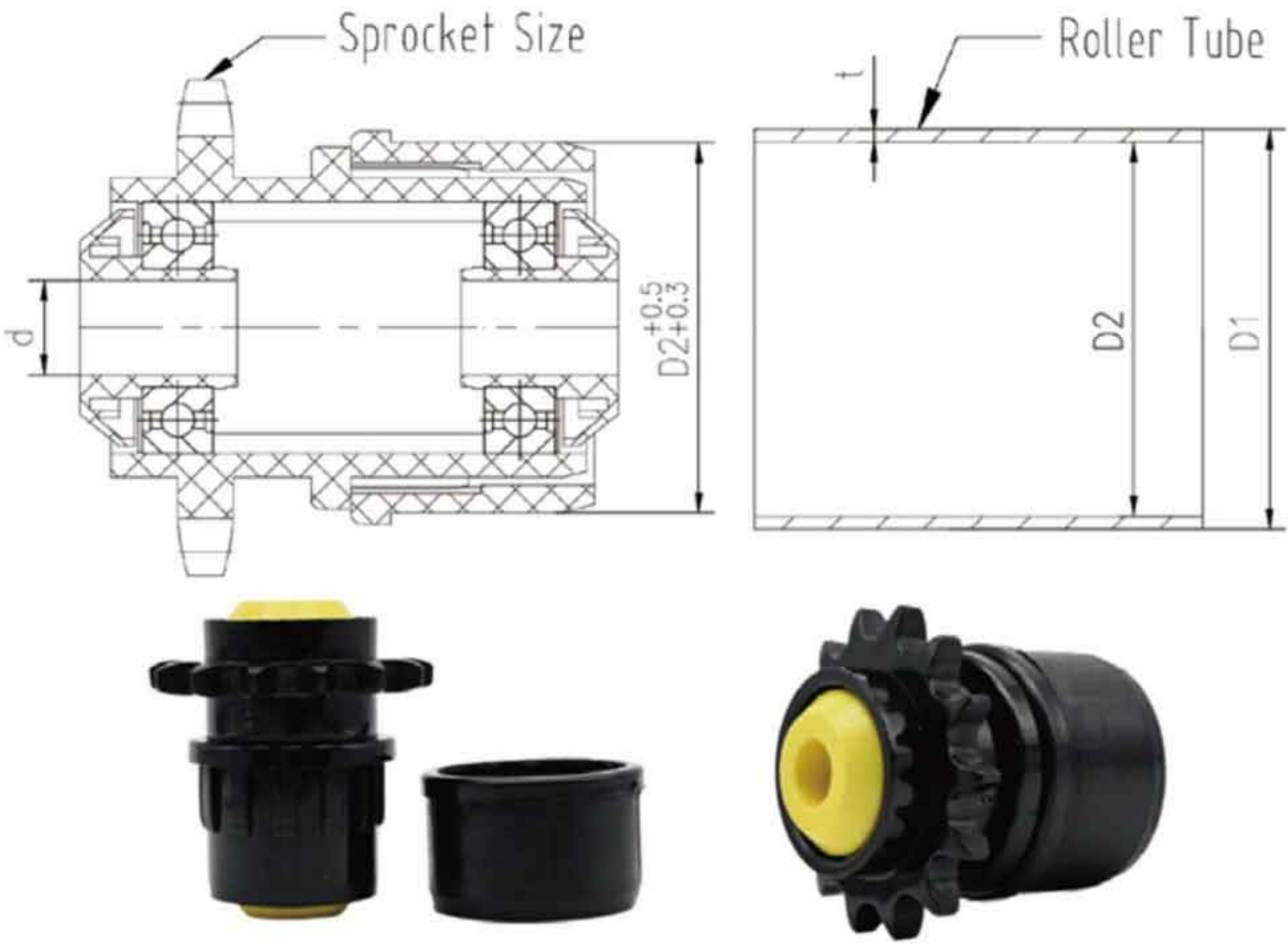
Model	Roller OD	Roller Thk.	Roller ID	Bore Dia.	Sprocket
	D1/mm	t/mm	D2/mm	d/mm	
PE08	50	1.2	47.6	12	08B11T
PE09	50	1.5	47.0	hex11	08B11T
PE10	50	1.5	47.0	12	08B11T
PE11	50	2.0	46.0	hex11	08B11T
PE12	50	2.0	46.0	12	08B11T

Link

Plastic Roller Bearing Series



SZ ROLLER



Model PF: Plastic Single Sprocket, $\Phi 50\text{mm}$, $\Phi 60\text{mm}$ Separated Bush

Model	Roller OD	Roller Thk.	Roller ID	Bore Dia.	Sprocket
	D1/mm	t/mm	D2/mm	d/mm	
PF10	50	1.5	47.0	hex11	08B14T
PF11	50	1.5	47.0	12	08B14T
PF12	50	1.5	47.0	15	08B14T
PF13	50	2.0	46.0	hex11	08B14T
PF14	50	2.0	46.0	12	08B14T
PF15	50	2.0	46.0	15	08B14T
PF16	60	1.2	57.6	hex11	08B11T
PF17	60	1.2	57.6	12	08B11T
PF18	60	1.5	57.0	hex11	08B11T
PF19	60	1.5	57.0	12	08B11T
PF20	60	2.0	56.0	hex11	08B11T
PF21	60	2.0	56.0	12	08B11T
PF22	60	1.2	57.6	hex11	08B14T
PF23	60	1.2	57.6	12	08B14T
PF24	60	1.2	57.6	15	08B14T
PF25	60	1.5	57.0	hex11	08B14T
PF26	60	1.5	57.0	12	08B14T
PF27	60	1.5	57.0	15	08B14T
PF28	60	2.0	56.0	hex11	08B14T
PF29	60	2.0	56.0	12	08B14T
PF30	60	2.0	56.0	15	08B14T

Model PF: Plastic Single Sprocket, $\Phi 50\text{mm}$ Separated Bush

Model	Roller OD	Roller Thk.	Roller ID	Bore Dia.	Sprocket
	D1/mm	t/mm	D2/mm	d/mm	
PF01	50	1.2	47.6	hex11	08B11T
PF02	50	1.2	47.6	12	08B11T
PF03	50	1.5	47.0	hex11	08B11T
PF04	50	1.5	47.0	12	08B11T
PF05	50	2.0	46.0	hex11	08B11T
PF06	50	2.0	46.0	12	08B11T
PF07	50	1.2	47.6	hex11	08B14T
PF08	50	1.2	47.6	12	08B14T
PF09	50	1.2	47.6	15	08B14T

Link

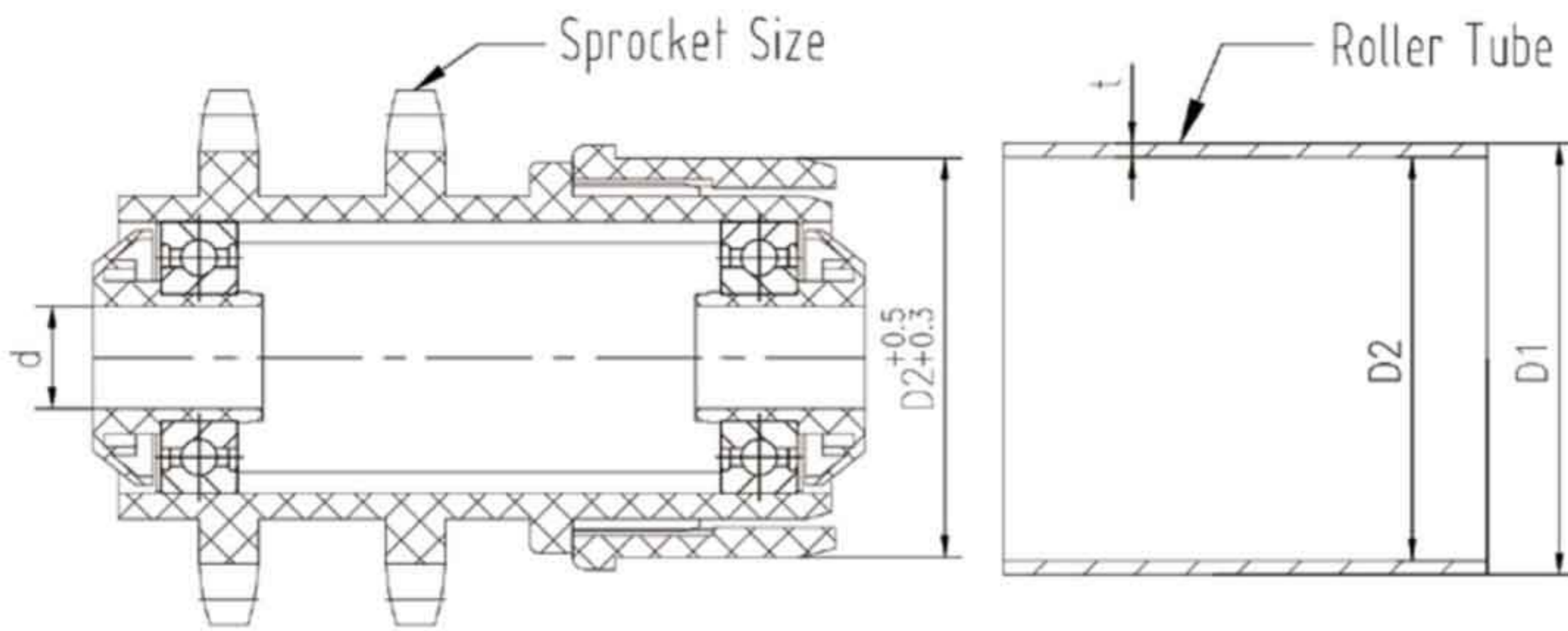
[56|Roller|Bearing|Components](#)

PS- $\Phi 25$	PS- $\Phi 32$	PS- $\Phi 35$	PS- $\Phi 38$	PS- $\Phi 40$	PS- $\Phi 42$	PS- $\Phi 45$	PS- $\Phi 48$	PS- $\Phi 50$	PS- $\Phi 51$	PS- $\Phi 57$	PS- $\Phi 60$	PS- $\Phi 63$	PS- $\Phi 70$	PS- $\Phi 76$	PS- $\Phi 80$	PS- $\Phi 89$	PS- $\Phi 102$	PS- $\Phi 108$	PA- $\Phi 25$	PA- $\Phi 32$	PA- $\Phi 38$	PA- $\Phi 42$	PA- $\Phi 50$	PA- $\Phi 50.6$	PA- $\Phi 50.8$	PA- $\Phi 57$	PA- $\Phi 60$
PA- $\Phi 63$	PA- $\Phi 76$	PA- $\Phi 89$	PB- $\Phi 50$	PB- $\Phi 60$	PC- $\Phi 50$	PC- $\Phi 60$	PD- $\Phi 16$	PD- $\Phi 20$	PD- $\Phi 25$	PD- $\Phi 30$	PD- $\Phi 38$	PD- $\Phi 40$	PD- $\Phi 50$	PD- $\Phi 60$	PE- $\Phi 50$	PE- $\Phi 60$	PF- $\Phi 50$	PF- $\Phi 60$	PG- $\Phi 50$	PG- $\Phi 60$	PH- $\Phi 50$	PH- $\Phi 60$	PJ- $\Phi 50$	PK- $\Phi 50$	PM- $\Phi 50$	PM- $\Phi 60$	

Plastic Roller Bearing Series



SZ ROLLER



Model PF: Plastic Double Sprocket, $\Phi 50\text{mm}$, $\Phi 60\text{mm}$ Separated Bush

Model	Roller OD	Roller Thk.	Roller ID	Bore Dia.	Sprocket
	D1/mm	t/mm	D2/mm	d/mm	
PG10	50	1.5	47.0	hex11	08B14T
PG11	50	1.5	47.0	12	08B14T
PG12	50	1.5	47.0	15	08B14T
PG13	50	2.0	46.0	hex11	08B14T
PG14	50	2.0	46.0	12	08B14T
PG15	50	2.0	46.0	15	08B14T
PG16	60	1.2	57.6	hex11	08B11T
PG17	60	1.2	57.6	12	08B11T
PG18	60	1.5	57.0	hex11	08B11T
PG19	60	1.5	57.0	12	08B11T
PG20	60	2.0	56.0	hex11	08B11T
PG21	60	2.0	56.0	12	08B11T
PG22	60	1.2	57.6	hex11	08B14T
PG23	60	1.2	57.6	12	08B14T
PG24	60	1.2	57.6	15	08B14T
PG25	60	1.5	57.0	hex11	08B14T
PG26	60	1.5	57.0	12	08B14T
PG27	60	1.5	57.0	15	08B14T
PG28	60	2.0	56.0	hex11	08B14T
PG29	60	2.0	56.0	12	08B14T
PG30	60	2.0	56.0	15	08B14T

Model PF: Plastic Double Sprocket, $\Phi 50\text{mm}$ Separated Bush

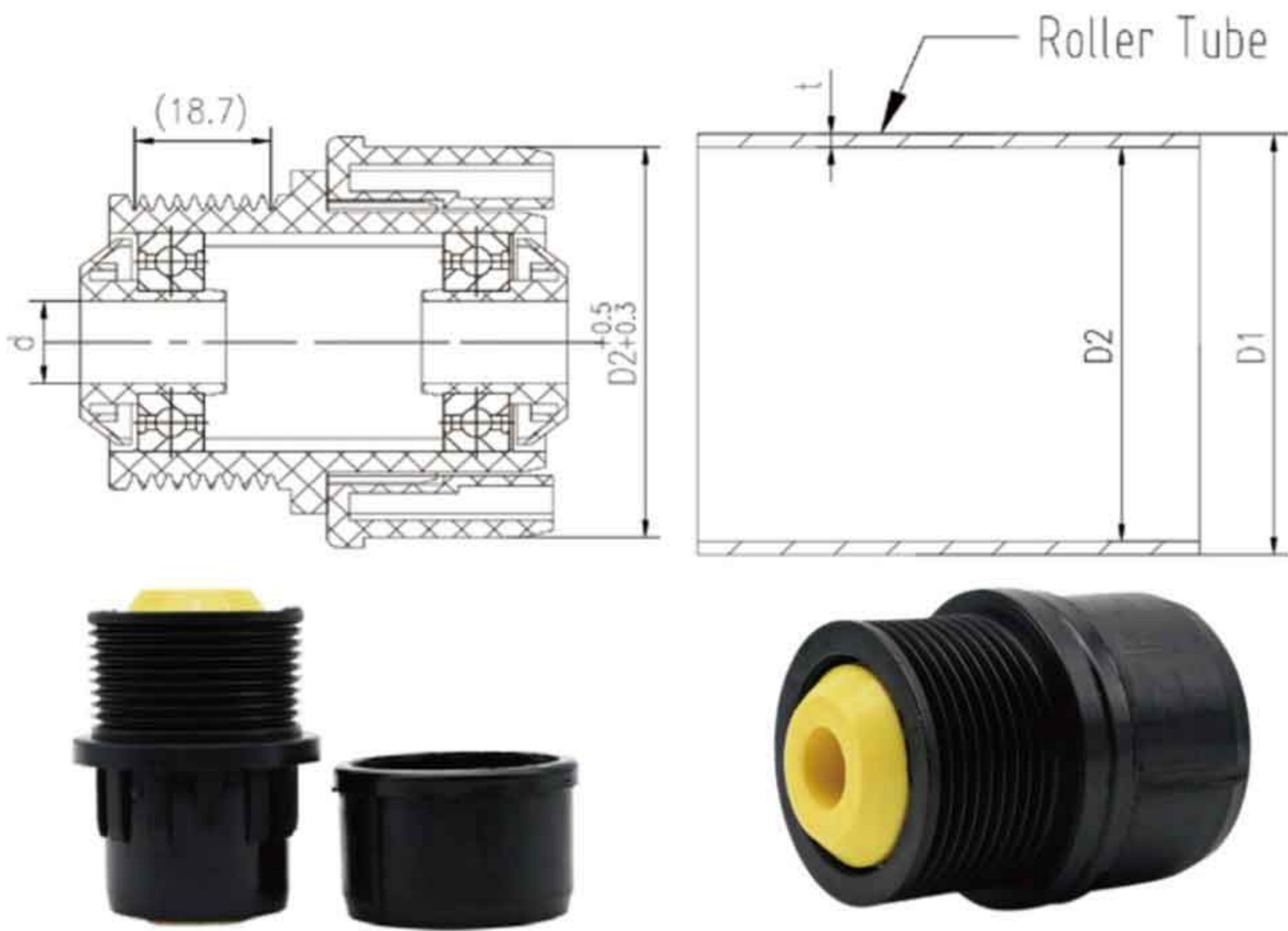
Model	Roller OD	Roller Thk.	Roller ID	Bore Dia.	Sprocket
	D1/mm	t/mm	D2/mm	d/mm	
PG01	50	1.2	47.6	hex11	08B11T
PG02	50	1.2	47.6	12	08B11T
PG03	50	1.5	47.0	hex11	08B11T
PG04	50	1.5	47.0	12	08B11T
PG05	50	2.0	46.0	hex11	08B11T
PG06	50	2.0	46.0	12	08B11T
PG07	50	1.2	47.6	hex11	08B14T
PG08	50	1.2	47.6	12	08B14T
PG09	50	1.2	47.6	15	08B14T

Link

[57|Roller|Bearing|Components](#)

PS- $\Phi 25$	PS- $\Phi 32$	PS- $\Phi 35$	PS- $\Phi 38$	PS- $\Phi 40$	PS- $\Phi 42$	PS- $\Phi 45$	PS- $\Phi 48$	PS- $\Phi 50$	PS- $\Phi 51$	PS- $\Phi 57$	PS- $\Phi 60$	PS- $\Phi 63$	PS- $\Phi 70$	PS- $\Phi 76$	PS- $\Phi 80$	PS- $\Phi 89$	PS- $\Phi 102$	PS- $\Phi 108$	PA- $\Phi 25$	PA- $\Phi 32$	PA- $\Phi 38$	PA- $\Phi 42$	PA- $\Phi 50$	PA- $\Phi 50.6$	PA- $\Phi 50.8$	PA- $\Phi 57$	PA- $\Phi 60$
PA- $\Phi 63$	PA- $\Phi 76$	PA- $\Phi 89$	PB- $\Phi 50$	PB- $\Phi 60$	PC- $\Phi 50$	PC- $\Phi 60$	PD- $\Phi 16$	PD- $\Phi 20$	PD- $\Phi 25$	PD- $\Phi 30$	PD- $\Phi 38$	PD- $\Phi 40$	PD- $\Phi 50$	PD- $\Phi 60$	PE- $\Phi 50$	PE- $\Phi 60$	PF- $\Phi 50$	PF- $\Phi 60$	PG- $\Phi 50$	PG- $\Phi 60$	PH- $\Phi 50$	PH- $\Phi 60$	PJ- $\Phi 50$	PK- $\Phi 50$	PM- $\Phi 50$	PM- $\Phi 60$	

Plastic Roller Bearing Series



Model PH: Plastic Poly-Vee Pulley, Φ 60mm Separated Bush, PJ9

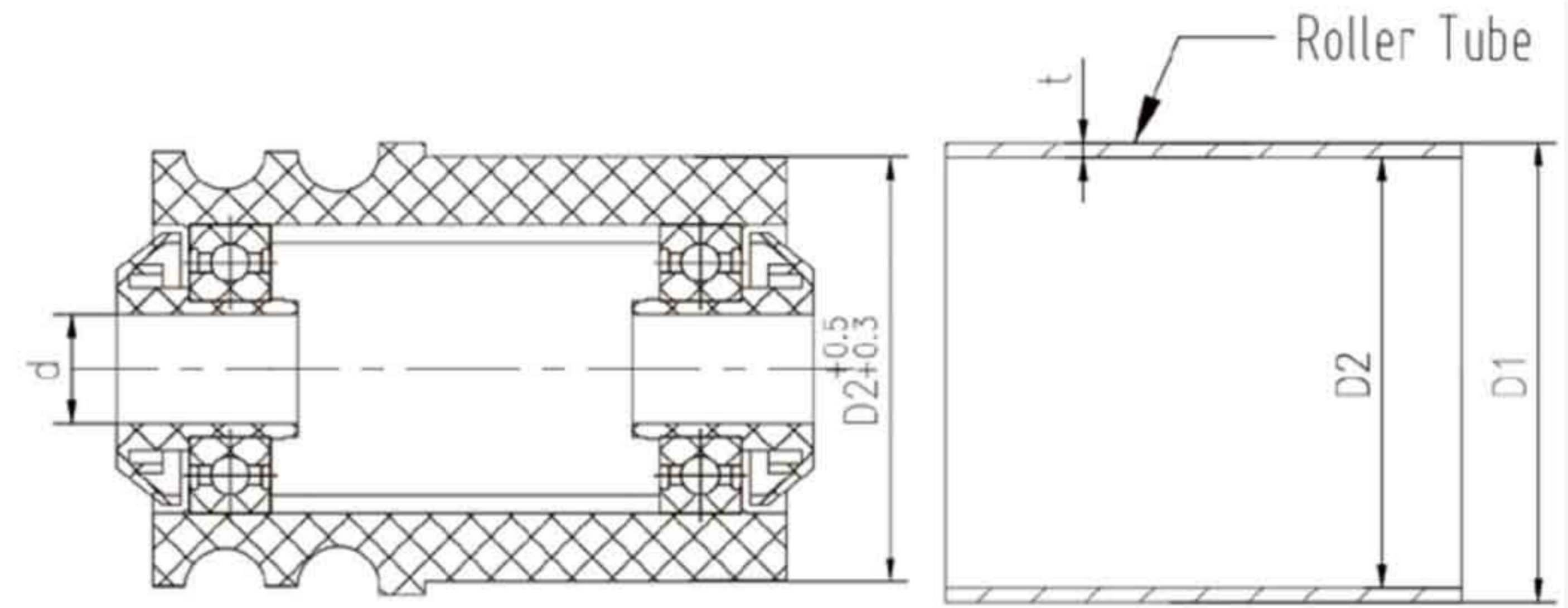
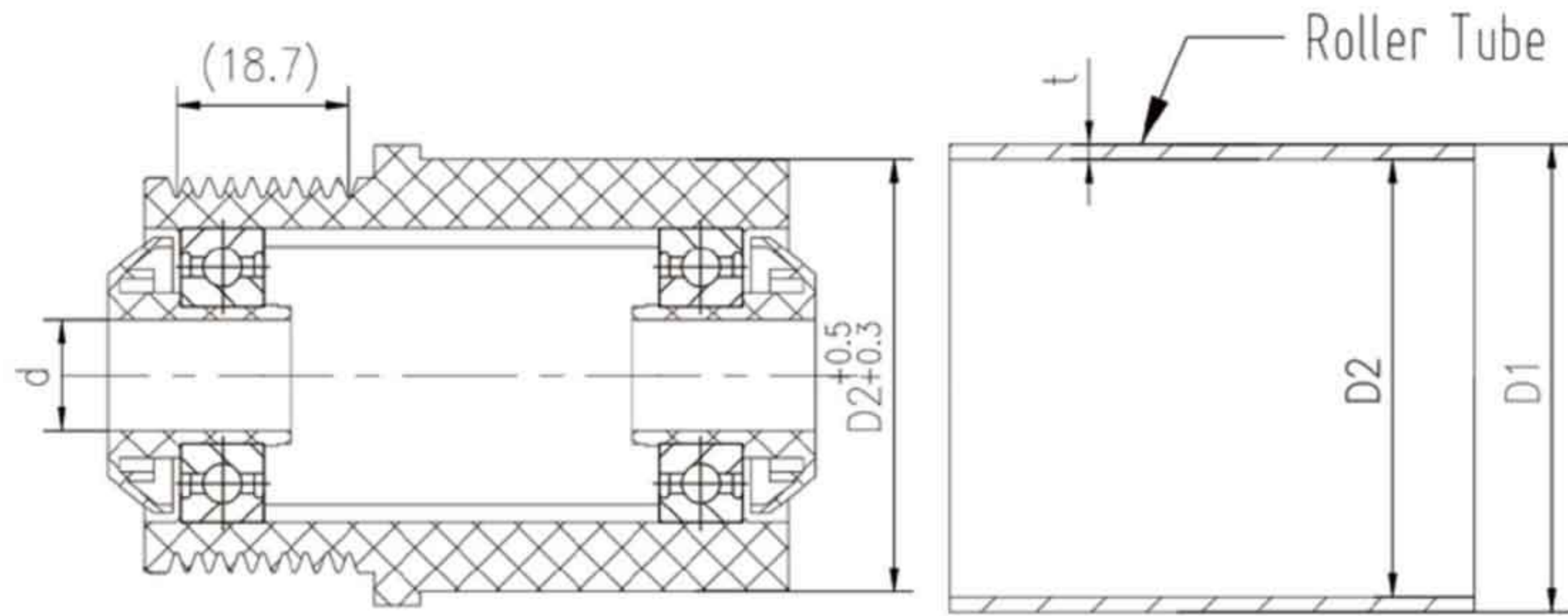
Model	Roller OD	Roller Thk.	Roller ID	Bore Dia.
	D1/mm	t/mm	D2/mm	d/mm
PH10	60	1.2	57.6	hex11
PH11	60	1.2	57.6	12
PH12	60	1.2	57.6	15
PH13	60	1.5	57.0	hex11
PH14	60	1.5	57.0	12
PH15	60	1.5	57.0	15
PH16	60	2.0	56.0	hex11
PH17	60	2.0	56.0	12
PH18	60	2.0	56.0	15

Model PH: Plastic Poly-Vee Pulley, Φ 50mm Separated Bush, PJ9

Model	Roller OD	Roller Thk.	Roller ID	Bore Dia.
	D1/mm	t/mm	D2/mm	d/mm
PH01	50	1.2	47.6	hex11
PH02	50	1.2	47.6	12
PH03	50	1.2	47.6	15
PH04	50	1.5	47.0	hex11
PH05	50	1.5	47.0	12
PH06	50	1.5	47.0	15
PH07	50	2.0	46.0	hex11
PH08	50	2.0	46.0	12
PH09	50	2.0	46.0	15

Link

Plastic Roller Bearing Series



Model PJ: Φ 50mm Plastic Poly-Vee Pulley, PJ9 Grooves

Model	Roller OD	Roller Thk.	Roller ID	Bore Dia.
	D1/mm	t/mm	D2/mm	d/mm
PJ01	50	1.2	47.6	hex11
PJ02	50	1.2	47.6	12
PJ03	50	1.2	47.6	15
PJ04	50	1.5	47.0	hex11
PJ05	50	1.5	47.0	12
PJ06	50	1.5	47.0	15

Model PK: Φ 50mm Plastic Double Grooves Pulley, 5mm PU 0 Belt

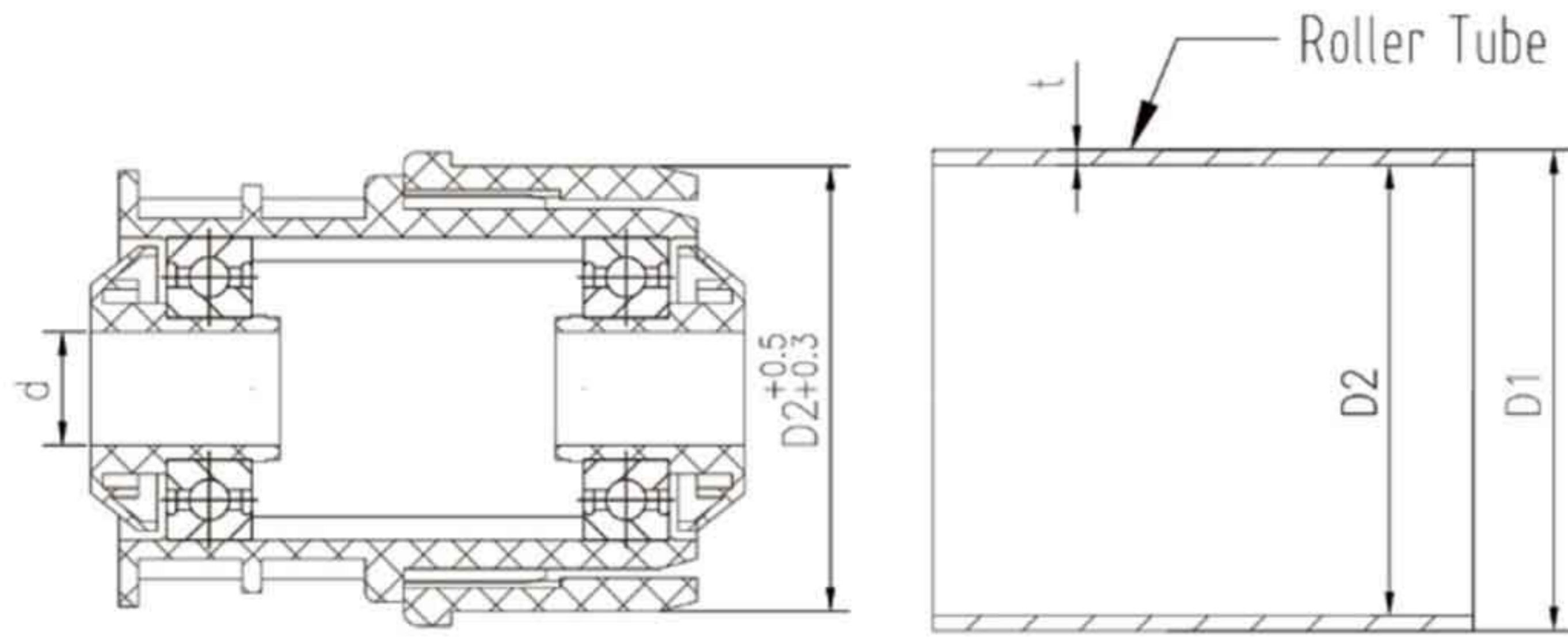
Model	Roller OD	Roller Thk.	Roller ID	Bore Dia.
	D1/mm	t/mm	D2/mm	d/mm
PK01	50	1.2	47.6	hex11
PK02	50	1.2	47.6	12
PK03	50	1.2	47.6	15
PK04	50	1.5	47.0	hex11
PK05	50	1.5	47.0	12
PK06	50	1.5	47.0	15

Link

Plastic Roller Bearing Series



SZ ROLLER



Model PM: Φ 60mm Plastic Timing Belt Pulley, T5x26t-10.12mm width

Model	Roller OD	Roller Thk.	Roller ID	Bore Dia.
	D1/mm	t/mm	D2/mm	d/mm
PM10	60	1.2	57.6	hex11
PM11	60	1.2	57.6	12
PM12	60	1.2	57.6	15
PM13	60	1.5	57.0	hex11
PM14	60	1.5	57.0	12
PM15	60	1.5	57.0	15
PM16	60	2.0	56.0	hex11
PM17	60	2.0	56.0	12
PM18	60	2.0	56.0	15



Model PM: Φ 50mm Plastic Timing Belt Pulley, T5x26t-10.12mm width

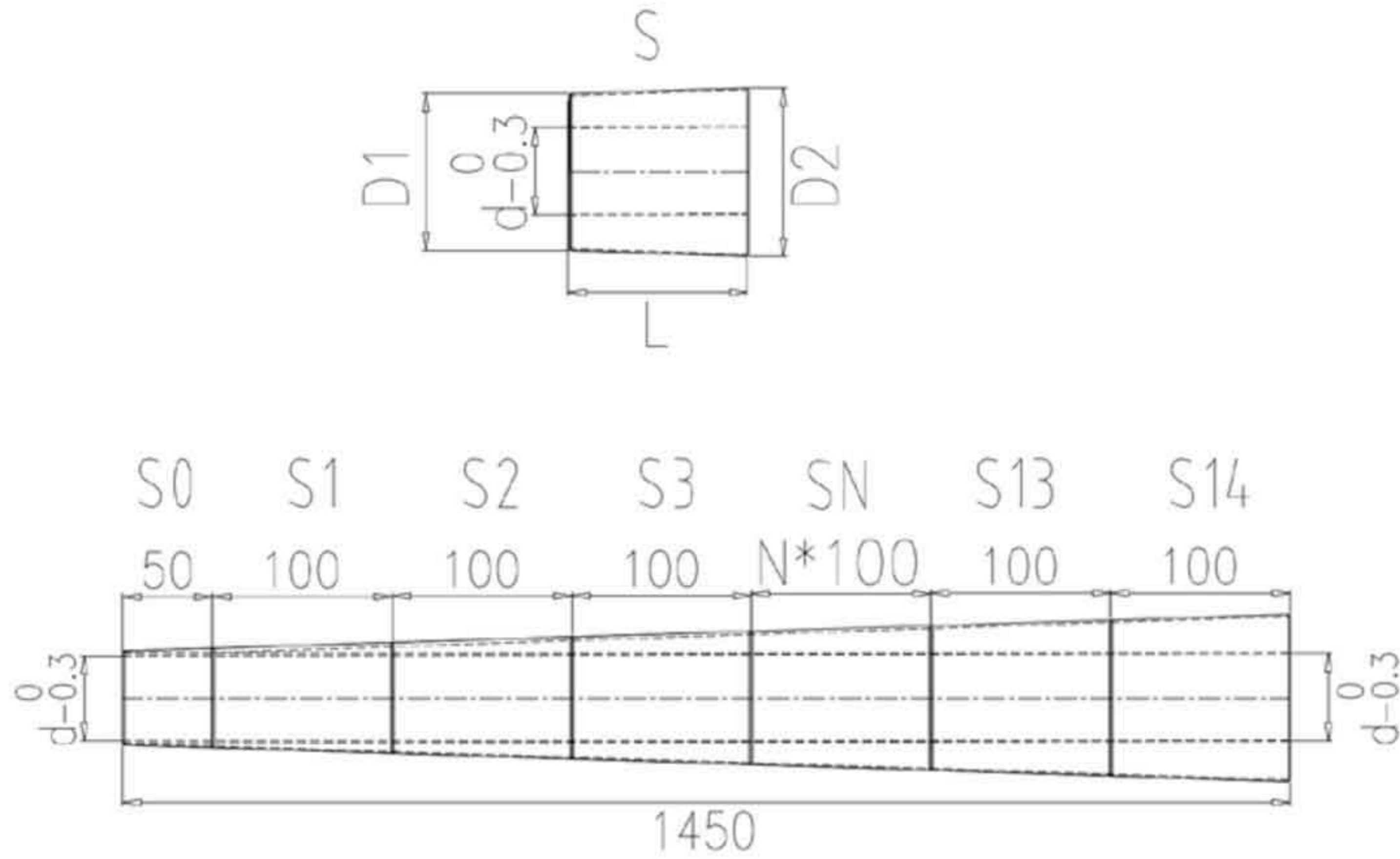
Model	Roller OD	Roller Thk.	Roller ID	Bore Dia.
	D1/mm	t/mm	D2/mm	d/mm
PM01	50	1.2	47.6	hex11
PM02	50	1.2	47.6	12
PM03	50	1.2	47.6	15
PM04	50	1.5	47.0	hex11
PM05	50	1.5	47.0	12
PM06	50	1.5	47.0	15
PM07	50	2.0	46.0	hex11
PM08	50	2.0	46.0	12
PM09	50	2.0	46.0	15

Link

[60|Roller|Bearing|Components](#)

PS- Φ 25	PS- Φ 32	PS- Φ 35	PS- Φ 38	PS- Φ 40	PS- Φ 42	PS- Φ 45	PS- Φ 48	PS- Φ 50	PS- Φ 51	PS- Φ 57	PS- Φ 60	PS- Φ 63	PS- Φ 70	PS- Φ 76	PS- Φ 80	PS- Φ 89	PS- Φ 102	PS- Φ 108	PA- Φ 25	PA- Φ 32	PA- Φ 38	PA- Φ 42	PA- Φ 50	PA- Φ 50.6	PA- Φ 50.8	PA- Φ 57	PA- Φ 60
PA- Φ 63	PA- Φ 76	PA- Φ 89	PB- Φ 50	PB- Φ 60	PC- Φ 50	PC- Φ 60	PD- Φ 16	PD- Φ 20	PD- Φ 25	PD- Φ 30	PD- Φ 38	PD- Φ 40	PD- Φ 50	PD- Φ 60	PE- Φ 50	PE- Φ 60	PF- Φ 50	PF- Φ 60	PG- Φ 50	PG- Φ 60	PH- Φ 50	PH- Φ 60	PJ- Φ 50	PK- Φ 50	PM- Φ 50	PM- Φ 60	

Plastic Tapered Sleeve Series

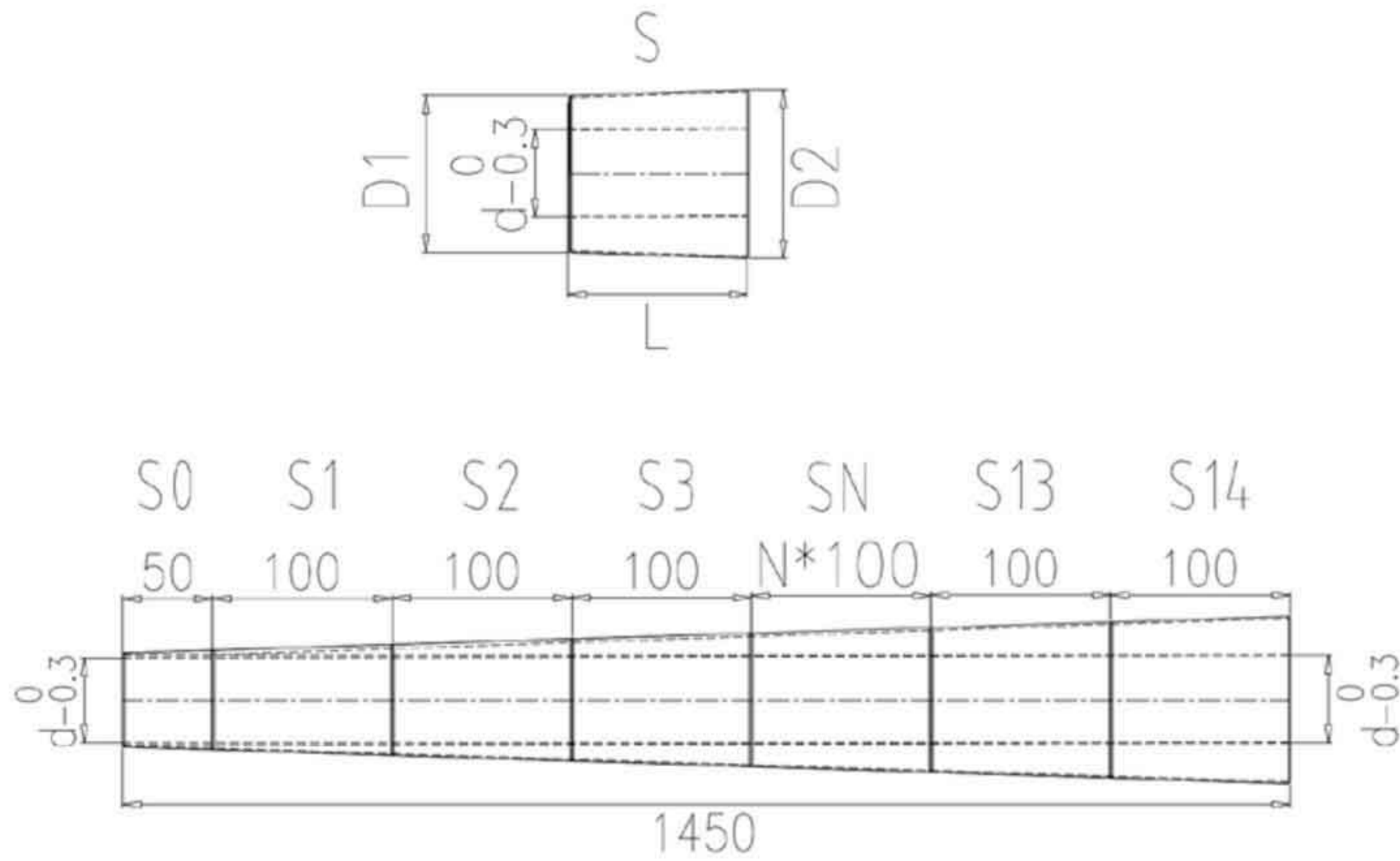


Model PU: Plastic Tapered Sleeve, $\Phi 50$ mm, Without Locker

Model	Length	Min Dia.	Max Dia.	Bore Dia.
	L/mm	D1/mm	D2/mm	d/mm
PU0	50	53.1	55.9	50
PU1	100	56.2	62.8	50
PU2	100	62.9	69.1	50
PU3	100	69.2	74.4	50
PU4	100	74.5	80.8	50
PU5	100	81.1	87.1	50
PU6	100	87.3	93.7	50
PU7	100	93.9	100.0	50
PU8	100	100.2	106.3	50
PU9	100	106.5	112.6	50
PU10	100	112.8	118.3	50
PU11	100	118.5	124.7	50
PU12	100	124.9	131.1	50
PU13	100	131.3	137.5	50
PU14	100	137.7	143.9	50



Link



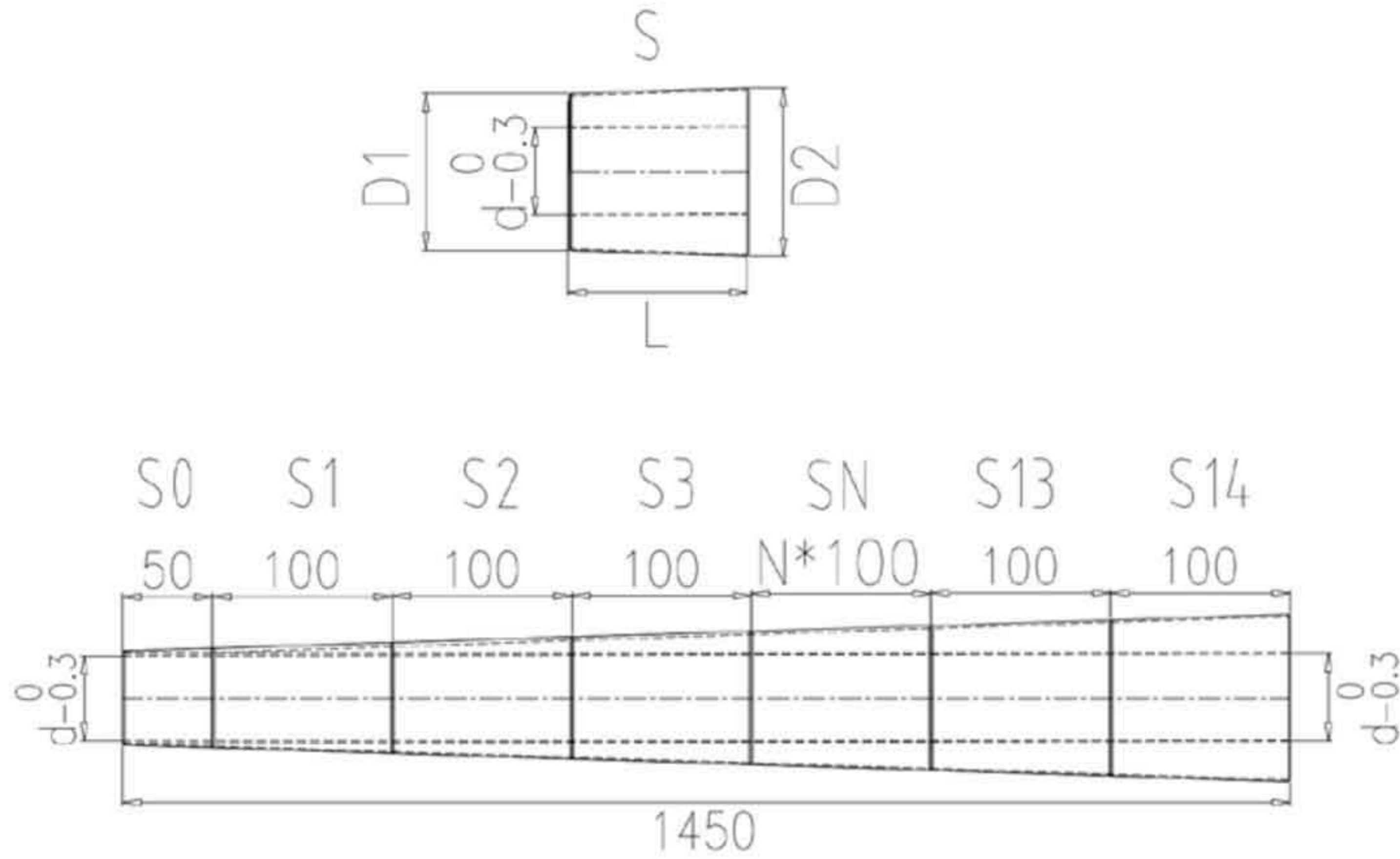
Model PV: Plastic Tapered Sleeve, $\Phi 50.8$ mm, Without Locker

Model	Length	Min Dia.	Max Dia.	Bore Dia.
	L/mm	D1/mm	D2/mm	d/mm
PV0	50	53.1	55.9	50.8
PV1	100	56.2	62.8	50.8
PV2	100	62.9	69.1	50.8
PV3	100	69.2	74.4	50.8
PV4	100	74.5	80.8	50.8
PV5	100	81.1	87.1	50.8
PV6	100	87.3	93.7	50.8
PV7	100	93.9	100.0	50.8
PV8	100	100.2	106.3	50.8
PV9	100	106.5	112.6	50.8
PV10	100	112.8	118.3	50.8
PV11	100	118.5	124.7	50.8
PV12	100	124.9	131.1	50.8
PV13	100	131.3	137.5	50.8
PV14	100	137.7	143.9	50.8



Link

Plastic Tapered Sleeve Series



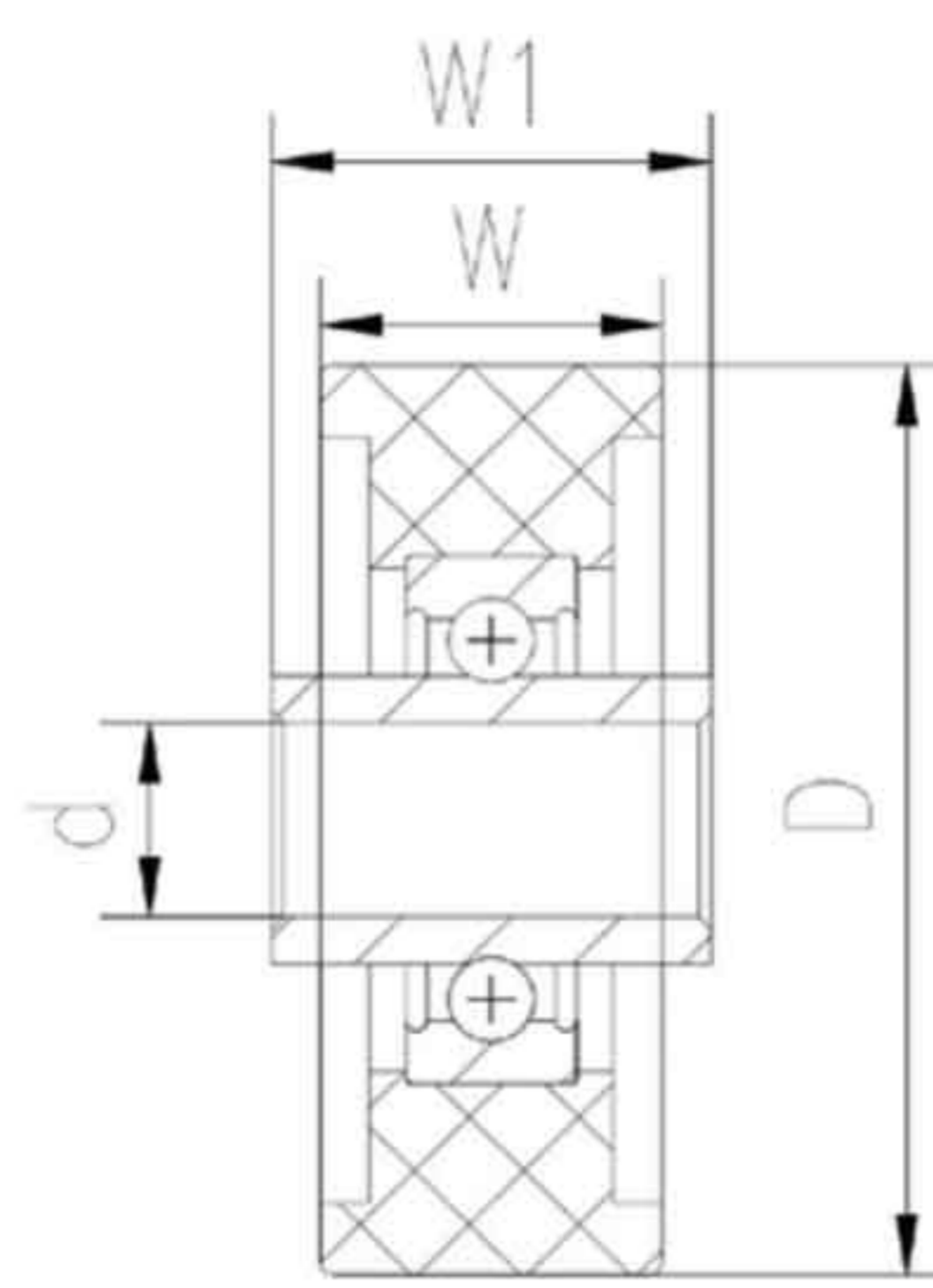
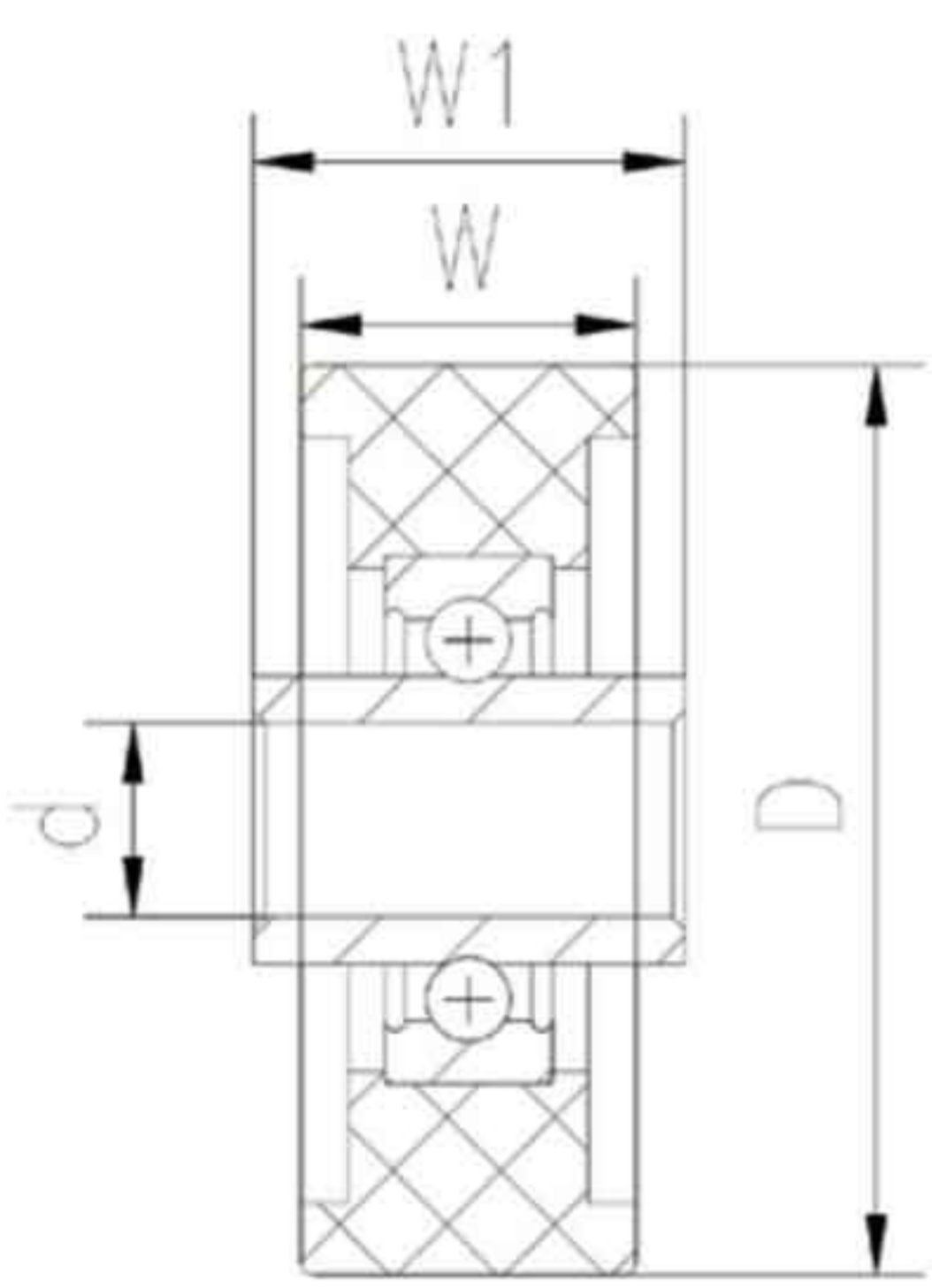
Model PW: Plastic Tapered Sleeve, $\Phi 50$ mm, With Locker

Model	Length	Min Dia.	Max Dia.	Bore Dia.
	L/mm	D1/mm	D2/mm	d/mm
PW0	50	53.1	55.9	50
PW1	100	56.2	62.8	50
PW2	100	62.9	69.1	50
PW3	100	69.2	74.4	50
PW4	100	74.5	80.8	50
PW5	100	81.1	87.1	50
PW6	100	87.3	93.7	50
PW7	100	93.9	100.0	50
PW8	100	100.2	106.3	50
PW9	100	106.5	112.6	50
PW10	100	112.8	118.3	50



Link

Plastic Skate Wheel Series



Model PT: Plastic Skate Wheel, Flat Side

Model	Wheel OD	Bore Dia.	Wheel Width	Bore Width
	D/mm	d/mm	W/mm	W1/mm
PT1	38	8	14	18
PT2	38	8	14	29
PT3	48	8	14	18

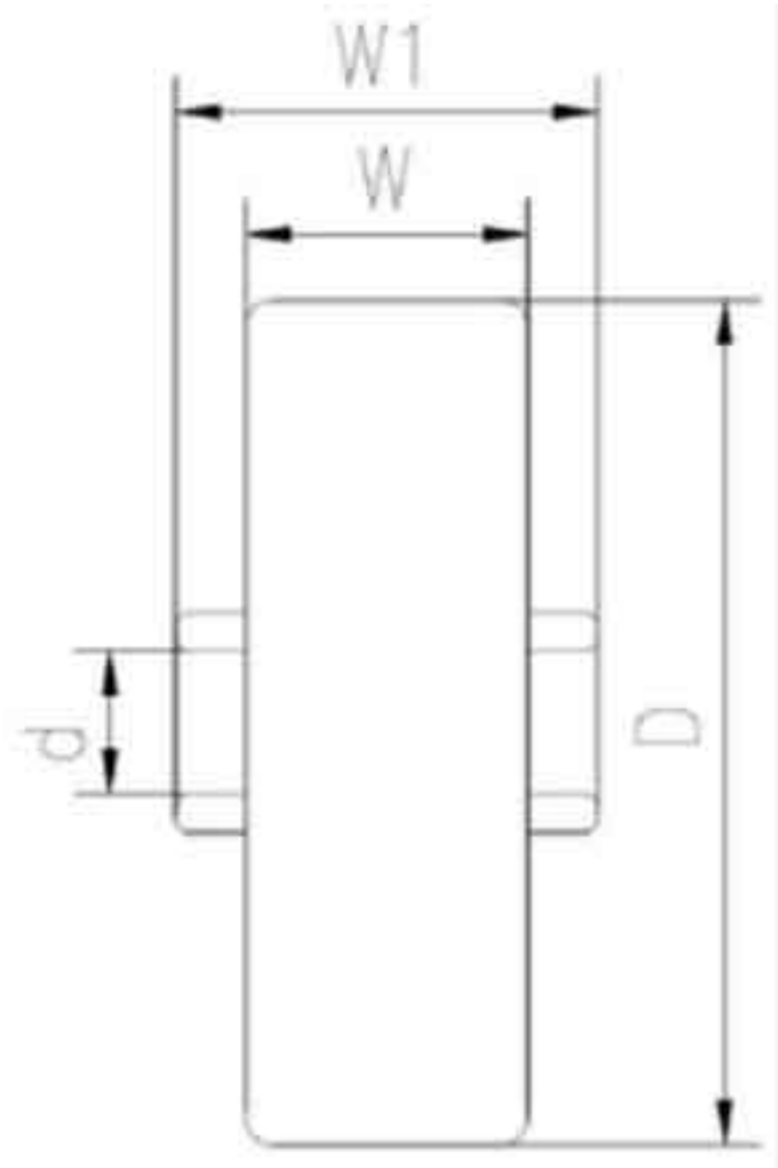
Model PT: Plastic Skate Wheel, Ribbed Side

Model	Wheel OD	Bore Dia.	Wheel Width	Bore Width
	D/mm	d/mm	W/mm	W1/mm
PT4	48	8	16	18
PT5	48	8	16	50
PT6	48	8	22	21

64|Roller|Bearing|Components [Link](#)

PU-Φ50	PV-Φ50.8	PW-Φ50	PT-Φ38	PT-Φ48	PX-Φ38	PX-Φ49
--------	----------	--------	--------	--------	--------	--------

Steel Skate Wheel Series

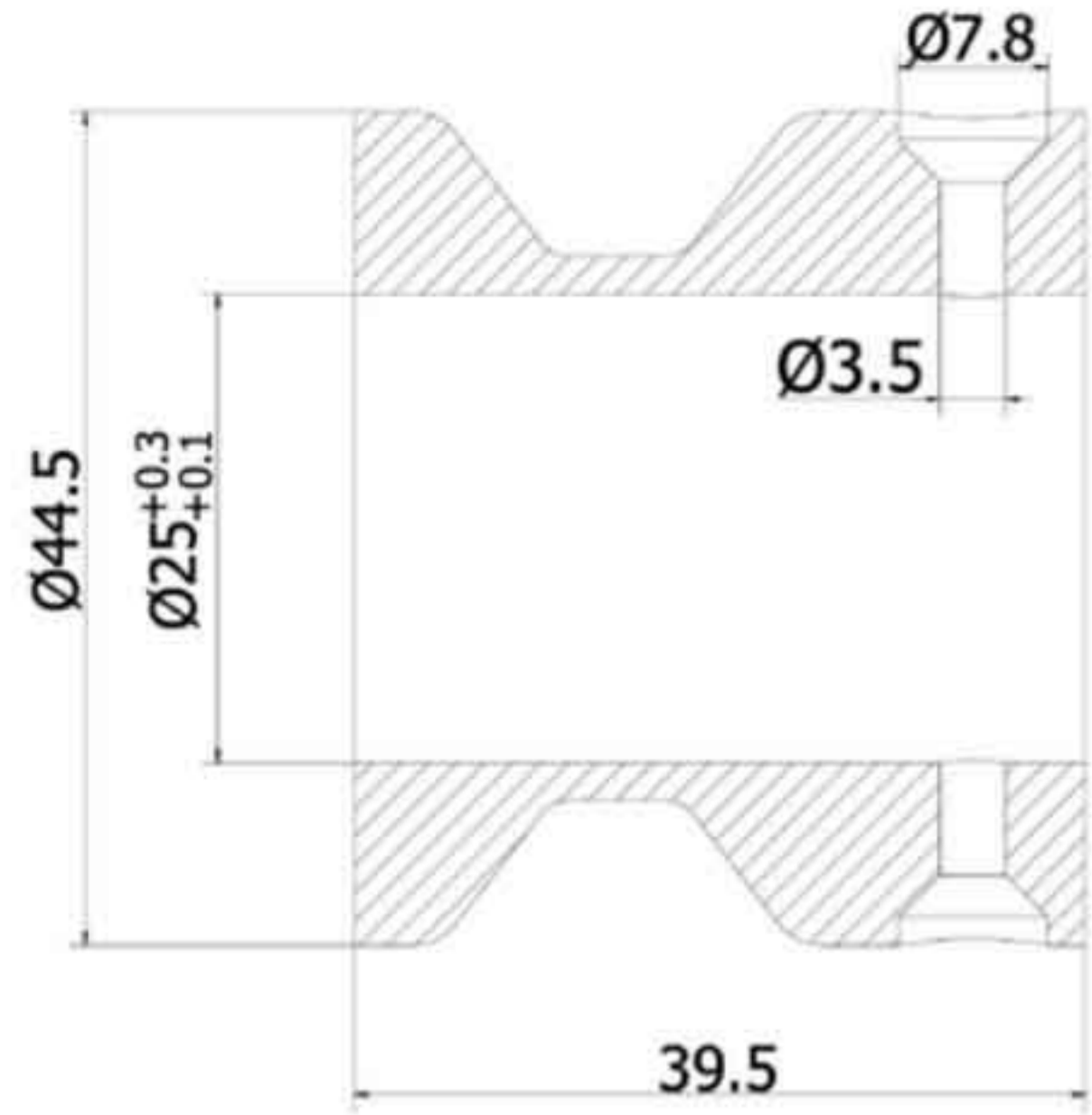


Model PR: Steel Skate Wheel

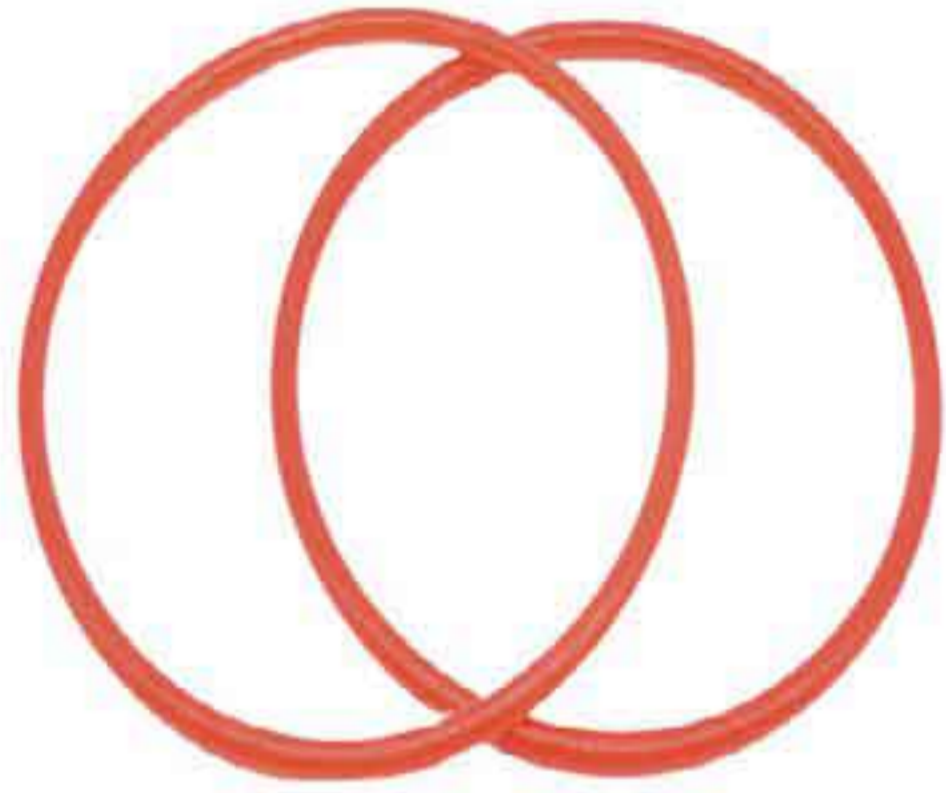
Model	Wheel OD	Wheel Width	Shaft ID	Shaft Width	Inside Part
	D/mm	W/mm	d/mm	W1/mm	
PX01	38	13	6	25	Steel Balls
PX02	49	16	6	24	Steel Balls
PX03	49	16	8	24	Steel Balls
PX04	38	13	8	20.6	Bearing
PX05	49	16	6	20.6	Bearing
PX06	49	16	8	20.6	Steel Balls
PX07	49	16	6	24	Bearing
PX08	49	16	8	24	Bearing

One of the steel skate wheel usage is to manufacture the flexible skate wheel conveyor. The wheel OD 49mm is typical for such kind of conveyor.

We can also customize and supply the flexible skate wheel conveyor directly too.



Model CC: Plastic Pulley-Matching With Model CD Pulyurethane Band



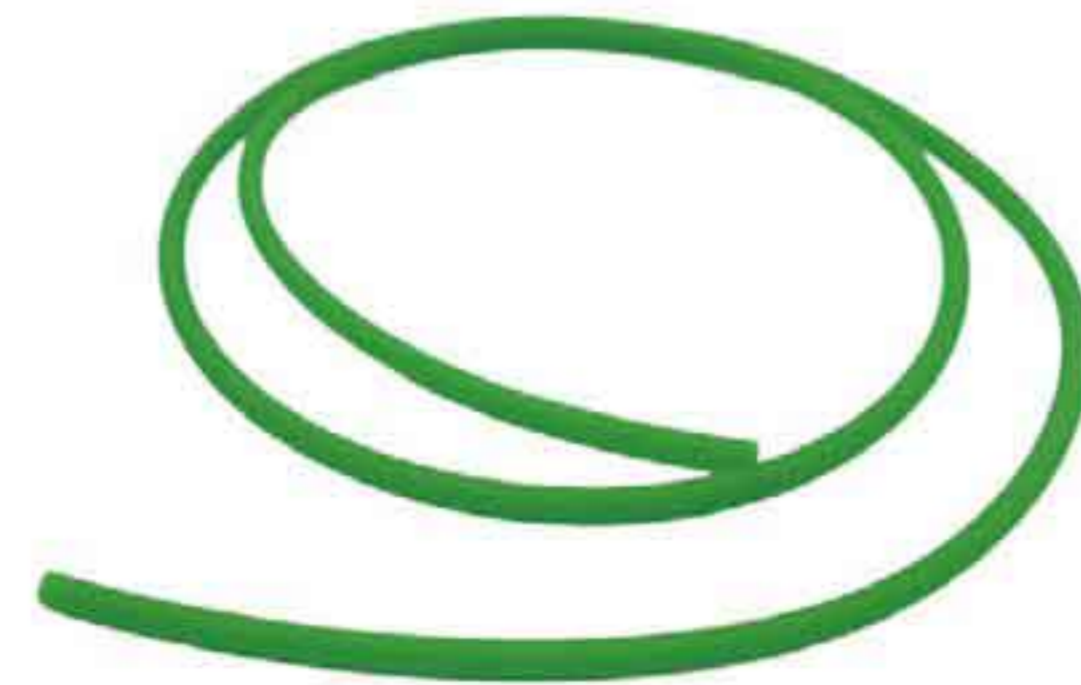
Endless Band-Smooth Surface



Endless Band-Rough Surface



Welded Band-Smooth Surface



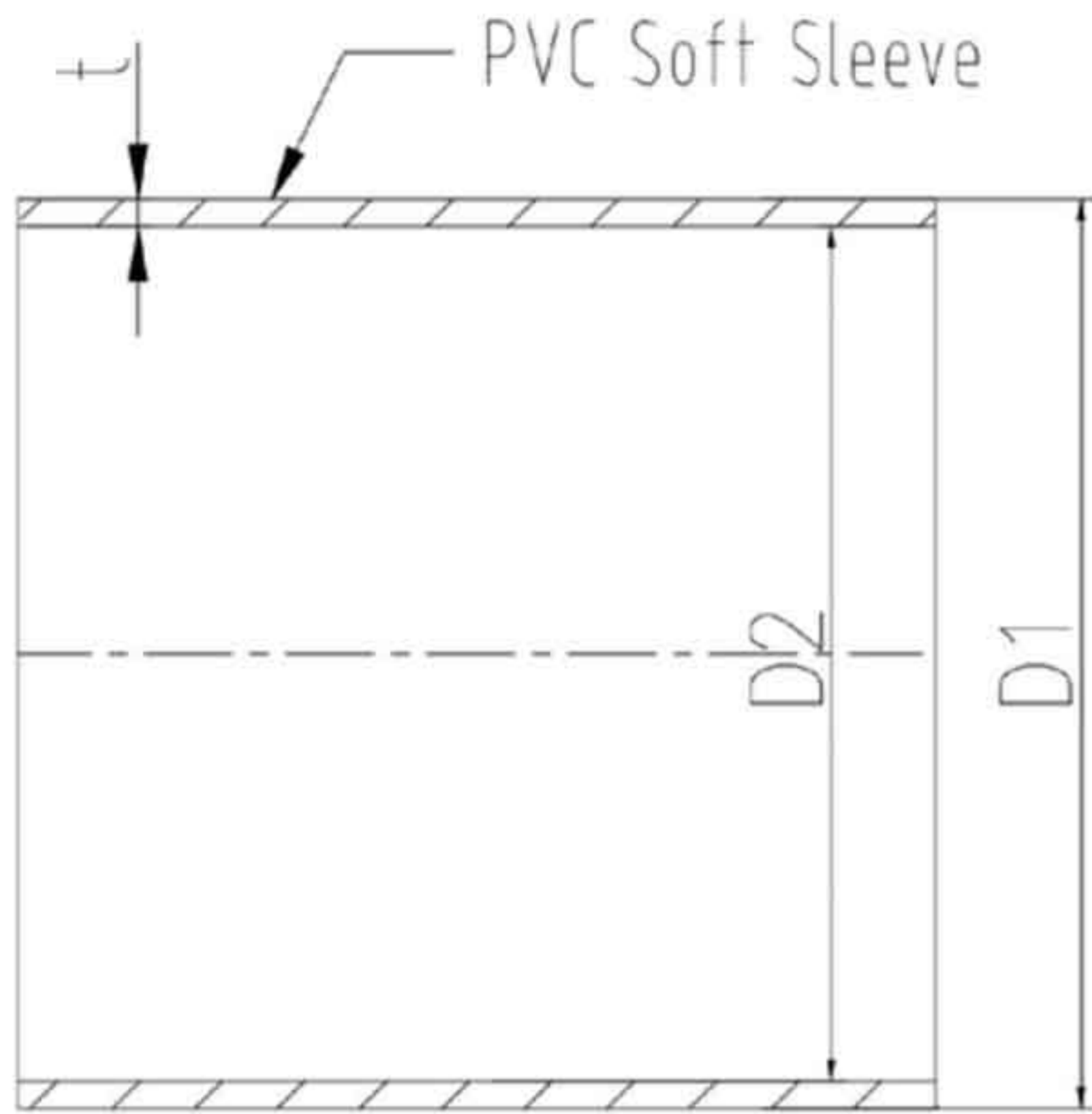
Welded Band-Rough Surface

Model CD: Pulyurethane Band-Endless Type

Endless Band-Smooth Surface			Endless Band-Rough Surface		
Model	Band Φ /mm	Max L/mm	Model	Band Φ /mm	Max L/mm
CD01	3	800	CA09	3	800
CD02	4	800	CA10	4	800
CD03	5	1200	CA11	5	1200
CD04	6	1200	CA12	6	1200
CD05	7	1200	CA13	7	1200
CD06	8	1450	CA14	8	1450
CD07	10	1100	CA15	10	1100
CD08	12	1000	CA16	12	1000

Model CD: Pulyurethane Band-Welded Type

Welded Band-Smooth Surface			Welded Band-Rough Surface		
Model	Band Φ /mm	Max L/mm	Model	Band Φ /mm	Max L/mm
CD17	2	Unlimited	CA26	2	Unlimited
CD18	3	Unlimited	CA27	3	Unlimited
CD19	4	Unlimited	CA28	4	Unlimited
CD20	5	Unlimited	CA29	5	Unlimited
CD21	6	Unlimited	CA30	6	Unlimited
CD22	7	Unlimited	CA31	7	Unlimited
CD23	8	Unlimited	CA32	8	Unlimited
CD24	10	Unlimited	CA33	10	Unlimited
CD25	12	Unlimited	CA34	12	Unlimited



Model CF: PVC Soft Sleeve, Colour: Black/Gray/Yellow/Green/Blue

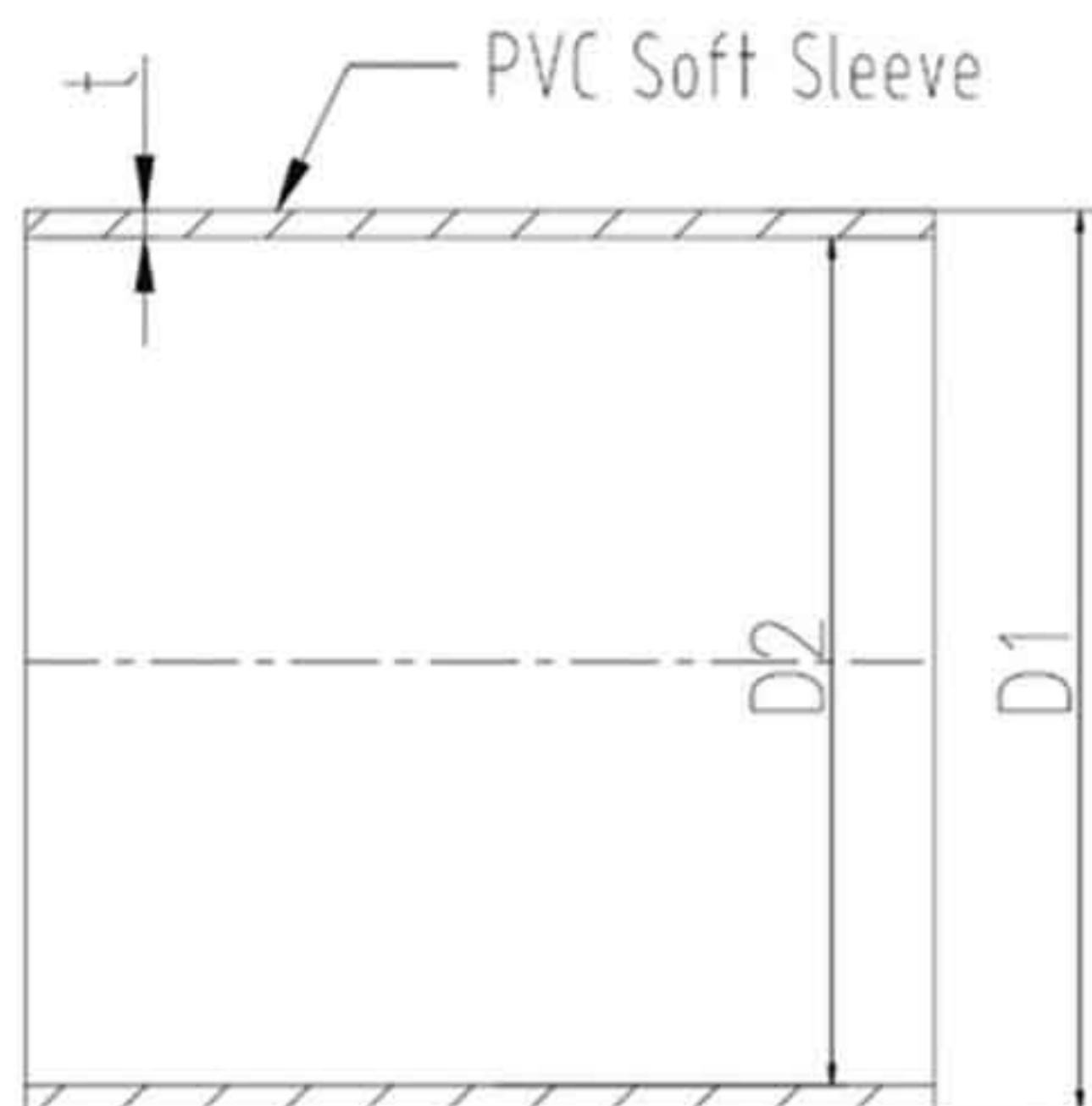
Model	PVC Sleeve ID	PVC Sleeve Thickness	Roller OD Before Coating	Roller OD After Coating
	D1/mm	t/mm	D2/mm	d/mm
CF01	15	1.5	16	19
CF02	18	1.5	20	23
CF03	22	1.5	25	28
CF04	29	1.5	32	35
CF05	35	2	38	42
CF06	36	2	40	44
CF07	36	3	40	46
CF08	36	5	40	50

Model	PVC Sleeve ID	PVC Sleeve Thickness	Roller OD Before Coating	Roller OD After Coating
	D1/mm	t/mm	D2/mm	d/mm
CF09	36	6	40	52
CF10	36	8	42	56
CF11	38	2	42	46
CF12	38	3	42	48
CF13	38	5	42	52
CF14	38	6	42	54
CF15	38	8	42	58
CF16	40	2	45	49
CF17	40	3	45	51
CF18	40	5	45	55
CF19	40	6	45	57
CF20	40	8	45	61
CF21	46	2	50	54
CF22	46	3	50	56
CF23	46	5	50	60
CF24	46	6	50	62
CF25	46	8	50	66
CF26	50	2	55	59
CF27	50	3	55	61
CF28	50	5	55	65
CF29	50	6	55	67

Conveyor Components Series



SZ ROLLER



Model CF: PVC Soft Sleeve

Model	PVC Sleeve ID	PVC Sleeve Thickness	Roller OD Before Coating	Roller OD After Coating
	D1/mm	t/mm	D2/mm	d/mm
CF30	50	8	55	71
CF31	56	2	60	64
CF32	56	3	60	66
CF33	56	5	60	70
CF34	56	6	60	72
CF35	56	8	60	76
CF36	72	2	76	80
CF37	72	3	76	82
CF38	72	5	76	86
CF39	72	6	76	92
CF40	72	8	76	96

